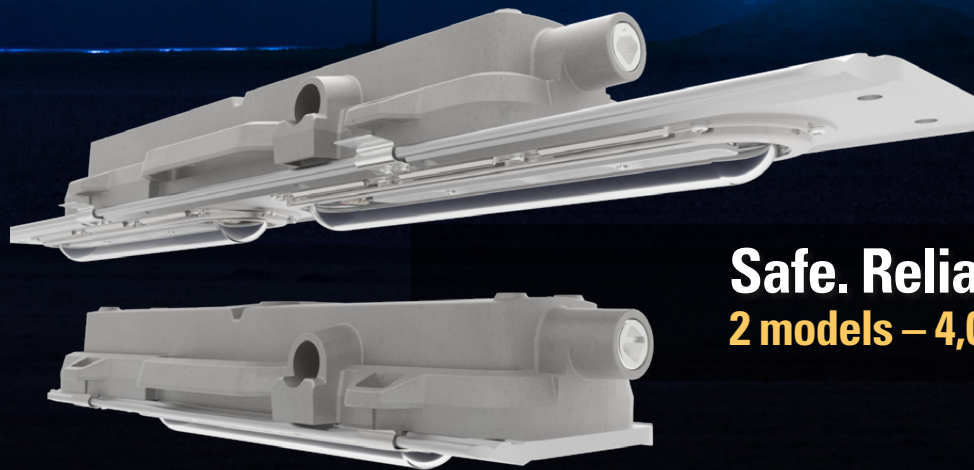


LED lighting for hazardous areas

CROUSE-HINDS
SERIES

Champ MLLA

LED lighting for hazardous areas



Safe. Reliable. Efficient.
2 models – 4,000 & 8,000 lumens

EATON

Powering Business Worldwide

Specifications

Certifications:

NEC/CEC standards:

- Class I, Division 2, Groups A, B, C, D
- Class I, Zone 2
- Class II, Division 1, Groups E, F, G
- Class III
- Type 4X; IP66/67
- Marine and Wet Locations

UL standards:

- UL844 Electrical Fixture Hangers for Hazardous Locations
- UL924 for Emergency Lighting Equipment (EM model)
- UL1598 Luminaire
- UL1598A Luminaire for Installation on Marine Vessels
- UL 8750 Standard for Light Emitting Diode (LED) Equipment for Use in Lighting Products

CSA standard:

- C22.2 No. 137, 141 and 250

Electrical ratings:

UNV1	Input power (watts)	Input amps at 120-277 VAC
MLLA2	30.3	0.25
MLLA4	58.9	0.49

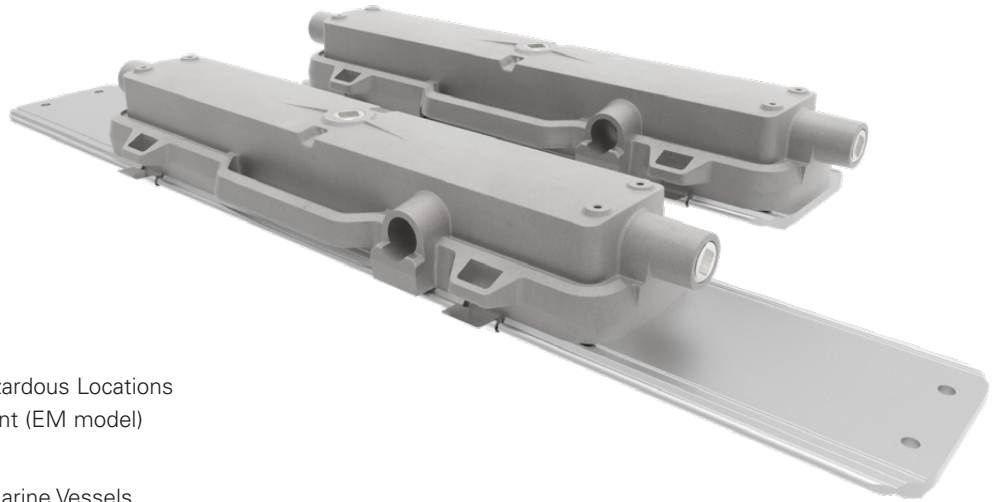
UNV1	
Voltage range, VAC	120-277V at 50/60 Hz
Voltage range, VDC	127/250V

UNV1	Power factor	THD
MLLA2	>0.92	<6.5%
MLLA4	>0.94	<6.2%

UNV34	Input power (watts)	Input amps at 347-480 VAC
MLLA2	31.1	0.09
MLLA4	54.6	0.16

UNV34	
Voltage range, VAC	347-480V at 50/60 Hz

UNV34	Power factor	THD
MLLA2	>0.95	<18%
MLLA4	>0.98	<10%



Mounting:

Versatile mounting options:

- Flush back mount
- Swivel/ceiling back mount
- Offset ceiling/wall mount
- Pole mount
- Pendant mount

Materials:

Housing:

- Copper-free aluminum
- Optional Corro-free™ epoxy powder coat

Lens:

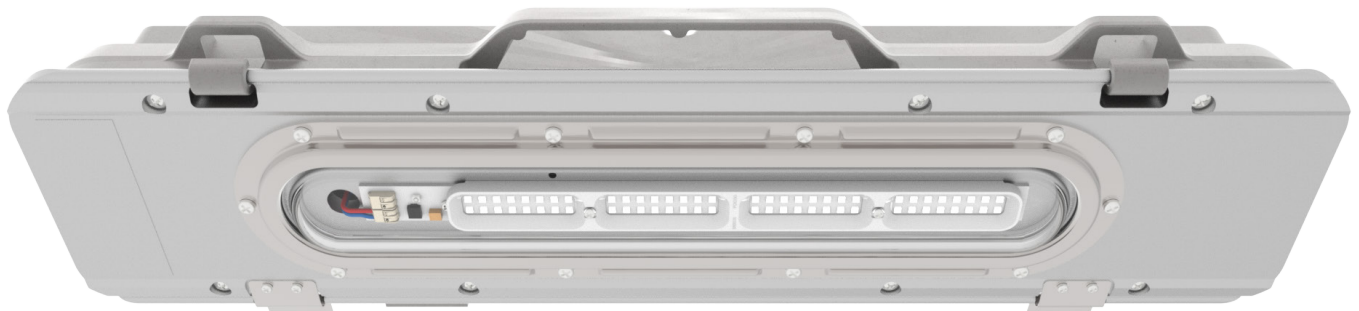
- Clear glass or polycarbonate
- Diffused glass or polycarbonate

Temperature codes:

Ambient temperature	Min. temp. wire supply	Class I, Div. 2	Class II, Div. 1	Simultaneous rating
				Class I, Div. 2, Class II, Div. 1
40°C	75°C	T6	T6	T6
55°C	75°C	T5	T5	T5
65°C	90°C	T4A	T4A	T4A

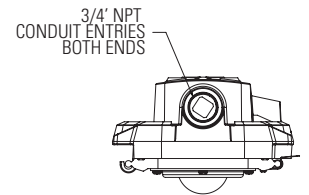
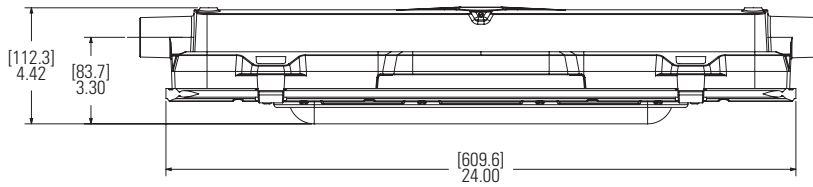
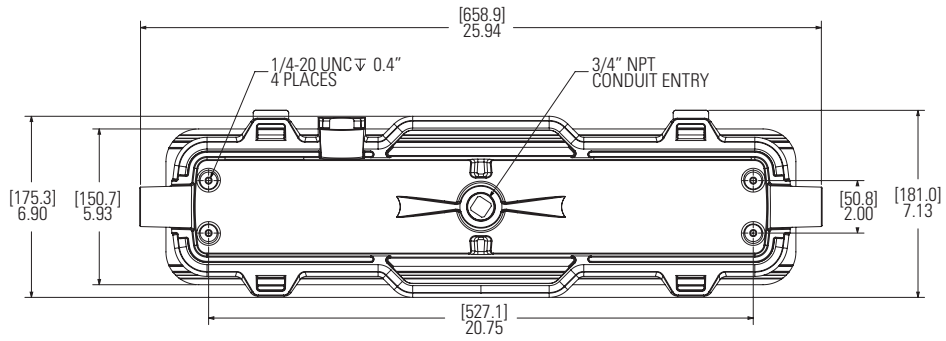
Weights:

Luminaire	lbs.	kg.
MLLA2	15.1	6.8
MLLA4	19.5	8.9

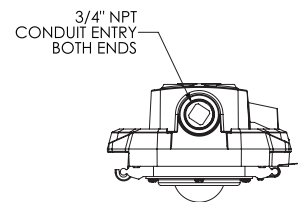
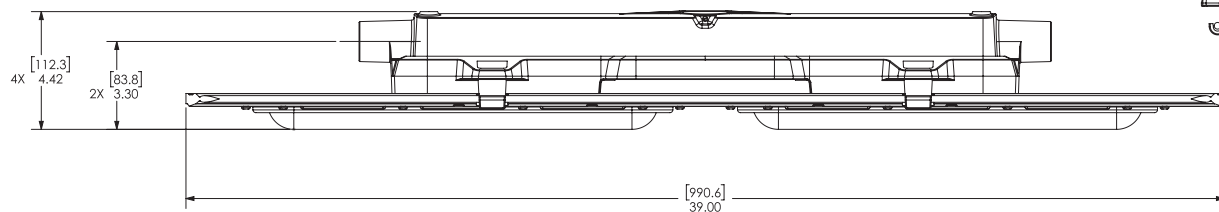
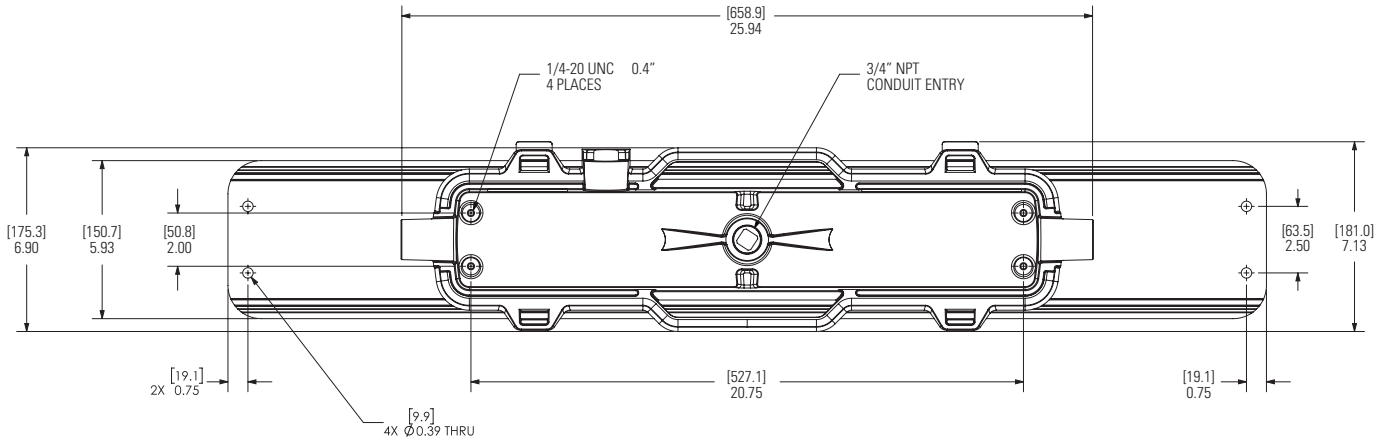


Dimensions

MLLA2-M2

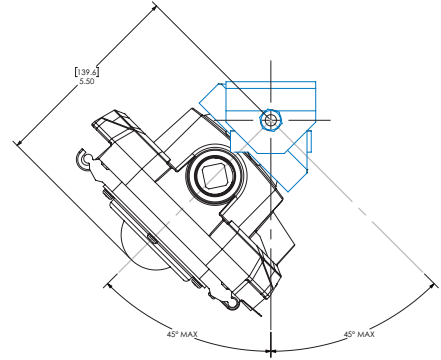
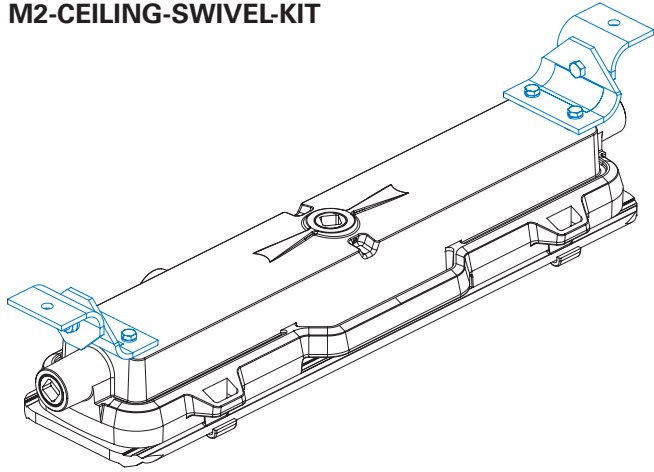


MLLA4-M2

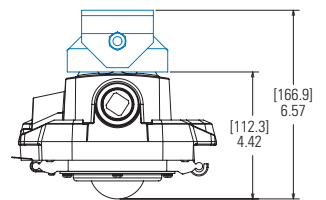
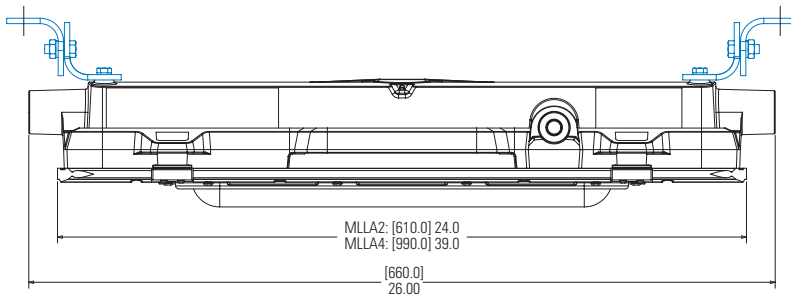
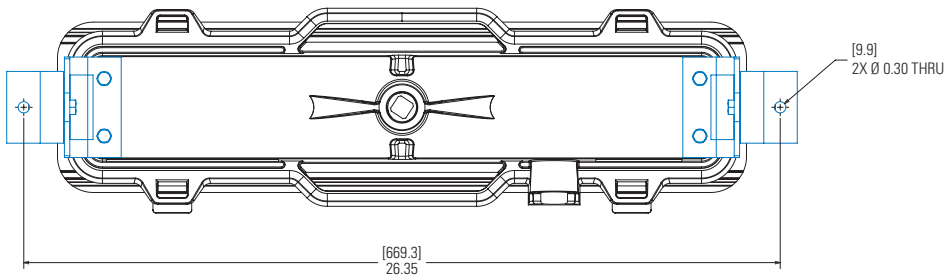


Mounting options

Ceiling mount swivel kit M2-CEILING-SWIVEL-KIT



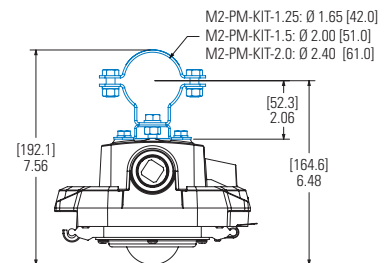
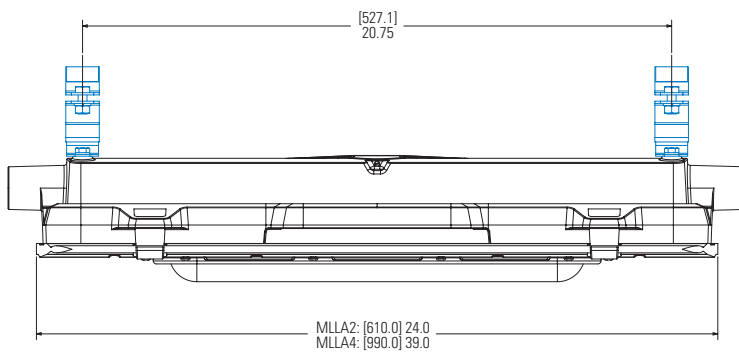
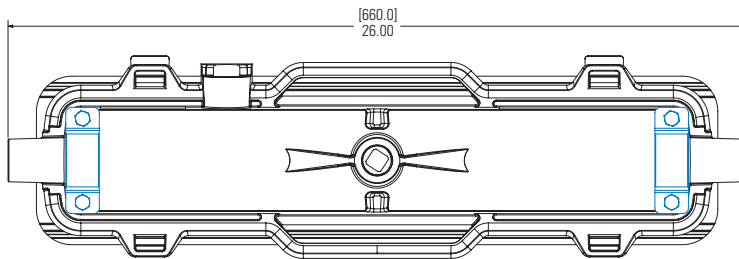
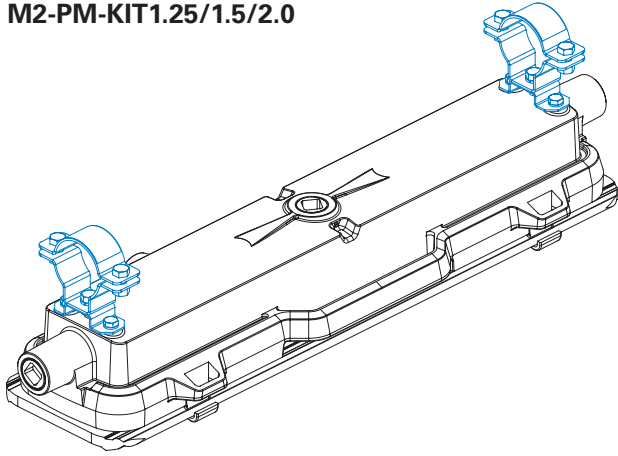
MAXIMUM ROTATION, CEILING SWIVEL MOUNT



Mounting options

Pole mount kit

M2-PM-KIT1.25/1.5/2.0



Mounting options

Pendant mount

