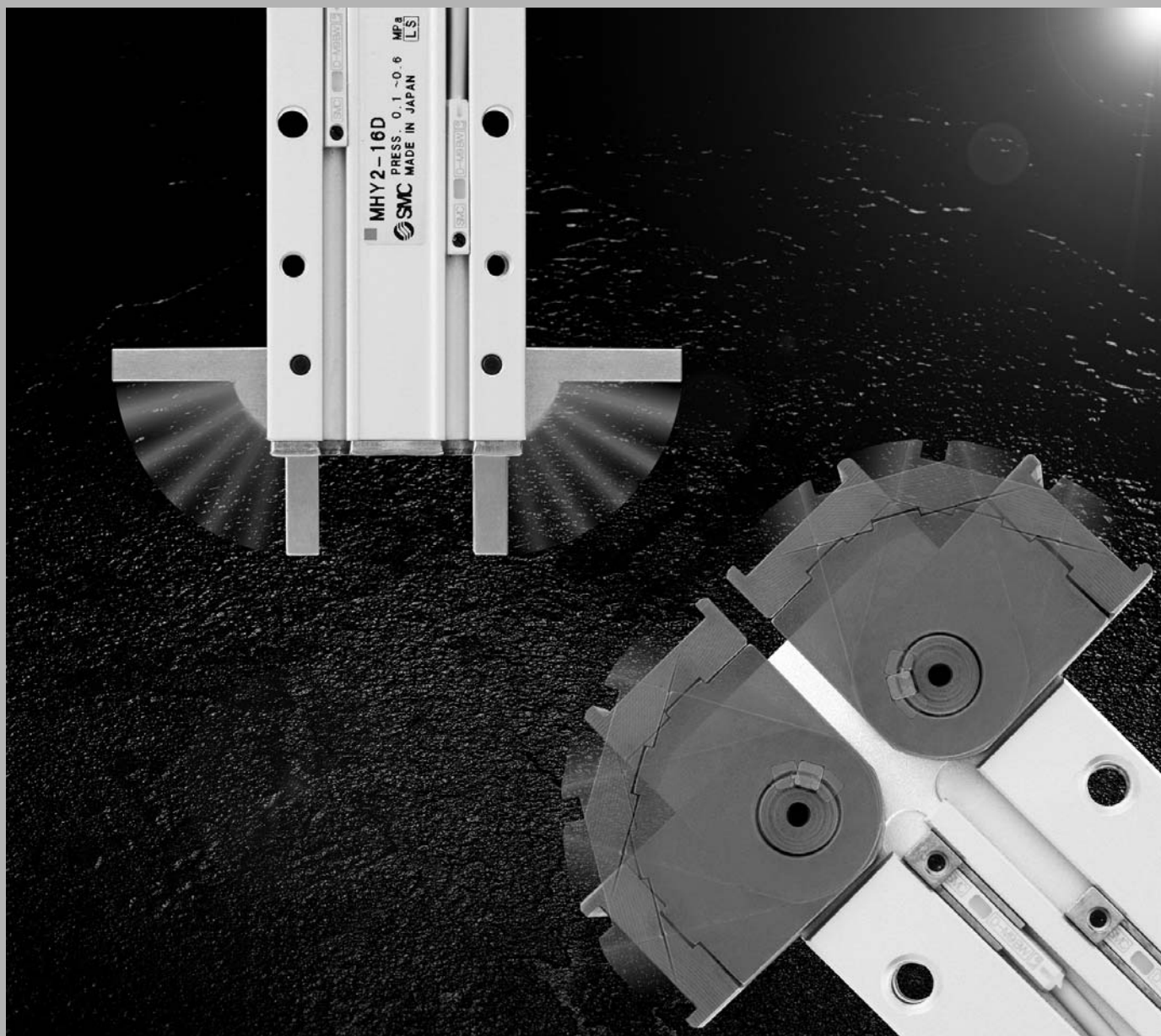


# 180° Angular Style Air Gripper

## Series *MHY2/MHW2*

Cam Style / Rack & Pinion Style



MHZ

MHF

MHL

MHR

MHK

MHS

MHC

MHT

**MHY**

**MHW**

-X□

MRHQ

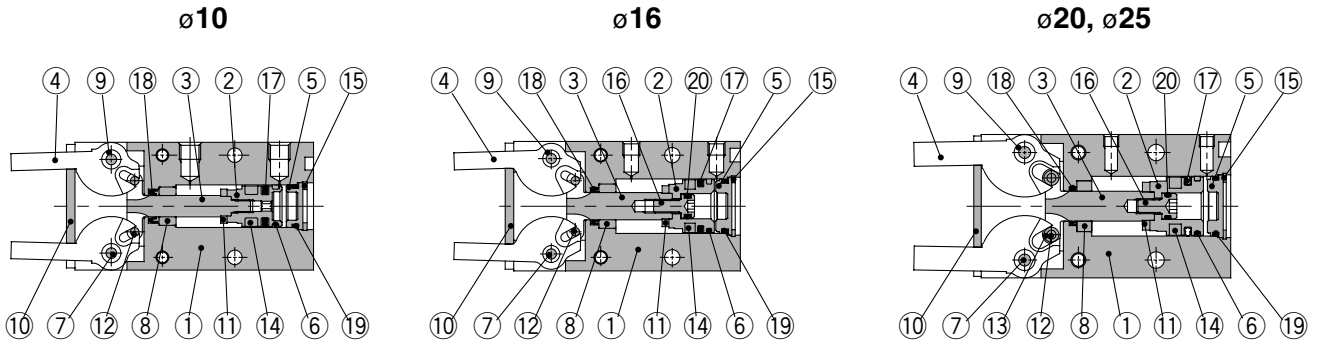
MA

D-□

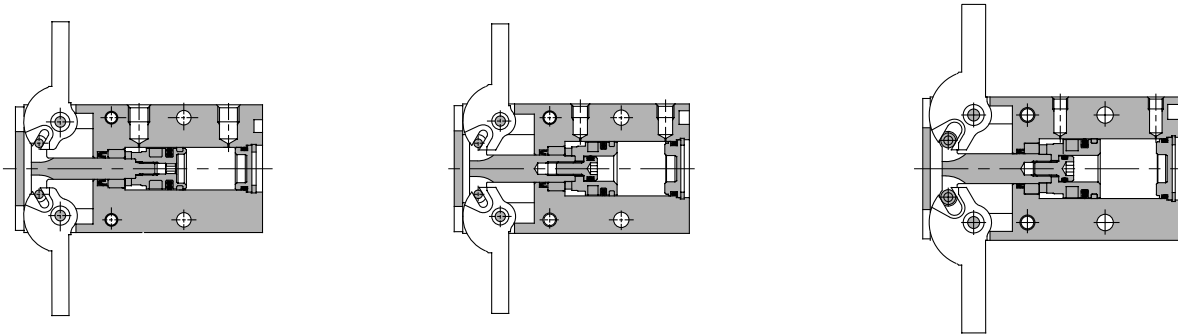
# Series MHY2

## Construction

### Closed condition



### Open condition



### Component Parts

No.	Description	Material	Note
①	<b>Body</b>	Aluminum alloy	Hard anodized
②	<b>Piston</b>	ø10: Stainless steel ø16 to 25: Aluminum alloy	ø16 to 25: Chromated
③	<b>Joint</b>	Stainless steel	Heat treated
④	<b>Finger</b>	Stainless steel	Heat treated
⑤	<b>Cap</b>	Resin	
⑥	<b>Wear ring</b>	Resin	
⑦	<b>Shaft</b>	Stainless steel	Nitriding
⑧	<b>Bushing A</b>	Sintered alloy steel	

No.	Description	Material	Note
⑨	<b>Bushing B</b>	Sintered alloy steel	
⑩	<b>End plate</b>	Stainless steel	
⑪	<b>Bumper</b>	Urethane rubber	
⑫	<b>Needle roller</b>	High carbon chrome bearing steel	
⑬	<b>Joint roller</b>	Carbon steel	Nitriding
⑭	<b>Rubber magnet</b>	Synthetic rubber	
⑮	<b>Type C retaining ring</b>	Carbon steel	Nickel plated
⑯	<b>Piston bolt</b>	Stainless steel	

### Replacement Parts

Description		MHY2-10D	MHY2-16D	MHY2-20D	MHY2-25D	Main parts
<b>Seal kit</b>		MHY10-PS	MHY16-PS	MHY20-PS	MHY25-PS	<ø10> ⑬⑮⑯⑰ <ø16, ø20, ø25> ⑬⑮⑯⑰⑱
<b>Finger assembly</b>	MHY2-□D	MHY-A1001	MHY-A1601	MHY-A2001	MHY-A2501	④ ⑨
	MHY2-□D2	MHY-A1001-2	MHY-A1601-2	MHY-A2001-2	MHY-A2501-2	
<b>Joint assembly</b>		MHY-A1002	MHY-A1602	MHY-A2002	MHY-A2502	<ø10, ø16> ③⑫ <ø20, ø25> ③⑫⑬

\* Order 1 piece of finger assembly per one unit.

Replacement part/grease pack part no. : MH-G04 (30g)