

# Multifunction Terminal

## MFT-\*



- Suitable for fusing solenoids, alarm indicators, sounders etc, and diode decoupling of power supplies
- Simple OR gate for zone 1 mounting, visible separation for field devices, relay switches
- Bus termination
- Current limiting
- DIN rail mounting
- Maintenance without hot work permit
- Wires can be disconnected during operation once the module has been removed (parts under voltage remain covered)

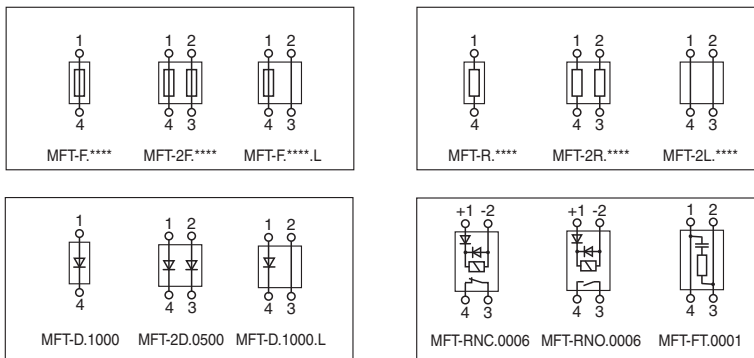
Multifunction terminal, allows maintenance work to be carried out in hazardous areas without a hot work permit



### Function

The multifunction terminal allows maintenance without a hot work permit in a hazardous area. It employs a 2-step removal process, which guarantees that a potentially formed ignition spark remains inside the flameproof enclosure when lifting off a module and thus makes sure that the ignition spark has extinguished and the module is volt-free.

### Connection



### Technical Data

#### General specifications

Function The specific device function can be found in the ordering information section.

#### Electrical specifications

Resistor	1 x 1 Ω ... 22 MΩ, 0.5 W 2 x 1 Ω ... 22 MΩ, 0.5 W
Diode	1 x I max. 1 A 2 x I max. 0.5 A
Fuse	0.032 ... 1.5 A 1.5 ... 6.3 A Pre-arcing time/current characteristic: time-lag T
Nominal voltage	max. 250 V AC max. 30 V DC
Relay	

Release date: 2021-03-24 Date of issue: 2021-03-24 Filename: t40921\_eng.pdf

Refer to "General Notes Relating to Pepperl+Fuchs Product Information".

Pepperl+Fuchs Group  
www.pepperl-fuchs.com

USA: +1 330 486 0002  
pa-info@us.pepperl-fuchs.com

Germany: +49 621 776 2222  
pa-info@de.pepperl-fuchs.com

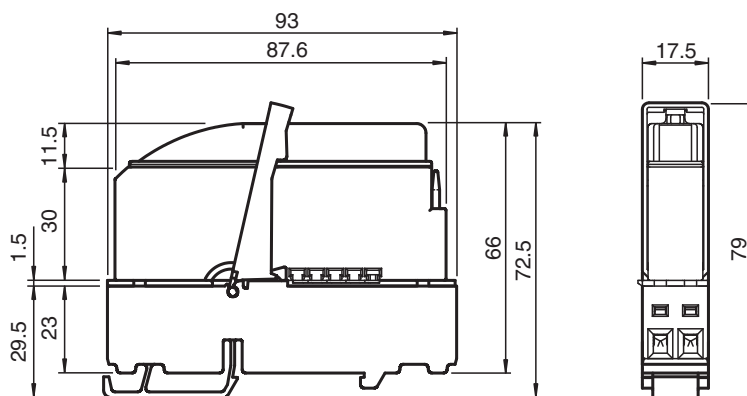
Singapore: +65 6779 9091  
pa-info@sg.pepperl-fuchs.com

**PEPPERL+FUCHS**



## Technical Data

Control	24 V , approx. 5 ... 8.5 mA
Contact loading	AC max. 250 V , max. 1 A DC max. 30 V , max. 1 A
Contact resistance	0.1 $\Omega$ at 6 V, 1 A
Switching operations NO contact	3 x 10 <sup>4</sup>
Switching operations NC contact	1 x 10 <sup>4</sup>
<b>Directive conformity</b>	
Electromagnetic compatibility	
Directive 2014/30/EU	EN 61326-1:2013 (industrial locations)
<b>Conformity</b>	
Degree of protection	IEC 60529:2001
<b>Ambient conditions</b>	
Ambient temperature	-55 ... 55 °C (-67 ... 131 °F) ( $I_m = 1.5 \dots 6.3$ A) -55 ... 70 °C (-67 ... 158 °F) ( $I_m = 0.032 \dots 1.5$ A) The specific ambient temperature can be found in the ordering information section.
<b>Mechanical specifications</b>	
Core cross-section	0.5 ... 2.5 mm <sup>2</sup>
Degree of protection	IP20 , IP30 when plug-in module is plugged in
Mass	approx. 115 g , depending on model
Dimensions	93 x 17.5 x 79 mm (l x w x h)
Tightening torque	0.5 ... 1 Nm
<b>Data for application in connection with hazardous areas</b>	
EU-type examination certificate	PTB 07 ATEX 1004 U
Marking	Ⓜ II 2 G Ex d e IIC
Directive conformity	
Directive 2014/34/EU	EN IEC 60079-0:2018+AC:2020 , EN 60079-1:2014 , EN 60079-7:2015+A1:2018
<b>International approvals</b>	
IECEX approval	
IECEX certificate	IECEX BKI 08.0008U
IECEX marking	Ex d e IIC Gb
Marine approval	
DNV GL Marine	TAA0000034
<b>General information</b>	
Ordering information	Customer-specific values are available in the E96 series. Minimum order quantity 50 pieces.
Supplementary information	Observe the certificates, declarations of conformity, instruction manuals, and manuals where applicable. For information see <a href="http://www.pepperl-fuchs.com">www.pepperl-fuchs.com</a> .

## Dimensions



**Accessories**

	<b>MFT-BASE.4P</b>	Multifunction terminal socket, 4-pin
	<b>MFT-BASE.2P</b>	Multifunction terminal socket, 2-pin

## Product Versions

Function	Order Code	Variants	Additional Requirements	Ambient Temperature	
				-55 ... +55 °C	-55 ... +70 °C
Multi Function Modules					
1 resistor		MFT-R.****	max. 0.5 W		X
2 identical resistors	MFT-2R.1000	MFT-2R.****		X	
customer-specific resistors			minimum order quantity 50 pieces		
1 diode	MFT-D.1000	MFT-D.****	diode 230 V, 1 A	X	
1 diode + 1 jumper	MFT-D.1000.L	MFT-D.****.L	diode 230 V, 1 A	X	
2 diodes	MFT-2D.0500	MFT-2D.****	diodes 230 V, 0.5 A	X	
1 fuse	MFT-F.0315	MFT-F.****	max. 1.5 A > 1.5 A	X	X
1 fuse + 1 jumper	MFT-F.1000.L	MFT-F.****.L	max. 1.5 A > 1.5 A	X	X
2 identical fuses	MFT-2F.0500	MFT-2F.****	max. 2 x 3.15 A	X	
2 jumpers	MFT-2L.1600	MFT-2L.****			X
bus terminator PA, FF	MFT-FT.0001				X
NO	MFT-RNO.0006		relay 230 V, 1 A		-40 ... 70 °C
NC	MFT-RNC.0006		relay 230 V, 1 A		-40 ... 70 °C
Sockets					
2-pin	MFT-BASE.2P				X
4-pin	MFT-BASE.4P				X

Note: sockets must be ordered separately.