

Automation systems
Drive solutions

Controls
Inverters

Motors

Gearboxes
Engineering Tools

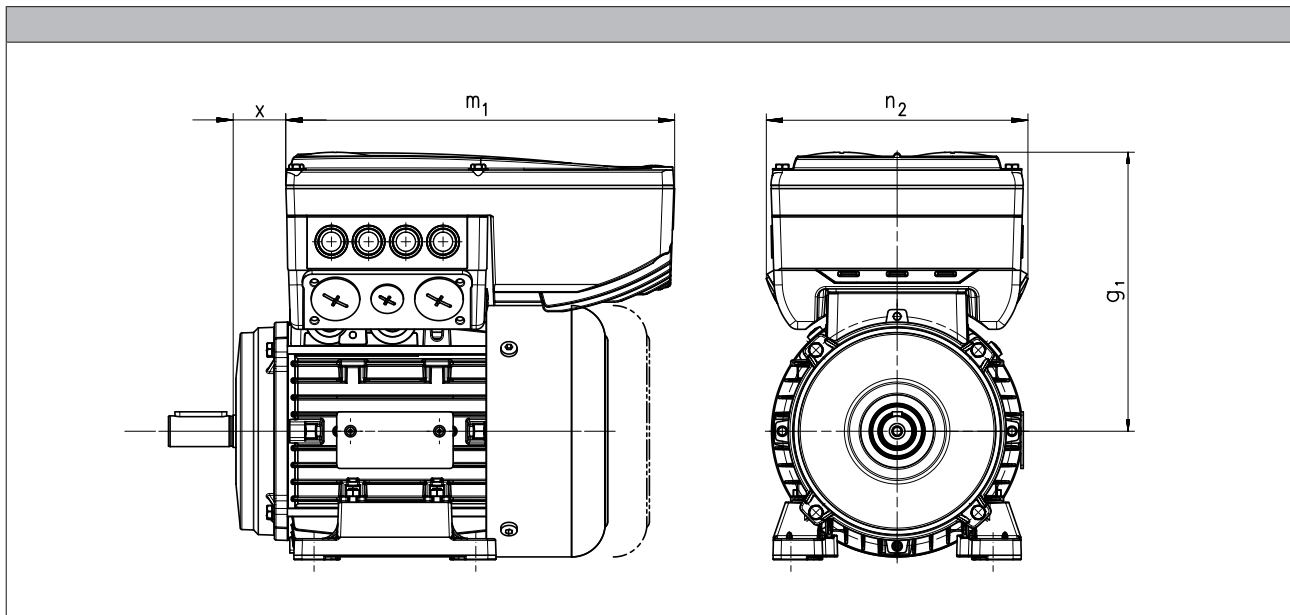
MD three-phase AC motors

Technical data



Dimensions, 8400 motec inverter

Rated frequency 50/60 Hz



Product key					
Motor	Inverter	$g_{1, 50Hz}$ [mm]	$m_{1, 50Hz}$ [mm]	$n_{2, 50Hz}$ [mm]	x_{50Hz} [mm]
MD□□□□□071-32	E84DVB□3714S□□□□2□	163			29.5
MD□□□□□071-42	E84DVB□5514S□□□□2□				
MD□□□□□080-12		172	241	161	32.5
MD□□□□□080-32	E84DVB□7514S□□□□2□				
MD□□□□□080-42	E84DVB□1124S□□□□2□	177			36.2
MD□□□□□090-12					
MD□□□□□090-32	E84DVB□1524S□□□□2□	217	260	176	42.4
MD□□□□□100-12	E84DVB□2224S□□□□2□				
MD□□□□□100-32	E84DVB□3024S□□□□2□	282			32.0
MD□□□□□112-22	E84DVB□4024S□□□□2□				
MD□□□□□132-12	E84DVB□5524S□□□□2□	301	325	195	47.5
MD□□□□□132-22	E84DVB□7524S□□□□2□				

5.7