

MCR-C-I-I-00-DC - Signal conditioner



2814508

<https://www.phoenixcontact.com/il/products/2814508>

Please be informed that the data shown in this PDF document is generated from our Online Catalog. Please find the complete data in the user documentation. Our General Terms of Use for Downloads are valid.



MCR 3-way signal conditioner, for electrical isolation of analog signals, input signal: 0(4) mA ... 20 mA, output signal: 0(4) mA ... 20 mA. Replacement part: 2901998 MINI MCR-2-I-I.

Your advantages

- Fixed setting of input and output signals
- Processing of standard signals
- 3-way isolation

Commercial Data

Item number	2814508
Packing unit	5 pc
Minimum order quantity	1 pc
Product Key	CK1811
Catalog Page	Page 131 (C-7-2013)
GTIN	4017918156190
Weight per Piece (including packing)	81.66 g
Weight per Piece (excluding packing)	74.46 g
Customs tariff number	85437090
Country of origin	DE

MCR-C-I-I-00-DC - Signal conditioner



2814508

<https://www.phoenixcontact.com/il/products/2814508>

Technical Data

Product properties

Product type	Signal conditioner
No. of channels	1

Electrical properties

No. of channels	1
Electrical isolation between input and output	yes
Limit frequency (3 dB)	30 Hz
Maximum power dissipation for nominal condition	450 mW
Test voltage, input/output/supply	1.5 kV AC (50 Hz, 60 s)
Protective circuit	Transient protection
Step response (10-90%)	11 ms
Maximum temperature coefficient	< 0.015 %/K
Maximum transmission error	≤ 0.2 % (of final value)
Transmission error, typical	0.1 % (of final value)

Supply

Supply voltage range	20 V DC ... 30 V DC
Typical current consumption	< 15 mA (without load)

Input data

Signal

Description of the input	Current input
Number of inputs	1
Configurable/programmable	no
Current input signal	0 mA ... 20 mA 4 mA ... 20 mA
Max. current input signal	50 mA
Input resistance current input	50 Ω

Output data

Signal: Current output

Number of outputs	1
Configurable/programmable	no
Current output signal	0 mA ... 20 mA 4 mA ... 20 mA
Max. current output signal	30 mA
Load/output load current output	≤ 500 Ω
Linear transmission range (in reference to the output range end value)	0 % ... 105 %

MCR-C-I-I-00-DC - Signal conditioner

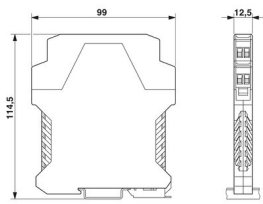
2814508

<https://www.phoenixcontact.com/il/products/2814508>

Connection data

Connection method	Pluggable screw connection
Stripping length	8 mm
Screw thread	M3
Conductor cross section solid	0.2 mm ² ... 2.5 mm ²
Conductor cross section flexible	0.2 mm ² ... 2.5 mm ²
Conductor cross section AWG	24 ... 14

Dimensions

Dimensional drawing	
Width	12.5 mm
Height	99 mm
Depth	114.5 mm

Material specifications

Housing material	Polyamide PA non-reinforced
------------------	-----------------------------

Environmental and real-life conditions

Ambient conditions

Ambient temperature (operation)	-25 °C ... 60 °C
---------------------------------	------------------

Approval data

CE

Certificate	CE-compliant
-------------	--------------

Mounting

Mounting type	DIN rail mounting
Mounting position	any

MCR-C-I-I-00-DC - Signal conditioner

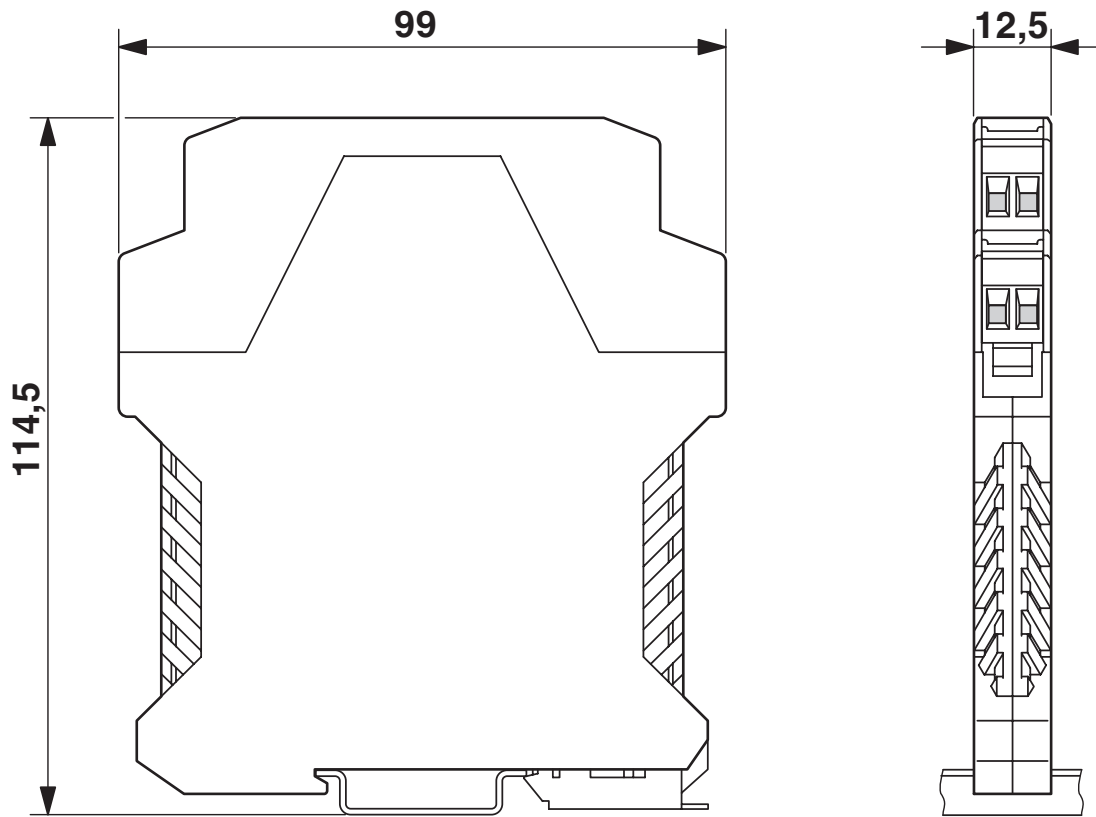
2814508

<https://www.phoenixcontact.com/il/products/2814508>

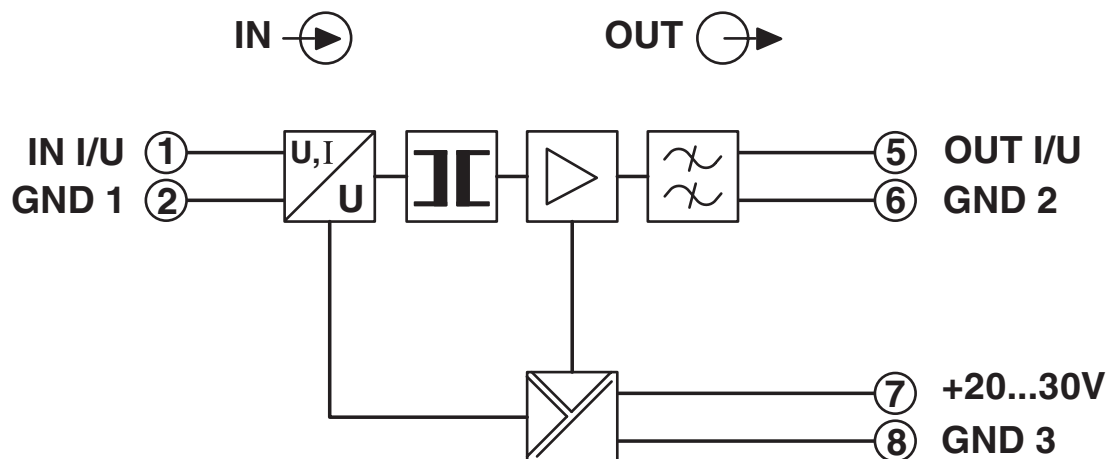


Drawings

Dimensional drawing



Circuit diagram



MCR-C-I-I-00-DC - Signal conditioner



2814508

<https://www.phoenixcontact.com/il/products/2814508>

Classifications

ECLASS

ECLASS-9.0	27210120
ECLASS-10.0.1	27210120
ECLASS-11.0	27210120

ETIM

ETIM 8.0	EC002653
----------	----------

UNSPSC

UNSPSC 21.0	39121000
-------------	----------

MCR-C-I-I-00-DC - Signal conditioner



2814508

<https://www.phoenixcontact.com/il/products/2814508>

Environmental Product Compliance

China RoHS	Environmentally Friendly Use Period = 50 years For information on hazardous substances, refer to the manufacturer's declaration available under "Downloads"
------------	--

MCR-C-I-I-00-DC - Signal conditioner



2814508

<https://www.phoenixcontact.com/il/products/2814508>

Accessories

DB 50- 90 GY - Wire bridge

2820929

<https://www.phoenixcontact.com/il/products/2820929>

Flexible wire loop bridge, 50-pos., conductor cross-section: 0.5 mm², loop length: 90 mm, ferrule length: 8 mm, color: gray



DB 50- 90 BK - Wire bridge

2820916

<https://www.phoenixcontact.com/il/products/2820916>

Flexible wire loop bridge, 50-pos., conductor cross-section: 0.5 mm², loop length: 90 mm, ferrule length: 8 mm, color: black



MCR-C-I-I-00-DC - Signal conditioner

2814508

<https://www.phoenixcontact.com/il/products/2814508>



DB 50- 90 BU - Wire bridge

2821180

<https://www.phoenixcontact.com/il/products/2821180>

Flexible wire loop bridge, 50-pos., conductor cross-section: 0.5 mm², loop length: 90 mm, ferrule length: 8 mm, color: blue



Phoenix Contact 2023 © - all rights reserved

<https://www.phoenixcontact.com>

PHOENIX CONTACT Israel Ltd.
P.O.B. 1799 Industrial Park Hasharon
Quadima 60920
+972-9-8915700
info@phoenixcontact.co.il