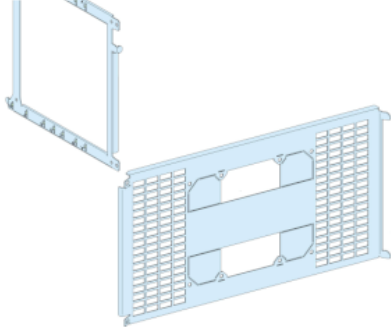


# Product datasheet

Specifications



## MOUNTING PLATE FOR NS FIXED -3P/4P 1600A VERTICAL IN WIDTH 650

LVS03482

**Price\* : 3,044.72 ZAR**

### Main

<b>Range</b>	PrismaSeT
<b>Range of product</b>	PrismaSeT P
<b>Product or component type</b>	Mounting plate
<b>Accessory / separate part category</b>	Installation accessory
<b>Range compatibility</b>	PrismaSeT PrismaSeT P cubicle
<b>Installation description</b>	Cubicle - width 650 mm depth 400 mm Cubicle - width 650 mm depth 800 mm
<b>Installed device</b>	ComPact: fixed NS1250 - control: toggle - vertical installation ComPact: fixed NS1250 - control: direct front rotary handle - vertical installation ComPact: fixed NS1250 - control: motor mechanism - vertical installation ComPact: fixed NS1600 - control: toggle - vertical installation ComPact: fixed NS1600 - control: direct front rotary handle - vertical installation ComPact: fixed NS1600 - control: motor mechanism - vertical installation ComPact: fixed NS630b...1000 - control: toggle - vertical installation ComPact: fixed NS630b...1000 - control: direct front rotary handle - vertical installation ComPact: fixed NS630b...1000 - control: motor mechanism - vertical installation
<b>Poles description</b>	1 x 3P: fixed NS1250 vertical installation 1 x 4P: fixed NS1250 vertical installation 1 x 3P: fixed NS1600 vertical installation 1 x 4P: fixed NS1600 vertical installation 1 x 3P: fixed NS630b...1000 vertical installation 1 x 4P: fixed NS630b...1000 vertical installation
<b>Number of vertical modules [50 mm]</b>	17 module(s): NS1250, front connection on Canalis in 650 mm Widecubicle 16 module(s): NS1250, rear connection on Canalis in 650 mm Widecubicle 14 module(s): NS1250, front connection on adaptor in 650 mm Widecubicle 10 module(s): NS1250, rear connection on adaptor in 650 mm Widecubicle 16 module(s): NS1600, rear connection on Canalis in 650 mm Widecubicle 14 module(s): NS1600, front connection on adaptor in 650 mm Widecubicle 10 module(s): NS1600, rear connection on adaptor in 650 mm Widecubicle 17 module(s): NS630b...1000, front connection on Canalis in 650 mm Widecubicle 16 module(s): NS630b...1000, rear connection on Canalis in 650 mm Widecubicle 12 module(s): NS630b...1000, front connection on adaptor in 650 mm Widecubicle 10 module(s): NS630b...1000, rear connection on adaptor in 650 mm Widecubicle
<b>Standards</b>	IEC 61439-2
<b>Product certifications</b>	ASTA
<b>Complementary</b>	
<b>Material</b>	Sheet steel
<b>Protective treatment</b>	Electrophoresis treatment and hot-polymerised polyester epoxy powder
<b>Surface finish</b>	Matt Textured

\* Excluding VAT and subject to change. Please check with your local distributor through "Where to buy"



650 mm 400 mm PrismaSeT P cubicle ComPact NS630b...1000 fixed toggle vertical 3P 1 front connection on Canalis 17 387.5 mm  
650 mm 400 mm PrismaSeT P cubicle ComPact NS630b...1000 fixed direct front rotary handle vertical 3P 1 front connection on Canalis 17 387.5 mm  
650 mm 800 mm PrismaSeT P cubicle ComPact NS630b...1000 fixed toggle vertical 3P 1 rear connection on Canalis 16 337.5 mm  
650 mm 800 mm PrismaSeT P cubicle ComPact NS630b...1000 fixed direct front rotary handle vertical 3P 1 rear connection on Canalis 16 337.5 mm  
650 mm 400 mm PrismaSeT P cubicle ComPact NS630b...1000 fixed toggle vertical 3P 1 front connection on adaptor 12 137.5 mm  
650 mm 400 mm PrismaSeT P cubicle ComPact NS630b...1000 fixed direct front rotary handle vertical 3P 1 front connection on adaptor 12 137.5 mm  
650 mm 400 mm PrismaSeT P cubicle ComPact NS630b...1000 fixed motor mechanism vertical 3P 1 front connection on Canalis 17 387.5 mm  
650 mm 800 mm PrismaSeT P cubicle ComPact NS630b...1000 fixed motor mechanism vertical 3P 1 rear connection on Canalis 16 337.5 mm  
650 mm 400 mm PrismaSeT P cubicle ComPact NS630b...1000 fixed motor mechanism vertical 3P 1 front connection on adaptor 12 137.5 mm  
650 mm 400 mm PrismaSeT P cubicle ComPact NS630b...1000 fixed toggle vertical 4P 1 front connection on Canalis 17 387.5 mm  
650 mm 400 mm PrismaSeT P cubicle ComPact NS630b...1000 fixed direct front rotary handle vertical 4P 1 front connection on Canalis 17 387.5 mm  
650 mm 800 mm PrismaSeT P cubicle ComPact NS630b...1000 fixed toggle vertical 4P 1 rear connection on Canalis 16 337.5 mm  
650 mm 800 mm PrismaSeT P cubicle ComPact NS630b...1000 fixed direct front rotary handle vertical 4P 1 rear connection on Canalis 16 337.5 mm  
650 mm 400 mm PrismaSeT P cubicle ComPact NS630b...1000 fixed toggle vertical 4P 1 front connection on adaptor 12 137.5 mm  
650 mm 400 mm PrismaSeT P cubicle ComPact NS630b...1000 fixed direct front rotary handle vertical 4P 1 front connection on adaptor 12 137.5 mm  
650 mm 400 mm PrismaSeT P cubicle ComPact NS630b...1000 fixed motor mechanism vertical 4P 1 front connection on Canalis 17 387.5 mm  
650 mm 800 mm PrismaSeT P cubicle ComPact NS630b...1000 fixed motor mechanism vertical 4P 1 rear connection on Canalis 16 337.5 mm  
650 mm 400 mm PrismaSeT P cubicle ComPact NS630b...1000 fixed motor mechanism vertical 4P 1 front connection on adaptor 12 137.5 mm  
650 mm 800 mm PrismaSeT P cubicle ComPact NS630b...1000 fixed toggle vertical 3P 1 rear connection on adaptor 10 37.5 mm  
650 mm 800 mm PrismaSeT P cubicle ComPact NS630b...1000 fixed toggle vertical 4P 1 rear connection on adaptor 10 37.5 mm  
650 mm 800 mm PrismaSeT P cubicle ComPact NS630b...1000 fixed direct front rotary handle vertical 3P 1 rear connection on adaptor 10 37.5 mm  
650 mm 800 mm PrismaSeT P cubicle ComPact NS630b...1000 fixed direct front rotary handle vertical 4P 1 rear connection on adaptor 10 37.5 mm  
650 mm 800 mm PrismaSeT P cubicle ComPact NS630b...1000 fixed motor mechanism vertical 3P 1 rear connection on adaptor 10 37.5 mm  
650 mm 800 mm PrismaSeT P cubicle ComPact NS630b...1000 fixed motor mechanism vertical 4P 1 rear connection on adaptor 10 37.5 mm

## Packing Units

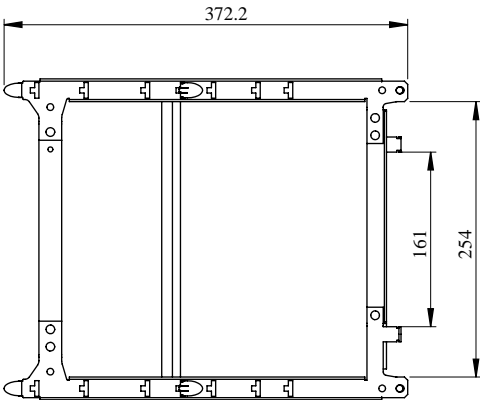
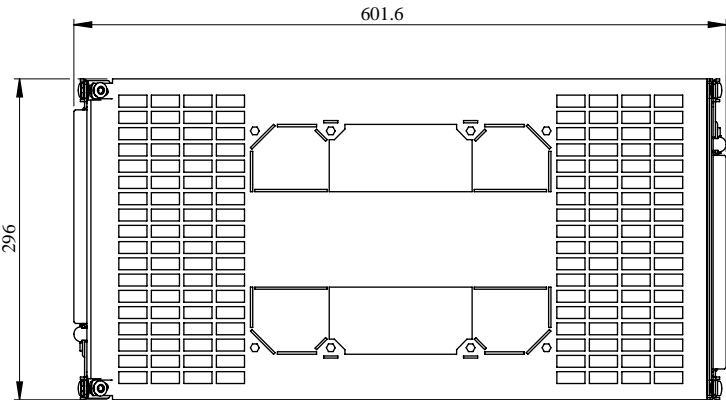
<b>Unit Type of Package 1</b>	PCE
<b>Number of Units in Package 1</b>	1
<b>Package 1 Height</b>	3.8 cm
<b>Package 1 Width</b>	30.0 cm
<b>Package 1 Length</b>	58.0 cm
<b>Package 1 Weight</b>	3.154 kg
<b>Unit Type of Package 2</b>	S04
<b>Number of Units in Package 2</b>	3
<b>Package 2 Height</b>	30.0 cm
<b>Package 2 Width</b>	40.0 cm
<b>Package 2 Length</b>	60.0 cm
<b>Package 2 Weight</b>	10.265 kg
<b>Unit Type of Package 3</b>	P12
<b>Number of Units in Package 3</b>	36
<b>Package 3 Height</b>	102.0 cm
<b>Package 3 Width</b>	80.0 cm
<b>Package 3 Length</b>	120.0 cm
<b>Package 3 Weight</b>	135.0 kg

## Offer Sustainability

<b>Sustainable offer status</b>	Green Premium product
<b>REACH Regulation</b>	<a href="#">REACH Declaration</a>
<b>EU RoHS Directive</b>	Pro-active compliance (Product out of EU RoHS legal scope) <a href="#">EU RoHS Declaration</a>
<b>Toxic heavy metal free</b>	Yes
<b>Mercury free</b>	Yes
<b>China RoHS Regulation</b>	<a href="#">China RoHS declaration</a> Pro-active China RoHS declaration (out of China RoHS legal scope)
<b>RoHS exemption information</b>	<a href="#">Yes</a>
<b>Environmental Disclosure</b>	<a href="#">Product Environmental Profile</a>
<b>PVC free</b>	Yes
<b>Halogen content performance</b>	Halogen free plastic parts product

**Dimensions**

---



- All dimensions are approximate and are in mm.  
- Also see technical documentation.

**Recommended replacement(s)**