

LV-S41

Sensor head, Spot Reflective, Small



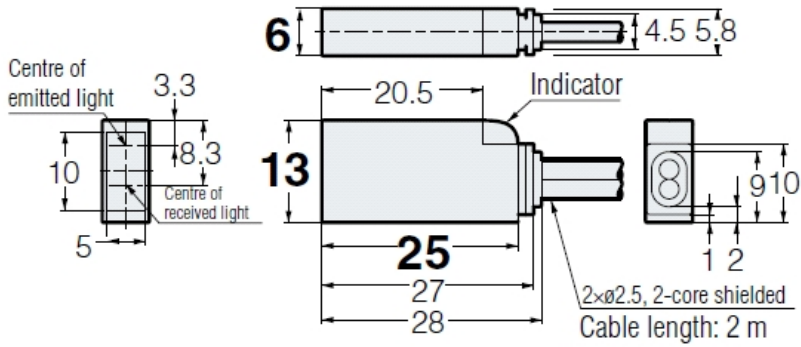
Specifications

Model	LV-S41	
Type	Small	
FDA (CDRH) Part 1040.10	Class 1 Laser Product	
IEC 60825-1		
Light source	Visible red semiconductor laser, Wavelength: 655 nm	
Detecting distance	MEGA	600 mm 23.62"
	ULTRA	500 mm 19.69"
	SUPER	400 mm 15.75"
	TURBO	300 mm 11.81"
	FINE	200 mm 7.87"
	HSP	150 mm 5.91"
Environmental resistance	Ambient temperature	-10 to +50 °C 14 to 122 °F (No freezing)
Material	Case	Glass reinforced plastic
	Display	Polycarbonate
	Lens cover	Norbornene plastic
Weight	Approx. 70 g	

Dimensions

* Download CAD file or product manual for larger image/text and more detail.

LV-S41



Mounting bracket for the LV-S41 / S41L (accessory)

