

N° :

Date : 16 juin 2021

**Induction motor + options**

4P LS 71M 0,37kW B3 230VD/400VY 50Hz -

Metal cover ;

**Utilisation :** Environment Common ; Ambiance Non corrosive ; Finition - ; Zone Non specific ; General applications ; Ambient temperature -16 +40 °C ; Maximum altitude 1000 m.

**Motor characteristics :** Aluminium alloy housing ; Aluminium alloy DE endshield ; Aluminium alloy NDE endshield.



**Motor definition**

Protection type	-	Application	General applications
Generation code	-	Main voltage (V)	400
Efficiency class	-	Connection	DY
Number of network phases	3	Motor winding (V)	230VD/400VY
Number of speed	-	Rated Frequency (Hz)	50
Polarity	4P	Operation position	IM1001(IMB3)
Motor series	LS	Index of protection	IP55
Frame size (mm)	71	Index of cooling	IC411
Length code	M	Insulation class	F
HS rated power (kW)	0.370	Finish	-
Rated speed (min-1)	1420	Moment of inertia J (kg.m2)	0.0008500
Maximum mechanical speed (min-1)	-	Motor weight (kg)	7.3
		Ambient temperature range (°C)	-16 +40
		Regulation label	-

**Common definitions**

Paint shade	RAL6000
Paint system	C3L (1 x acrylic polyurethane finish (50µm +/- 20%))

**Motor mechanical interface**

Mounting flange	-	Shaft material type	Steel shaft
Drive end shaft type	IEC STANDARD shaft end	Nuance of shaft material	-
Diameter DE shaft (mm)	14j6	Second shaft extension	-
Length DE shaft (mm)	30	Diameter NDE shaft (mm)	-
DE bearing mounting	Located	Second shaft end length (mm)	-
DE bearing type	DE ball bearing	NDE bearing type	NDE ball bearing
DE bearing	6202	NDE bearing	6201
Greasing type	Greased for life		

**Motor electrical interface**

Connection network type	Terminal box	Cable type	-
Connection network material	Composite materials	Cable gland material	Polyamide cable gland
Connection network position	A	Main cable gland type	1xPE ISO M16
Connection network orientation	up	Principal cable gland position	Right (1)
Connection network relative position	0		

N° :

Date : 16 juin 2021

Induction motor + options - 4P LS 71M 0,37kW B3 230VD/400VY 50Hz -

### Motor options

Vibration level	A	Cover	Metal cover
Balancing type	Half-key (H)	Drip proof cover option	-
Impregnation type	< 95% ; (T)	cooling type	-
Winding thermal protection	-	Forced ventilation characteristics	-
Space heater	-	Encoder type	-
Draining plugs position	6H	Encoder characteristic	-
Nameplate material	Aluminium nameplate	Screw material	Steel screw
End-shield thermal protection	-	Adaptation for vibration sensor	-
Reinforced insulation system	-		

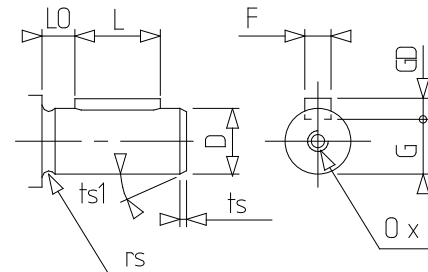
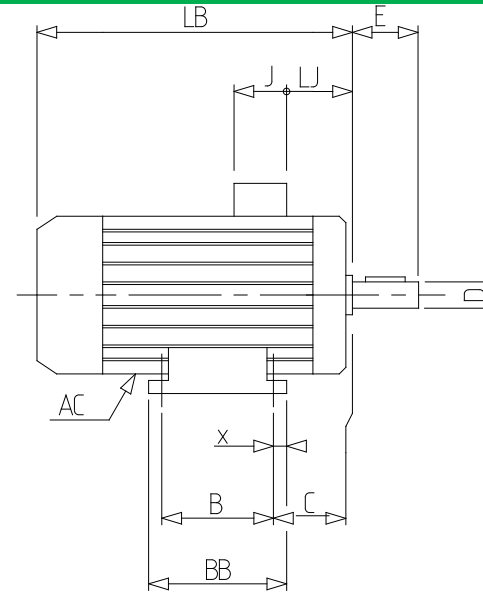
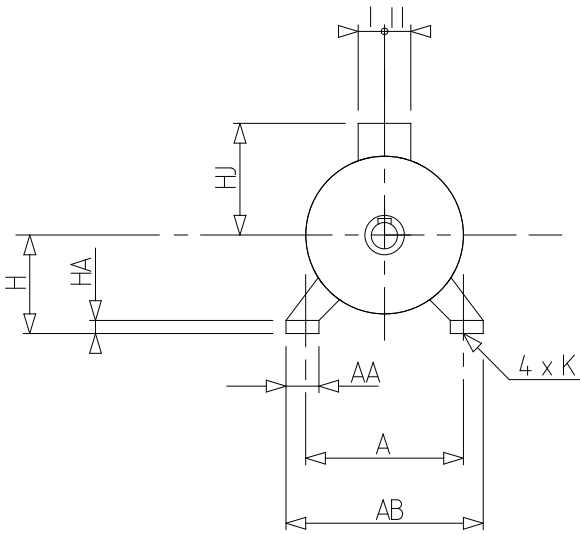
### Motor characteristics (on mains supply)

Main voltage (V)	Nominal frequency (Hz)	Rated speed (min-1)	Pn (kW)	Mn (N.m)	In (A)	I0 (A)	Mmax (N.m)	Maximum current (A)	Md (N.m)	Id (A)	Cos Phi à 4/4	Cos Phi à 3/4	Cos Phi à 2/4	η 4/4 (%)	η 3/4 (%)	η 2/4 (%)	LpA (dB(A))
230	50	1410	0.37	2.5	1.1				6.0	5.4	0.7			71			49
					1.9			6.0	9.4	0.7			71			49	
400	50	1410	0.37	2.5	1.1				6.0	5.4	0.7			71			49

N° :

Date : 16 juin 2021

Induction motor + options - 4P LS 71M 0,37kW B3 230VD/400VY 50Hz -



A	112
AA	23
AB	126
AC	140.00
B	90
BB	104
C	45.0
D	14j6
E	30
F	5
G	11
GD	5
H	71
HA	9
HJ	100.0
I	40
II	40
J	80
K	7
L	25
LB	186.0
LJ	27.0
LO	4
O	M5
p	15
x	7.5