

Product data sheet

Specifications



Thermal overload relay, TeSys Deca, 690VAC, 1 to 1.6A, 1NO +1NC, class 10A, screw clamp

LRD06

Main

Range	TeSys TeSys Deca
Product name	TeSys LRD TeSys Deca
Product or component type	Differential thermal overload relay
Device short name	LRD
Relay application	Motor protection
Product compatibility	LC1D25 LC1D32 LC1D12 LC1D18 LC1D38 LC1D09
Network type	DC AC
Thermal overload class	Class 10A IEC 60947-4-1
Thermal protection adjustment range	1...1.6 A
[Ui] rated insulation voltage	Power circuit 600 V CSA Power circuit 600 V UL Power circuit 690 V IEC 60947-4-1

Complementary

Network frequency	0...400 Hz
Mounting support	Plate, with specific accessories Rail, with specific accessories Under contactor
Tripping threshold	1.14 +/- 0.06 Ir IEC 60947-4-1
Auxiliary contact composition	1 NO + 1 NC
[Ith] conventional free air thermal current	5 A signalling circuit
Permissible current	3 A 120 V AC-15 signalling circuit 0.22 A 125 V DC-13 signalling circuit
[Ue] rated operational voltage	690 V AC 0...400 Hz power circuit IEC 60947-4-1
Associated fuse rating	4 A gG signalling circuit 4 A BS signalling circuit
[Uimp] rated impulse withstand voltage	6 kV

Phase failure sensitivity	Tripping current 130 % of I _r on two phase, the last one at 0
Control type	Red push-button stop Blue push-button reset
Temperature compensation	-4...140 °F (-20...60 °C)
Connections - terminals	Control circuit screw clamp terminals 2 0.00...0.00 in ² (1...2.5 mm ²) flexible without cable end Control circuit screw clamp terminals 2 0.00...0.00 in ² (1...2.5 mm ²) flexible with cable end Control circuit screw clamp terminals 2 0.00...0.00 in ² (1...2.5 mm ²) solid without cable end Power circuit screw clamp terminals 1 0.00...0.02 in ² (1.5...10 mm ²) flexible without cable end Power circuit screw clamp terminals 1 0.00...0.01 in ² (1...4 mm ²) flexible with cable end Power circuit screw clamp terminals 1 0.00...0.01 in ² (1...6 mm ²) solid without cable end
Tightening torque	Control circuit 15.05 lbf.in (1.7 N.m) screw clamp terminals Power circuit 15.05 lbf.in (1.7 N.m) screw clamp terminals
Height	2.60 in (66 mm)
Width	1.77 in (45 mm)
Depth	2.76 in (70 mm)
Net weight	0.27 lb(US) (0.124 kg)

Environment

Climatic withstand	IACS E10
IP degree of protection	IP20 IEC 60529
Ambient air temperature for operation	-4...140 °F (-20...60 °C) without derating IEC 60947-4-1
Ambient air temperature for storage	-76...158 °F (-60...70 °C)
Flame retardance	V1 UL 94
Mechanical robustness	Vibrations 6 Gn IEC 60068-2-6 Shocks 15 Gn for 11 ms IEC 60068-2-7
Dielectric strength	1.89 kV 50 Hz IEC 60947-1
Standards	EN/IEC 60947-4-1 EN/IEC 60947-5-1 UL 60947-4-1 UL 60947-5-1 CSA C22.2 No 60947-4-1 CSA C22.2 No 60947-5-1 GB/T 14048.4 GB/T 14048.5 EN 50495
Product certifications	IEC UL CSA CCC EAC BV RINA DNV-GL LROS (Lloyds register of shipping) ATEX INERIS UKCA

Packing Units

Unit Type of Package 1	PCE
Number of Units in Package 1	1
Package 1 Height	1.93 in (4.900 cm)
Package 1 Width	3.03 in (7.700 cm)
Package 1 Length	3.46 in (8.800 cm)
Package 1 Weight	5.01 oz (141.900 g)
Unit Type of Package 2	S02
Number of Units in Package 2	24

Package 2 Height	5.91 in (15.000 cm)
Package 2 Width	11.81 in (30.000 cm)
Package 2 Length	15.75 in (40.000 cm)
Package 2 Weight	8.04 lb(US) (3.649 kg)

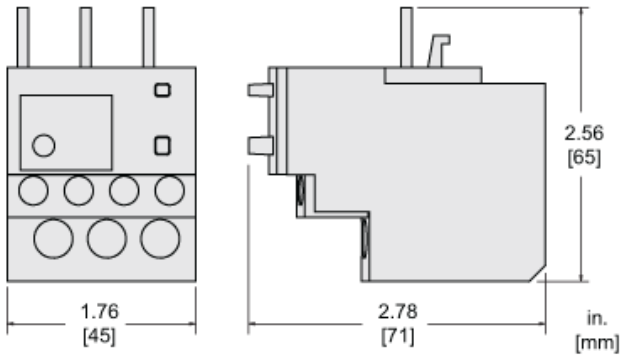
Offer Sustainability

Sustainable offer status	Green Premium product
REACH Regulation	REACH Declaration
EU RoHS Directive	Compliant EU RoHS Declaration
Mercury free	Yes
China RoHS Regulation	China RoHS declaration Product out of China RoHS scope. Substance declaration for your information
RoHS exemption information	Yes
Environmental Disclosure	Product Environmental Profile
Circularity Profile	End of Life Information
WEEE	The product must be disposed on European Union markets following specific waste collection and never end up in rubbish bins

Contractual warranty

Warranty	18 months
-----------------	-----------

Approximate Dimensions



Recommended replacement(s)