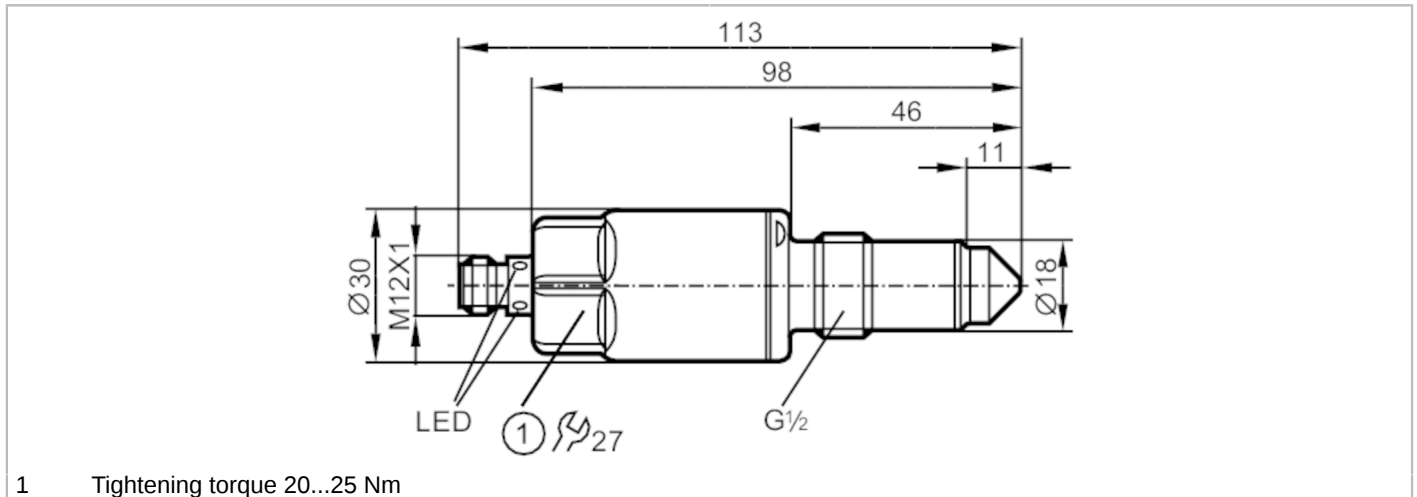


# LMT01A



## Sensor for point level detection in hazardous areas

LMACE-A12E-QSKG-1/US/3D/3G



1 Tightening torque 20...25 Nm

EC 1935/2004 EHEDG Certified 
 
 IO-Link 
 UKCA

### Product characteristics

|                              |  |
|------------------------------|--|
| Number of inputs and outputs | Number of digital outputs: 2           |
| Factory setting              | oils; oil-based media; powder          |
| Process connection           | threaded connection G 1/2 sealing cone |

### Application

|                         |  |
|-------------------------|--|
| Special feature         | Gold-plated contacts   |
| Media                   | Liquids; viscous media; powder                                   |
| Cannot be used for      | See the operating instructions, chapter "Function and features". |
| Medium temperature [°C] | -20...85   |
| Probe length [mm]       | 11   |
| Tank pressure [bar]     | -1...40  |

### Electrical data

|                             |            |
|-----------------------------|------------|
| Operating voltage [V]       | 18...30 DC |
| Current consumption [mA]    | < 50       |
| Protection class            | III        |
| Reverse polarity protection | yes        |
| Measuring principle         | capacitive |

### Inputs / outputs

|                              |                              |
|------------------------------|------------------------------|
| Number of inputs and outputs | Number of digital outputs: 2 |
|------------------------------|------------------------------|

### Outputs

|  |  |
|--|--|
| Total number of outputs                              | 2  |
| Output signal  | switching signal; IO-Link                          |
| Electrical design                                    | PNP/NPN  |
| Number of digital outputs                            | 2  |
| Output function                                      | normally open / normally closed; (parameterisable) |
| Max. voltage drop switching output DC [V]            | 2.5  |
| Permanent current rating of switching output DC [mA] | 100  |

# LMT01A



## Sensor for point level detection in hazardous areas

LMACE-A12E-QSKG-1/US/3D/3G

|                                      |  |                     |
|--------------------------------------|--|---------------------|
| Short-circuit protection             | yes  |                     |
| Type of short-circuit protection     | pulsed   |                     |
| Overload protection                  | yes  |                     |
| <b>Measuring/setting range</b>       |  |                     |
| Factory setting                      | oils; oil-based media; powder                                |                     |
| <b>Response times</b>                |  |                     |
| Response time [s]                    | < 0.5  |                     |
| <b>Interfaces</b>                    |  |                     |
| Communication interface              | IO-Link  |                     |
| Transmission type                    | COM2 (38,4 kBaud)  |                     |
| IO-Link revision                     | 1.1  |                     |
| SDCI standard                        | IEC 61131-9  |                     |
| Profiles                             | Smart Sensor: Process Data Variable; Device Identification   |                     |
| SIO mode                             | yes  |                     |
| Required master port type            | A  |                     |
| Process data analogue                | 1  |                     |
| Process data binary                  | 2  |                     |
| Min. process cycle time [ms]         | 2.3  |                     |
| Supported DeviceIDs                  | Type of operation  | DeviceID            |
|                                      | Default  | 305                 |
| <b>Operating conditions</b>          |  |                     |
| Ambient temperature [°C]             | -20...60   |                     |
| Storage temperature [°C]             | -40...85   |                     |
| Protection                           | IP 67; (when used outside the hazardous area: IP 68 / IP 69) |                     |
| <b>Tests / approvals</b>             |  |                     |
| ATEX marking                         | II 3D Ex tc IIIC T90°C Dc X                                  |                     |
|                                      | II 3G Ex nA IIC T4 Gc X                                      |                     |
| EMC                                  | DIN EN 61000-6-2   |                     |
|                                      | DIN EN 61000-6-4   | open tanks          |
|                                      | DIN EN 61000-6-3   | closed tanks        |
| Shock resistance                     | DIN EN 68000-2-27  | 50 g (11 ms)        |
| Vibration resistance                 | DIN EN 68000-2-6   | 20 g (10...2000 Hz) |
| MTTF [years]                         | 223  |                     |
| <b>Mechanical data</b>               |  |                     |
| Weight [g]                           | 218  |                     |
| Materials                            | stainless steel (1.4404 / 316L); PEEK; PEI; FKM              |                     |
| Materials (wetted parts)             | PEEK; surface characteristics: Ra < 0,8 / Rz 4               |                     |
| Process connection                   | threaded connection G 1/2 sealing cone                       |                     |
| <b>Displays / operating elements</b> |  |                     |
| Display                              | switching status   | LED, yellow         |
|                                      | operating status   | LED, green          |
| <b>Remarks</b>                       |  |                     |
| Pack quantity                        | 1 pcs.   |                     |

# LMT01A



## Sensor for point level detection in hazardous areas

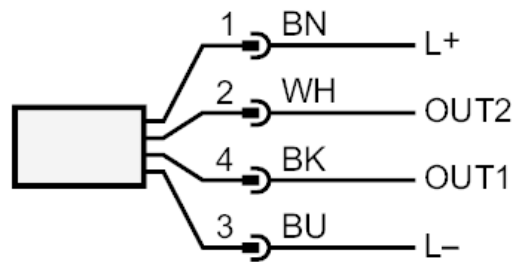
LMACE-A12E-QSKG-1/US/3D/3G

### Electrical connection

Connector: 1 x M12; coding: A; Contacts: gold-plated



### Connection



OUT1: switching output IO-Link Teach  
OUT2: switching output

colours to DIN EN 60947-5-2

Core colours :

BK = black  
BN = brown  
BU = blue  
WH = white