

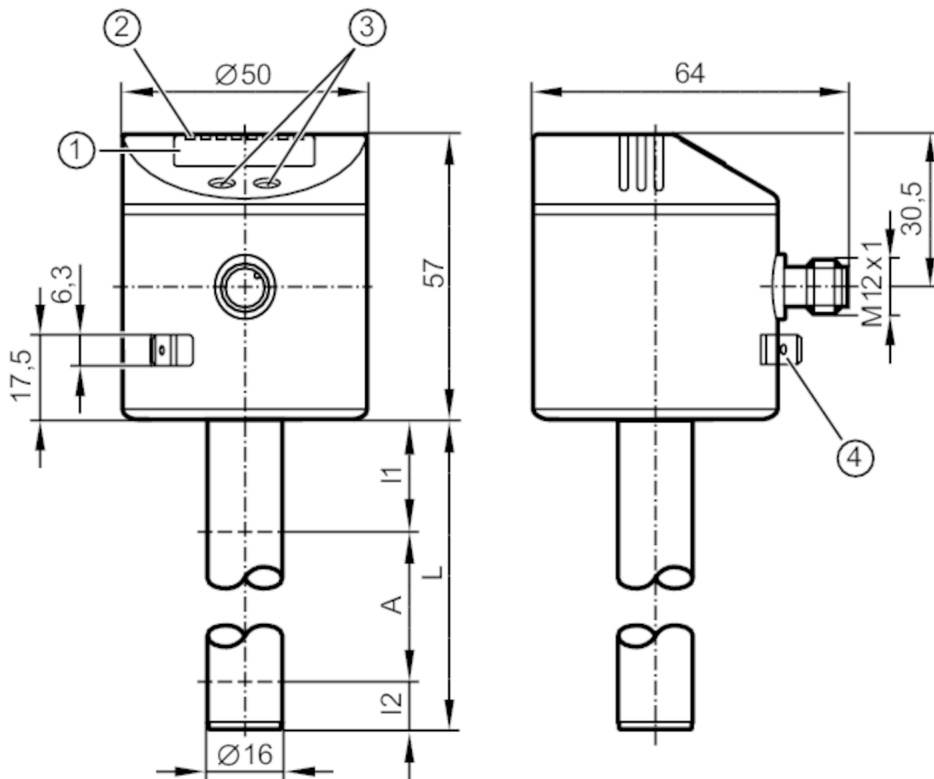
LK8122



Electronic level sensor

LK0264B-B-00KVPKG/US

For 8-pole sockets the core colours are not standardised.
Please note the wiring of the sensor and the sockets (see data sheet).



- 1 alphanumeric display 4-digit
- 2 status LEDs
- 3 programming buttons
- 4 housing connection flat-pin connector 6.3 mm DIN 46244



Product characteristics

| | |
|------------------------------|---|
| Number of inputs and outputs | Number of digital outputs: 4 |
| Factory setting | hydrous coolants; water; media similar to water |
| Probe length L [mm] | 264 |

Application

| | |
|---|--|
| Special feature | Gold-plated contacts |
| Media | hydrous coolants; oils; oil-based media; water; media similar to water |
| Dielectric constant of the medium | > 2 |
| Cannot be used for | extremely conductive media; adhering media; granulates; bulk material; acids; alkali; Lebensmittel_und_Galvanikbereich |
| Maximum speed of the change of level [mm/s] | 100 |
| Tank pressure [bar] | 0.5; (when mounting with mounting accessories: E43001 - E43007, E43019) |

Coolants

| | |
|-------------------------|---|
| Medium temperature [°C] | 0...35; (with climatic tube E43100: 35...65 °C) |
|-------------------------|---|

LK8122



Electronic level sensor

LK0264B-B-00KVPKG/US

| | | |
|---|------------------------|--|
| Oil | | |
| Medium temperature | [°C] | 0...70 |
| Medium temperature short time | [°C] | 0...90; (< 1 h) |
| Water | | |
| Medium temperature | [°C] | 0...35; (with climatic tube E43100: 35...65 °C) |
| Electrical data | | |
| Operating voltage | [V] | 18...30 DC |
| Current consumption | [mA] | < 50 |
| Protection class | | III |
| Reverse polarity protection | | yes |
| Power-on delay time | [s] | < 3 |
| Measuring principle | | capacitive |
| Inputs / outputs | | |
| Number of inputs and outputs | | Number of digital outputs: 4 |
| Outputs | | |
| Total number of outputs | | 4 |
| Output signal | | switching signal; IO-Link |
| Electrical design | | PNP/NPN |
| Number of digital outputs | | 4 |
| Output function | | normally open / normally closed; (parameterisable) |
| Max. voltage drop switching output DC | [V] | 2.5 |
| Permanent current rating of switching output DC | [mA] | 200 |
| Short-circuit protection | | yes |
| Type of short-circuit protection | | thermal, pulsed |
| Overload protection | | yes |
| Measuring/setting range | | |
| Factory setting | | hydrous coolants; water; media similar to water |
| Probe length L | [mm] | 264 |
| Active range A | [mm] | 195 |
| Inactive range I1 / I2 | [mm] | 53 / 16 |
| Setting range | | |
| Set point SP | [mm] | 25...200 |
| Reset point rP | [mm] | 20...195 |
| In steps of | [mm] | 5 |
| Reference point OP | [mm] | 69 - 82 - 94 - 106 - 118 - 130 - 143 - 155 - 167 - 179 - 191 - 204 - OFF |
| Hysteresis, OP | [mm] | 2 |
| Accuracy / deviations | | |
| Measuring error | | ± 5 |
| | [% of the final value] | |
| Repeatability | | ± 2 |

LK8122



Electronic level sensor

LK0264B-B-00KVPKG/US

| | | |
|------------|------|---|
| Resolution | [mm] | 5 |
|------------|------|---|

Software / programming

| | | |
|---------------------------|--|--|
| Parameter setting options | hysteresis / window; normally open / normally closed; switching logic; SP/rP position; adjustment OP; medium selection; offset setting; switch-on/switch-off delay | |
|---------------------------|--|--|

Interfaces

| | | |
|---------------------------|--|----------|
| Communication interface | IO-Link | |
| Transmission type | COM2 (38,4 kBaud) | |
| IO-Link revision | 1.1 | |
| SDCI standard | IEC 61131-9 | |
| Profiles | Smart Sensor: Process Data Variable; Device Identification, Device Diagnosis | |
| SIO mode | yes | |
| Required master port type | A | |
| Process data analogue | 2 | |
| Process data binary | 4 | |
| Min. process cycle time | [ms] | 3.2 |
| Supported DeviceIDs | Type of operation | DeviceID |
| | Default | 21 |

Operating conditions

| | | |
|---------------------|------|----------|
| Ambient temperature | [°C] | 0...60 |
| Storage temperature | [°C] | -25...80 |
| Protection | | IP 67 |

Tests / approvals

| | | |
|----------------------|-------------------|--------------------|
| EMC | DIN EN 61000-6-2 | |
| | DIN EN 61000-6-4 | |
| Shock resistance | DIN EN 60068-2-29 | 15 g (11 ms) |
| Vibration resistance | DIN EN 60068-2-6 | 5 g (10...2000 Hz) |
| MTTF | [years] | 227 |

Mechanical data

| | | |
|--------------------------|---|-------|
| Weight | [g] | 290.4 |
| Dimensions | [mm] | Ø 16 |
| Materials | stainless steel (1.4301 / 304); stainless steel (1.4404 / 316L); FKM; NBR; PBT; PC; PA; PP; TPV | |
| Materials (wetted parts) | PP | |

Displays / operating elements

| | | |
|---------|-------------------|-------------------------------|
| Display | Display unit | 2 x LED, green (cm, inch) |
| | switching status | 4 x LED, yellow (OUT4...OUT1) |
| | measured values | alphanumeric display, 4-digit |
| | parameter setting | alphanumeric display, 4-digit |

Remarks

| | |
|---------------|--------|
| Pack quantity | 1 pcs. |
|---------------|--------|

LK8122

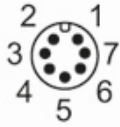


Electronic level sensor

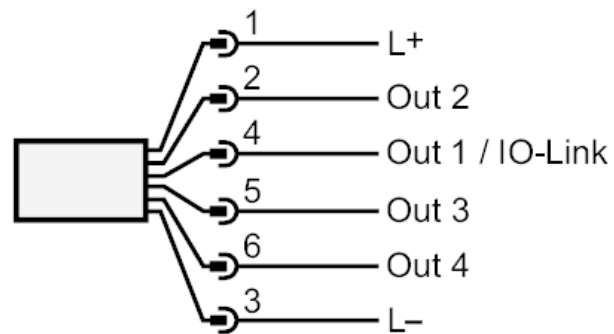
LK0264B-B-00KVPKG/US

Electrical connection

Connector: 1 x M12; coding: A; Contacts: gold-plated



Connection



OUT1: switching output IO-Link
OUT2...4: switching output