

Service units LFR-K, D series

FESTO

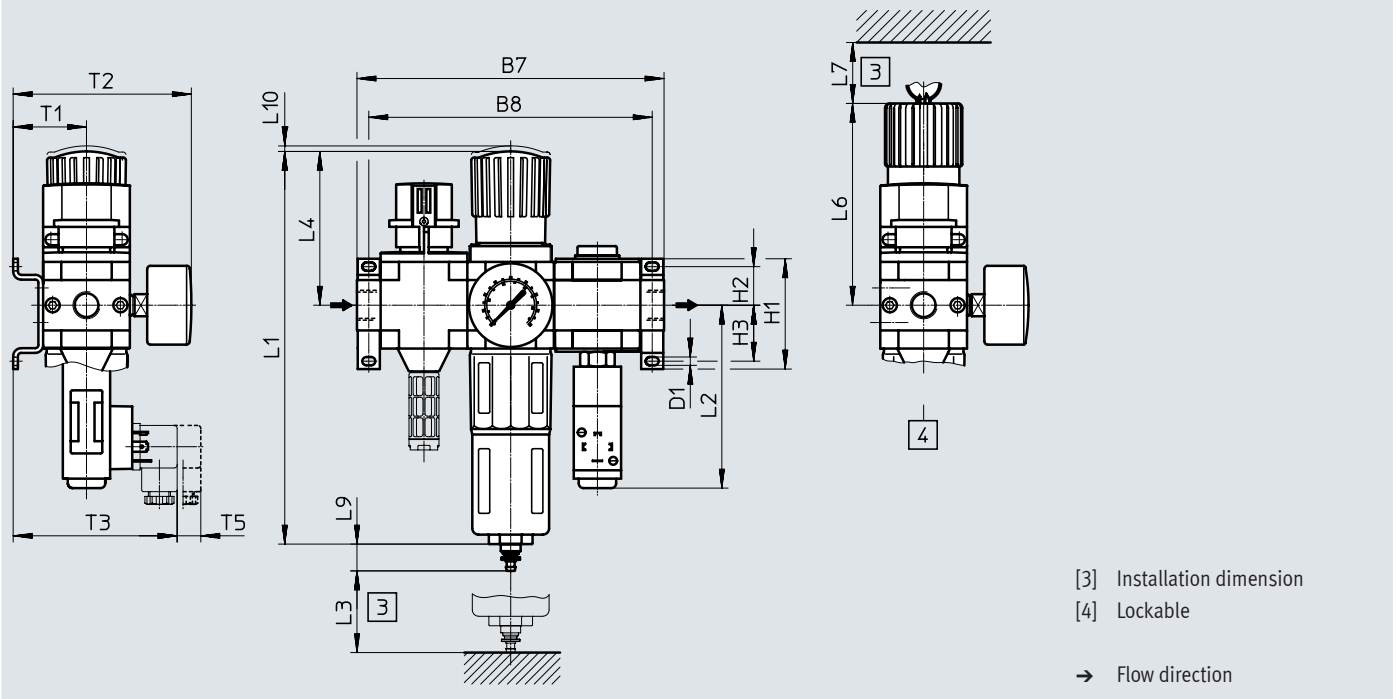


Datasheet LFR-KF

Dimensions

Download CAD data → www.festo.com

LFR...-KF



Type	B7	B8	D1	H1	H2	H3	L1	L2	L3	L4	L6	L7	L9	L10	T1	T2	T3	T5	
Mini																			
LFR...-D-MINI-KF (A)	144	132	4.3	43	17.5	17.5	193	108	60	68	98	60	19	3	39	95	97	15	
Midi																			
LFR...-D-MIDI-KF (A)	195	180	5.3	70	24.5	35.5	250	117	80	99	130	60	19	3	47	114	105	15	
Maxi																			
LFR...-D-MAXI-KF (A)	228	212	5.3	70	24.5	35.5	252	122	90	82	111	60	19	3	53	126	111	15	
LFR...-D-DI-MAXI-KF (A)							275			105	135								

Note: This product conforms to ISO 1179-1 and ISO 228-1.

Datasheet LFR-KF

Ordering data

Rotary knob with latch, pressure gauge with outer scale in bar and inner scale in psi

Size	Connection	Condensate drain		Condensate drain	
		Manual		Fully automatic	
		Part no.	Type	Part no.	Type
Mini	G1/8	185767	LFR-1/8-D-MINI-KF	185768	LFR-1/8-D-MINI-KF-A
	G1/4	185769	LFR-1/4-D-MINI-KF	185770	LFR-1/4-D-MINI-KF-A
Midi	G1/4	185771	LFR-1/4-D-MIDI-KF	185772	LFR-1/4-D-MIDI-KF-A
	G3/8	185773	LFR-3/8-D-MIDI-KF	185774	LFR-3/8-D-MIDI-KF-A
	G1/2	185775	LFR-1/2-D-MIDI-KF	185776	LFR-1/2-D-MIDI-KF-A
Maxi	G1/2	186049	LFR-1/2-D-MAXI-KF	186050	LFR-1/2-D-MAXI-KF-A
	G3/4	185777	LFR-3/4-D-MAXI-KF	185778	LFR-3/4-D-MAXI-KF-A
Directly actuated pressure regulator with integrated return flow function					
Maxi	G1/2	192445	LFR-1/2-D-DI-MAXI-KF	192459	LFR-1/2-D-DI-MAXI-KF-A
	G3/4	192452	LFR-3/4-D-DI-MAXI-KF	192466	LFR-3/4-D-DI-MAXI-KF-A