

KNTP 881*.**



Description

KNTP is built-in single pole disconnecting thermal cutout based on the principle of liquid dilatation. It consists from two basic parts: switching unit and capillary temperature sensor. If the surrounding temperature of sensor reaches the set disconnection temperature, the electrical circuit is disconnected. The circuit can be reconnected only manually by pressing the reset button after temperature sensor is cooled down. It is not allowed to turn on KNTP under electric load. Only knowledgeable person can reset KNTP 881*.**. KNTP is installed with two M4 screws. There is a protective earth pin on the cover.

Advantages

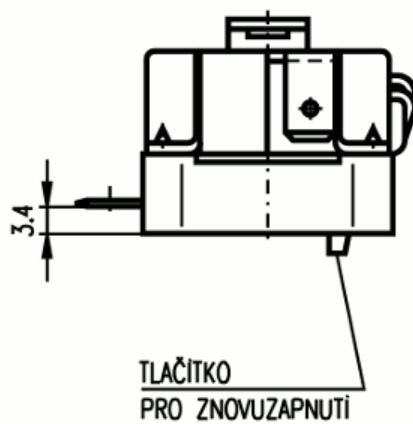
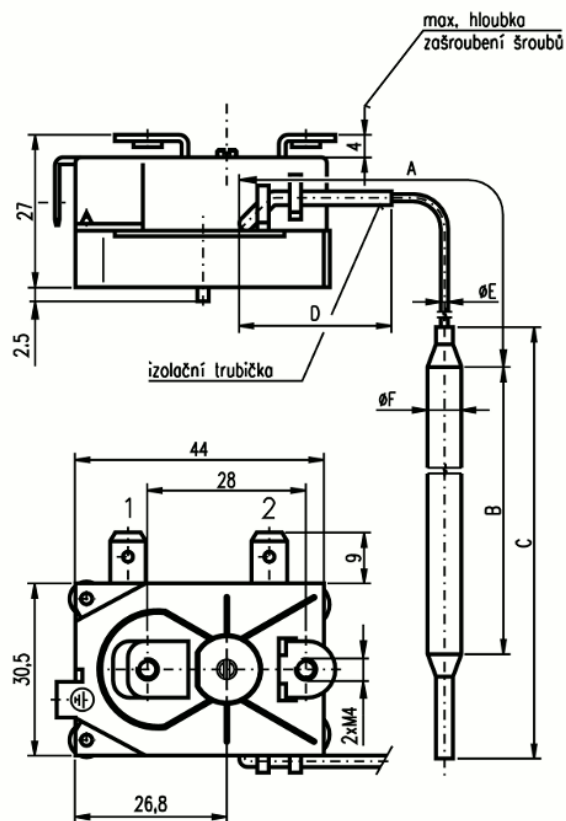
- variable location of temperature sensor in relation to position of switching unit
- switching unit can be installed in any position
- capillary can be bent according to installation need
- no consumption of electrical power
- low operating and servicing costs

Technical data

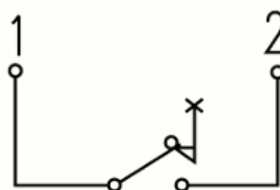
Cutout type	KNTP 8812.02	KNTP 8813.02	KNTP 8814.02
Range of set disconnection temperature T_{disc}	35-99 °C	35-80 °C	50-320 °C
Difference of disconnection temperature	-6 °C	-6 °C	-20 °C
Rated current	16 (2,6) A	16 (2,6) A	16 (2,6) A
Rated voltage	240 V	240 V	240 V
Temperature range (surrounding of switching unit)	0-150 °C	0-150 °C	0-150 °C
Max. temperature (sensor)	110 °C	90 °C	330 °C
Temperature for manual reconnection	$T_{disc} - 10$ °C	$T_{disc} - 10$ °C	$T_{disc} - 15$ °C
Capillary length	1 000 mm	500 mm	900 mm
Weight	80 g	75 g	70 g
Protection	IP 00, built-in thermostat	IP 00, built-in thermostat	IP 00, built-in thermostat
Protection class	I	I	I
Max. number of automatic disconnections and manual reconnections	300 cycles	300 cycles	300 cycles
Min. radius of capillary bend	$R_{min} = 5$ mm	$R_{min} = 5$ mm	$R_{min} = 5$ mm
Connecting terminals	flat pins 6,3 x 0,8 in accordance with ČSN EN 612 10	flat pins 6,3 x 0,8 in accordance with ČSN EN 612 10	flat pins 6,3 x 0,8 in accordance with ČSN EN 612 10

Overview of type designation

Type	A [mm]	B [mm]	C [mm]	D [mm]	E [mm]	F [mm]	Material of sensor	Ground pin
8812.02	930	114	140	890	1,3	6	Cu	yes
8813.01	450	114	140	410	1,3	6	Cu	yes
8814.02	830	130	160	10	1,0	3	stainless steel	yes



Schema zapojení
v poloze rozepnuto



Označení svorek je provedeno
na tělese spínače.

Contacts

APATOR METRA s. r. o.

Havlíčková 919/24
787 01 Šumperk
Czech Republic

Tel.: +420 583 718 261
Fax.: +420 583 718 150
E-mail: prodej@metra-su.cz
WWW: www.metra-su.cz

Your distributor:

The manufacturer reserves the right to change design, technical specifications and accessories without prior notice.