

Connecting cables for valves, socket type C to EN 175301-803

FESTO



Festo Core Range
Solves the majority of your automation tasks

With the Festo Core Range, we have selected the most important products and functions from our broad product catalogue, and added the quickest delivery.

Worldwide: Quickest delivery – wherever, whenever
Simply good: Expected high Festo quality
Fast: Easy and fast to select

The Core Range offers you the best value for your automation tasks.

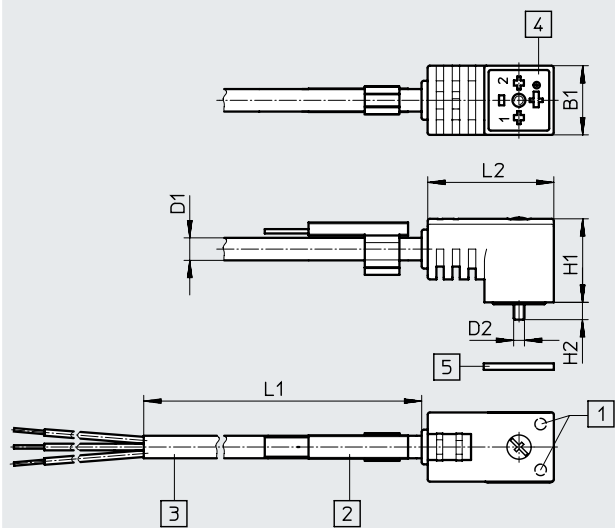
Just look
for the
star!

Data sheet

Dimensions

Download CAD data → www.festo.com

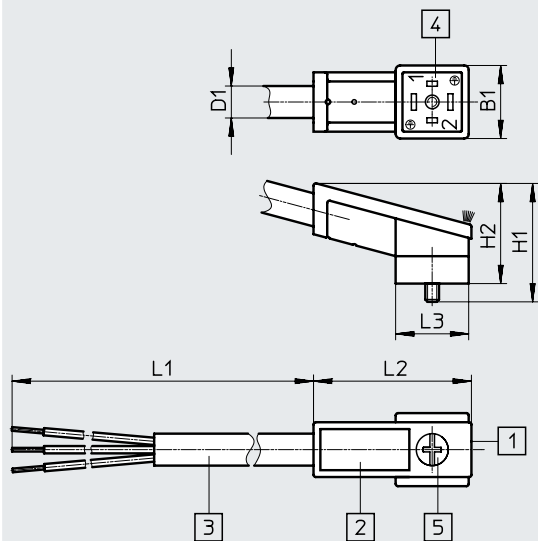
KMEB-1



- [1] LED illuminated area (only with 24 V)
- [2] Inscription label holder ASCF with label ASLR-L-432 (scope of delivery)
- [3] 3-wire cable (3x 0.5 mm²)
- [4] Plug pattern to EN 175301-803, type C
- [5] Seal

Type	D1	D2	L1	L2	H1	H2	B1
KMEB-1-...-2.5	5.2	2.5	2500	29.1	19.3	4	16
KMEB-1-...-5	5.2	2.5	5000	29.1	19.3	4	16
KMEB-1-...-10	5.2	2.5	10000	29.1	19.3	4	16

KMEB-2

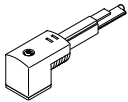


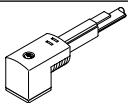
- [1] LED illuminated area (integrated)
- [2] Inscription label
- [3] 3-wire cable 2.5 m or 5 m (3x 0.75 mm²)
- [4] Plug pattern to EN 175301-803, type C
- [5] Seal

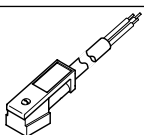
Type	B1	D1	H1	H2	L1	L2	L3
KMEB-2-...-2.5	16	6.2	26	22	2550	34.6	16
KMEB-2-...-5	16	6.2	26	22	5050	34.6	16

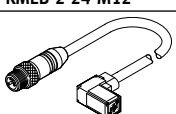
Data sheet

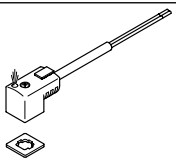
★ Core product range

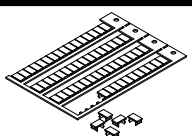
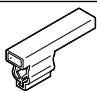
Ordering data							
	Signal status indication	Material Cable sheath	Operating voltage [V]	Cable length [m]	Weight [g]	Part no.	Type
KMEB-1							
	LED	PVC	24 DC	2.5	125	★ 151688	KMEB-1-24-2.5-LED

Ordering data							
	Signal status indication	Material Cable sheath	Operating voltage [V]	Cable length [m]	Weight [g]	Part no.	Type
KMEB-1							
	LED	PVC	24 DC	5	230	151689	KMEB-1-24-5-LED
				10	460	193457	KMEB-1-24-10-LED
	–	PVC	230 AC	2.5	125	151690	KMEB-1-230AC-2.5
				5	230	151691	KMEB-1-230AC-5

Ordering data							
	Signal status indication	Material Cable sheath	Operating voltage [V]	Cable length [m]	Weight [g]	Part no.	Type
KMEB-2							
	LED	TPE-U(PUR)	24 DC	2.5	200	174844	KMEB-2-24-2.5-LED
				5	400	174845	KMEB-2-24-5-LED
	–	TPE-U(PUR)	230 AC	2.5	200	174846	KMEB-2-230-2.5
				5	400	174847	KMEB-2-230-5

Ordering data							
	Signal status indication	Material Cable sheath	Operating voltage [V]	Cable length [m]	Weight [g]	Part no.	Type
KMEB-2-24-M12							
	LED	TPE-U (PU)	24 DC	0.5	–	177677	KMEB-2-24-M12-0.5-LED

Ordering data							
	Signal status indication	Material Cable sheath	Operating voltage [V]	Cable length [m]	Weight [g]	Part no.	Type
KMEB-3							
	Yellow LED	PVC	24 DC	2.5	120	547268	KMEB-3-24-2.5-LED
				5	230	547269	KMEB-3-24-5-LED
	–	PVC	24 DC	2.5	120	547270	KMEB-3-24-2.5
				5	230	547271	KMEB-3-24-5

Ordering data – Accessories				
	Description	Use	Part no.	Type
	Inscription labels 6x10 mm, 64 pieces, in frame	KMEB-3	18576	IBS-6x10
	Inscription labels 9x20 mm, 20 pieces, in frame	KMEB-2	18182	IBS-9x20
	Inscription label holders for identifying connecting cables	For cable diameter 4.2 ... 5.6 mm	8143238	NEAU-LH-4