



IV2-CP50

Control Panel



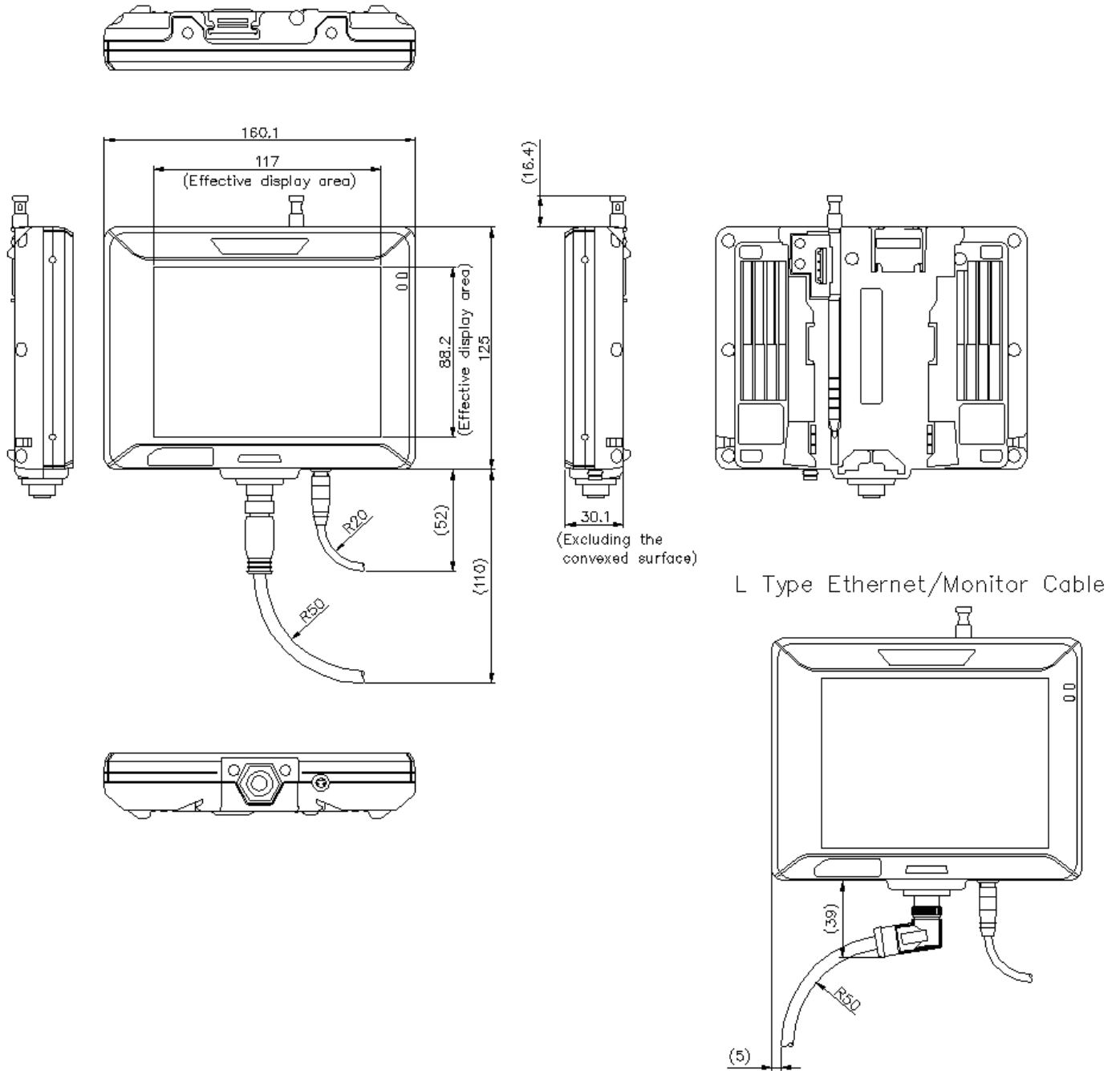
SPECIFICATIONS

| | | |
|--|---------------------|---|
| Model | | IV2-CP50 |
| Display panel | | 5.7" TFT color LCD, 640 × 480 (VGA) |
| Backlight | Method | White LED |
| | Duration | Approx. 50000 hours (25°C 77°F) |
| Touch panel | Method | Analog resistive |
| | Actuating force | 0.8 N or less |
| Languages | | English / Japanese / German / Chinese (Simplified) / Chinese (Traditional) / Korean / Italian / French / Spanish / Portuguese / Czech / Hungarian / Polish / Thai ^{*1} |
| Indicators | | PWR, SENSOR |
| Ethernet | Standard | 100BASE-TX/10BASE-T ^{*2} |
| | Connector | M12 4-pin connector ^{*2} |
| Expanded memory | | USB memory ^{*3} |
| Ratings | Power voltage | 24 VDC ±10% (including ripple) |
| | Current consumption | 0.3 A or less |
| Environmental resistance | Enclosure rating | IP40 |
| | Ambient temperature | 0 to +50°C 32 to 122°F (No freezing) |
| | Relative humidity | 35 to 85% RH (No condensation) ^{*4} |
| | Drop resistance | 1.3 m 4.3' onto concrete (2 times in an arbitrary direction) |
| Vibration resistance | | 10 to 55 Hz; double amplitude 0.7 mm 0.03"; 2 hours in each of the X, Y, and Z directions |
| Material | | Main unit case: PC, Power connector: Brass + Ni plating, Ethernet connector: Zinc + Ni plating / PA, USB connector cover: EDPM, Pen holder: PC, Adapter fixing hook: POM, LED lamp cover: PC, Mounting adapter: PC, Stylus: POM |
| Weight | | Main unit: Approx. 450 g With wall mounting adapter and stylus attached: Approx. 485 g |
| <p>^{*1} When connected to the IV2 Series. When connected to the IV Series, the supported languages are the same as the IV-M30.</p> <p>^{*2} Dedicated for use in connecting to the IV2 Series and IV Series.</p> <p>^{*3} Use only products recommended by KEYENCE.</p> <p>^{*4} If the ambient operating temperature exceeds 40°C 104°F, use the product under conditions where the absolute humidity is 85% RH or less at 40°C 104°F.</p> | | |

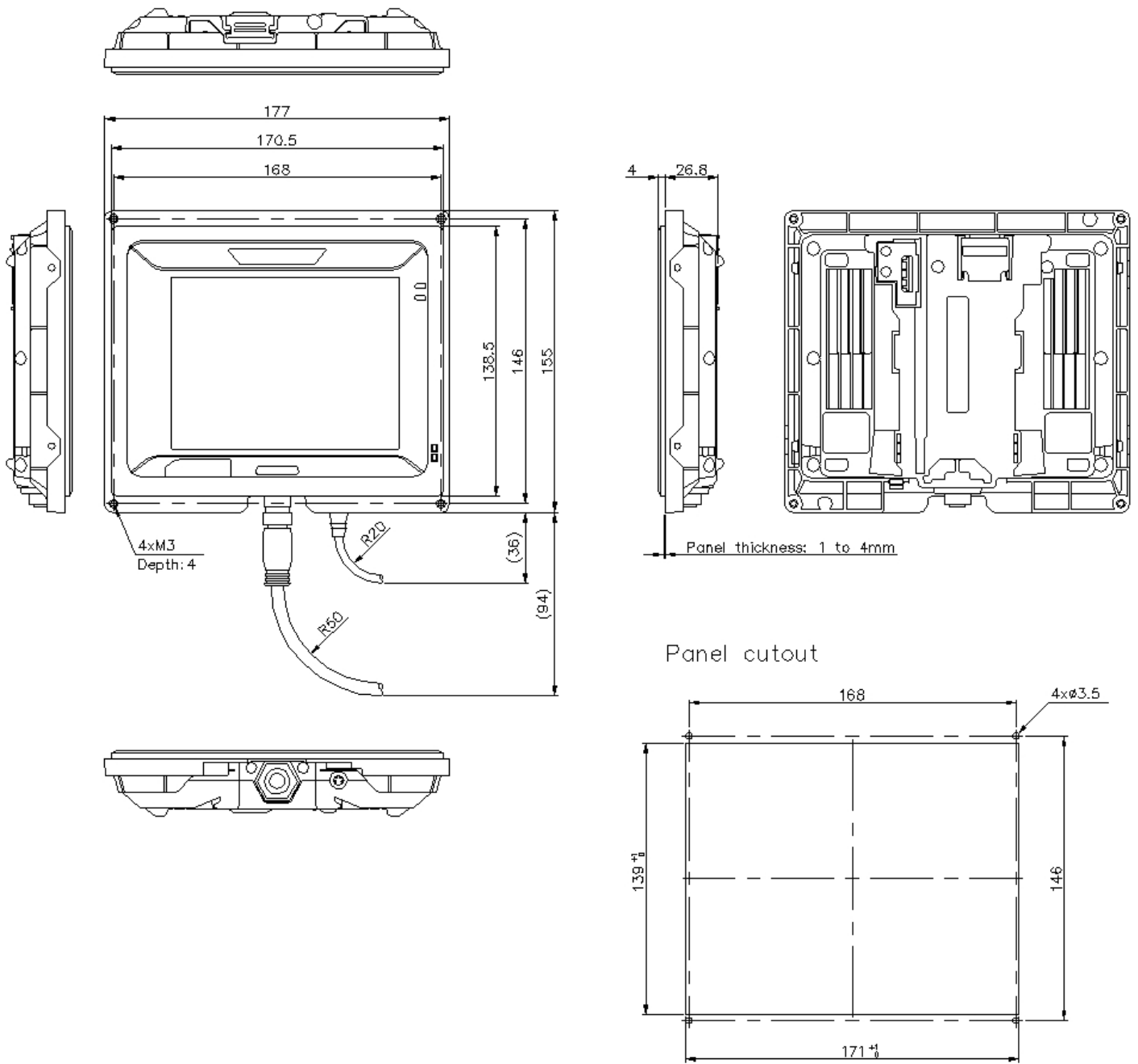
Dimensions

* Download CAD file or product manual for larger image/text and more detail.

IV2-CP50



Using the panel mounting adapter



Using the wall mounting adapter

