



## IV-HG500CA

Sensor Head, Standard, Color, Automatic focus model



## Specifications

Model	IV-HG500CA	
Type	Standard sensor model	
Installed distance	20 to 500 mm 0.79" to 19.69"	
View	Installed distance 20 mm 0.79": 10 (H) × 7.5 (V) mm 0.39" (H) × 0.30" (V) to Installed distance 500 mm 19.69": 200 (H) × 150 (V) mm 7.87" (H) × 5.91" (V)	
Image sensor	Type	1/3 inch color CMOS
	Pixel	752 (H) × 480 (V)
Focus adjustment	Auto*1	
Exposure time	1/10 to 1/50,000	
Lights	Illumination	White LED
	Lighting method	Pulse lighting/DC lighting is switchable
Indicators	2 (the same display details for both indicators)	
Environmental resistance	Enclosure rating	IP67*2
	Ambient temperature	0 to +50 °C 32 to 122 °F (No freezing)
	Relative humidity	35 to 85 % RH (No condensation)
	Vibration resistance	10 to 55 Hz, Double amplitude 1.5 mm 0.06", 2 hours in each of the X, Y, and Z directions*3
	Shock resistance	500 m/s <sup>2</sup> , 3 times in each of 6 directions*3
Material	Main unit case: Zinc die-casting, Front cover: Acrylic (hard coat), Operation indicator cover: TPU	
Weight	Approx. 75 g	

\*1 The focusing position can be automatically adjusted at the time of installation. Deactivated during the operation. Focusing position can be registered by program.

\*2 Except when polarized filter attachment (OP-87899/OP-87900/OP-87901/OP-87902) is mounted

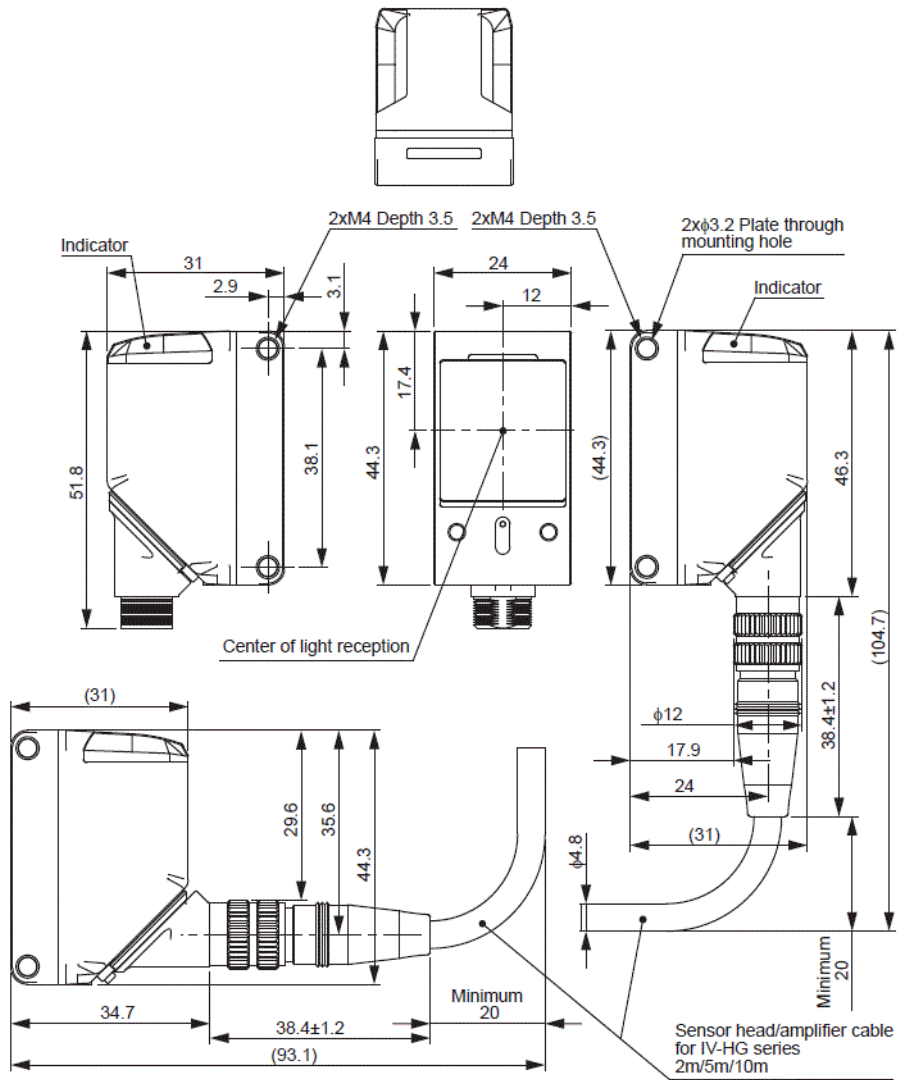
\*3 Except when IV-HG dome attachment (IV-GD05/IV-GD10) is mounted

# Dimensions

\* Download CAD file or product manual for larger image/text and more detail.

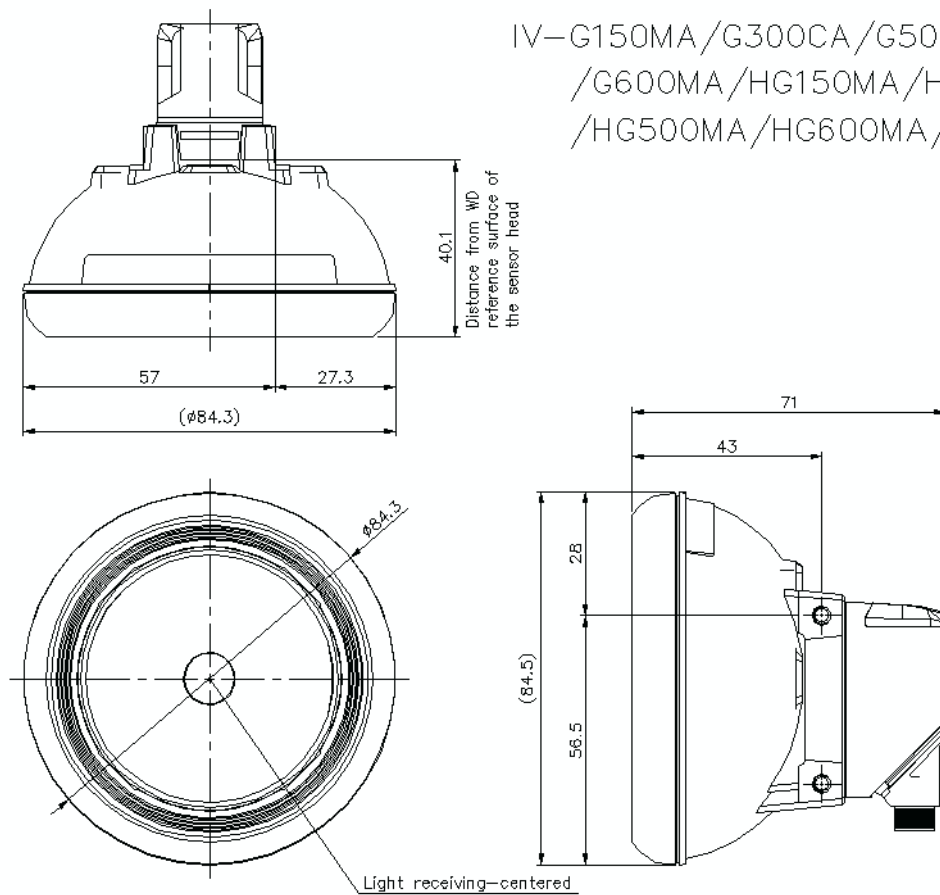
iv-g\_hg\_camera\_dimension\_01.gif

- IV-HG500CA
- IV-HG500MA
- IV-HG150MA
- IV-HG300CA
- IV-HG600MA

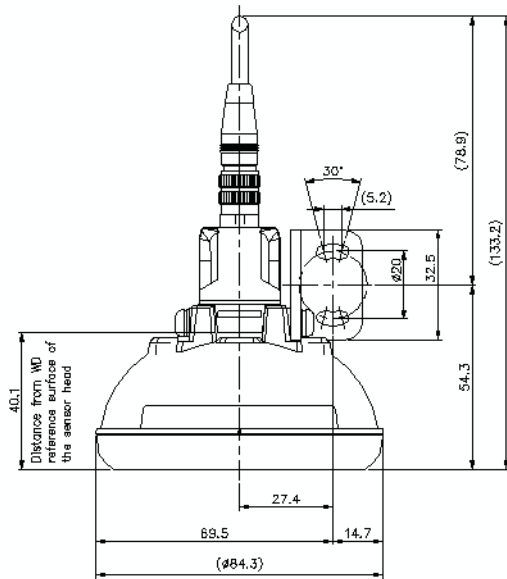


iv-g\_hg\_camera\_gd05\_dimension\_01.gif

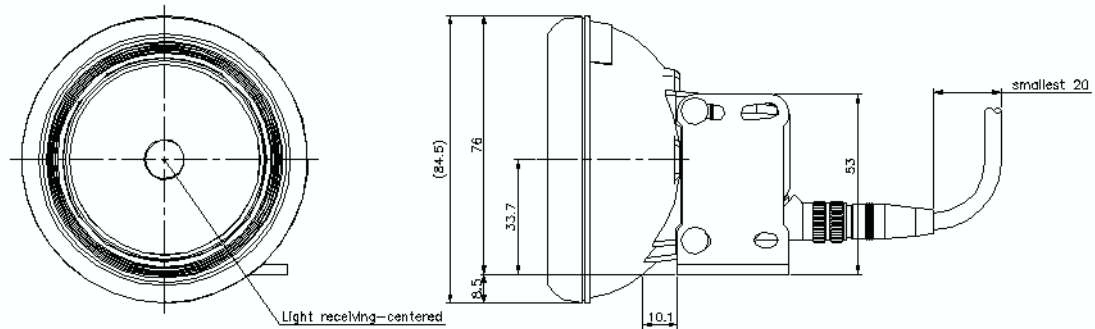
IV-G150MA/G300CA/G500CA/G500MA  
 /G600MA/HG150MA/HG300CA/HG500CA  
 /HG500MA/HG600MA/GD05



iv-g\_hg\_camera\_gd05\_op87908\_dimension\_01.gif

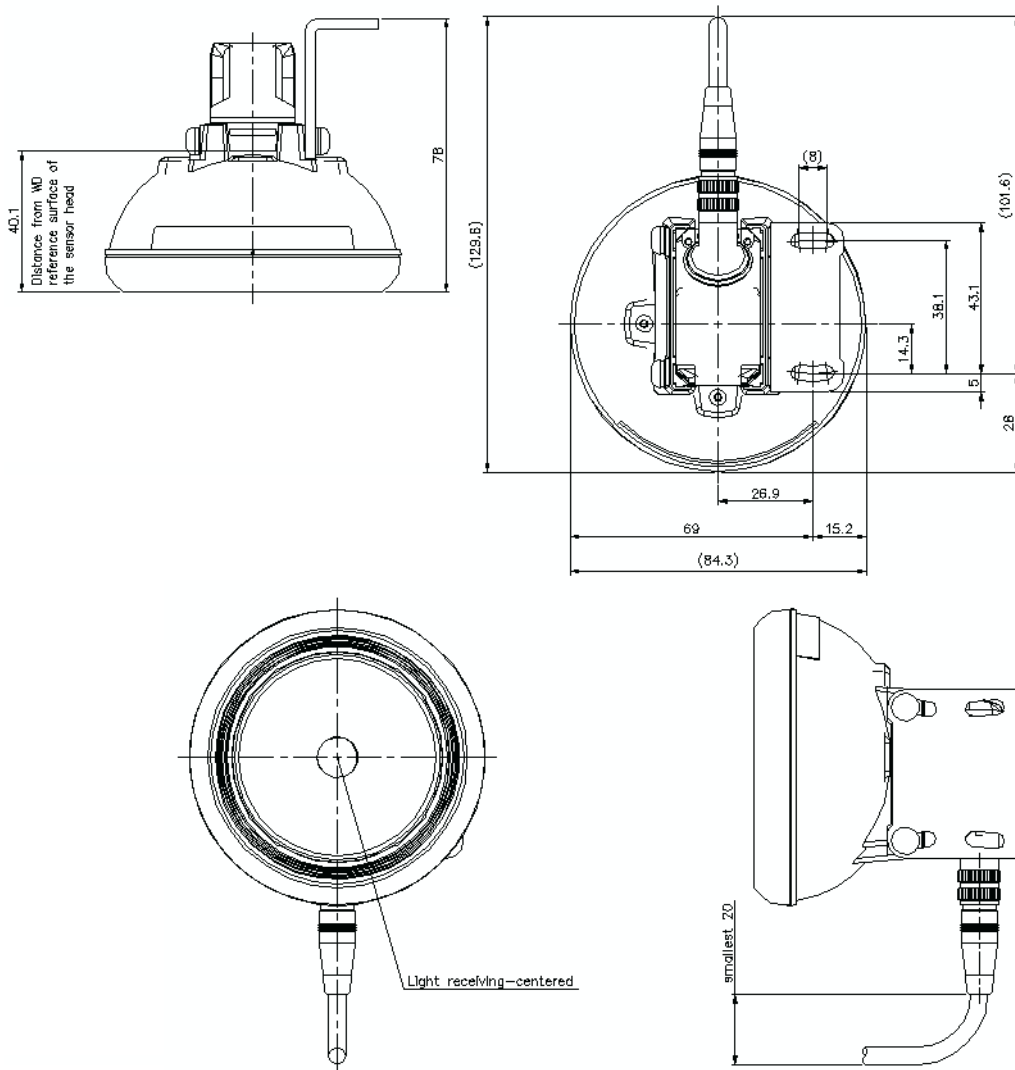


IV-G150MA/G300CA/G500CA/G500MA  
 /G600MA/HG150MA/HG300CA/HG500CA  
 /HG500MA/HG600MA/GD05/OP-87908



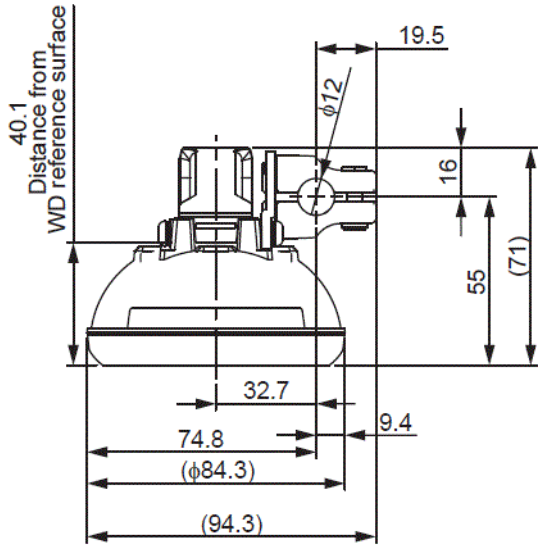
iv-g\_hg\_camera\_gd05\_op87909\_dimension\_01.gif

IV-G150MA/G300CA/G500CA/G500MA  
 /G600MA/HG150MA/HG300CA/HG500CA  
 /HG500MA/HG600MA/GD05/OP-87909

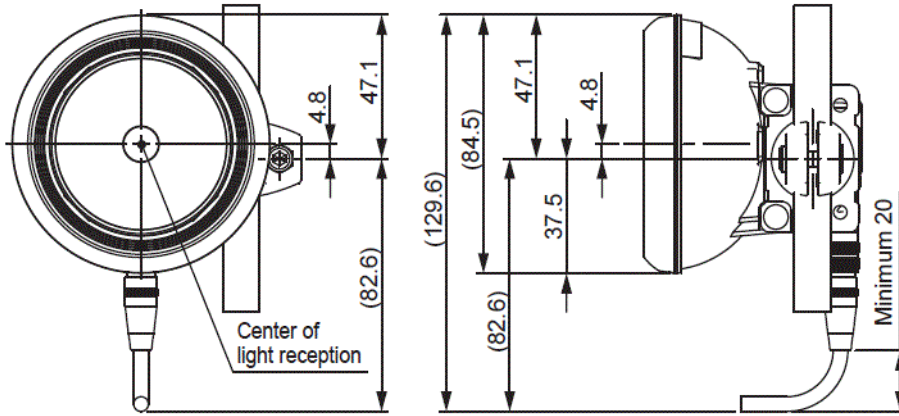


iv-g\_hg\_camera\_gd05\_op87910\_dimension\_01.gif

• Dome attachment for IV-HG series (IV-GD05)  
with Adjustable bracket for IV-HG series (OP-87910)

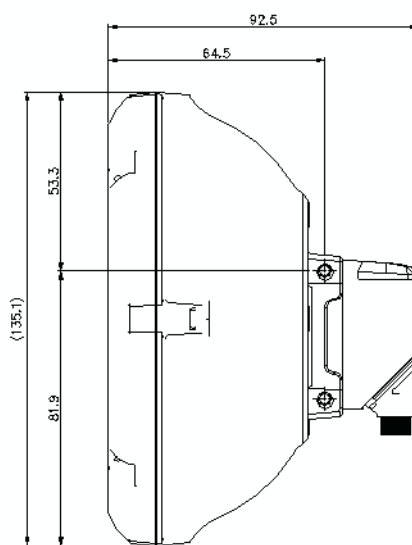
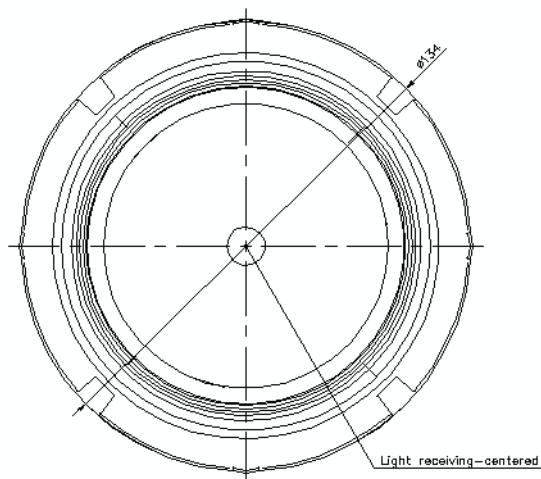
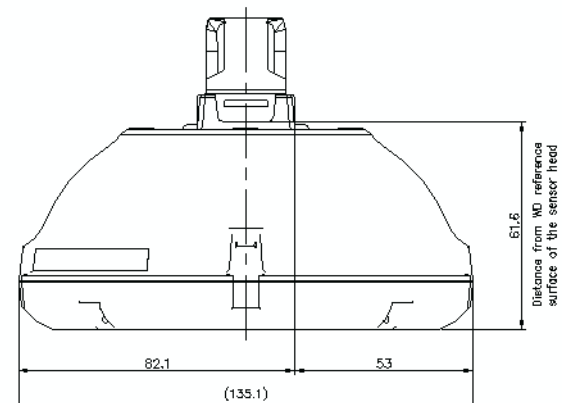


\* Strut  $\phi 12$  is not supplied with the OP-87910

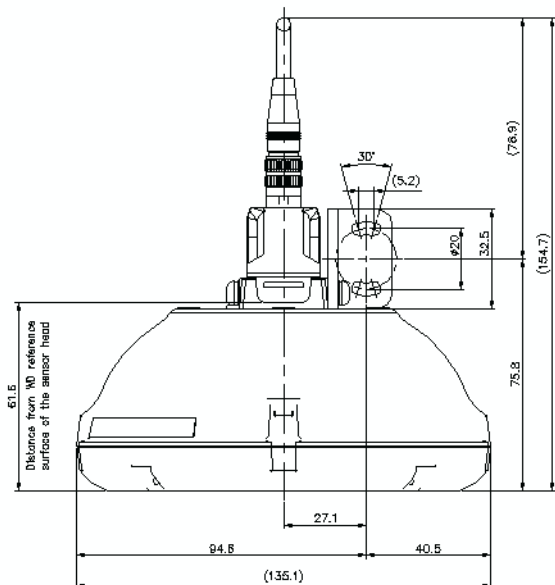


iv-g\_hg\_camera\_gd10\_dimension\_01.gif

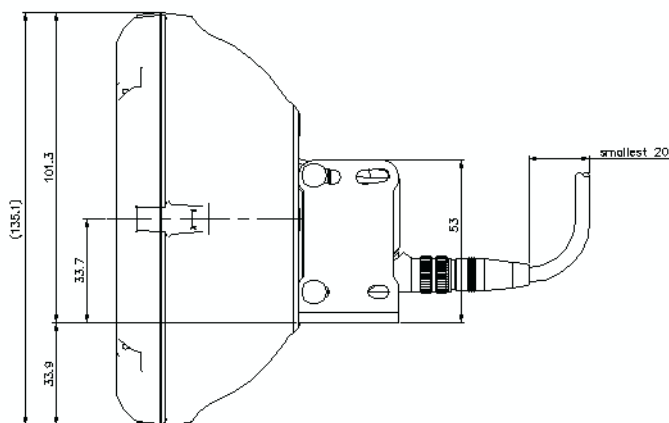
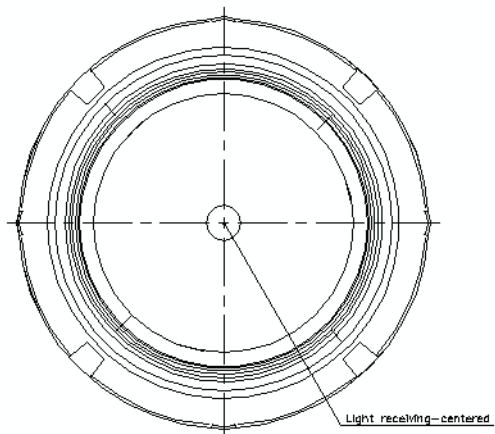
IV-G150MA/G300CA/G500CA/G500MA  
 /G600MA/HG150MA/HG300CA/HG500CA  
 /HG500MA/HG600MA/GD10



iv-g\_hg\_camera\_gd10\_op87908\_dimension\_01.gif



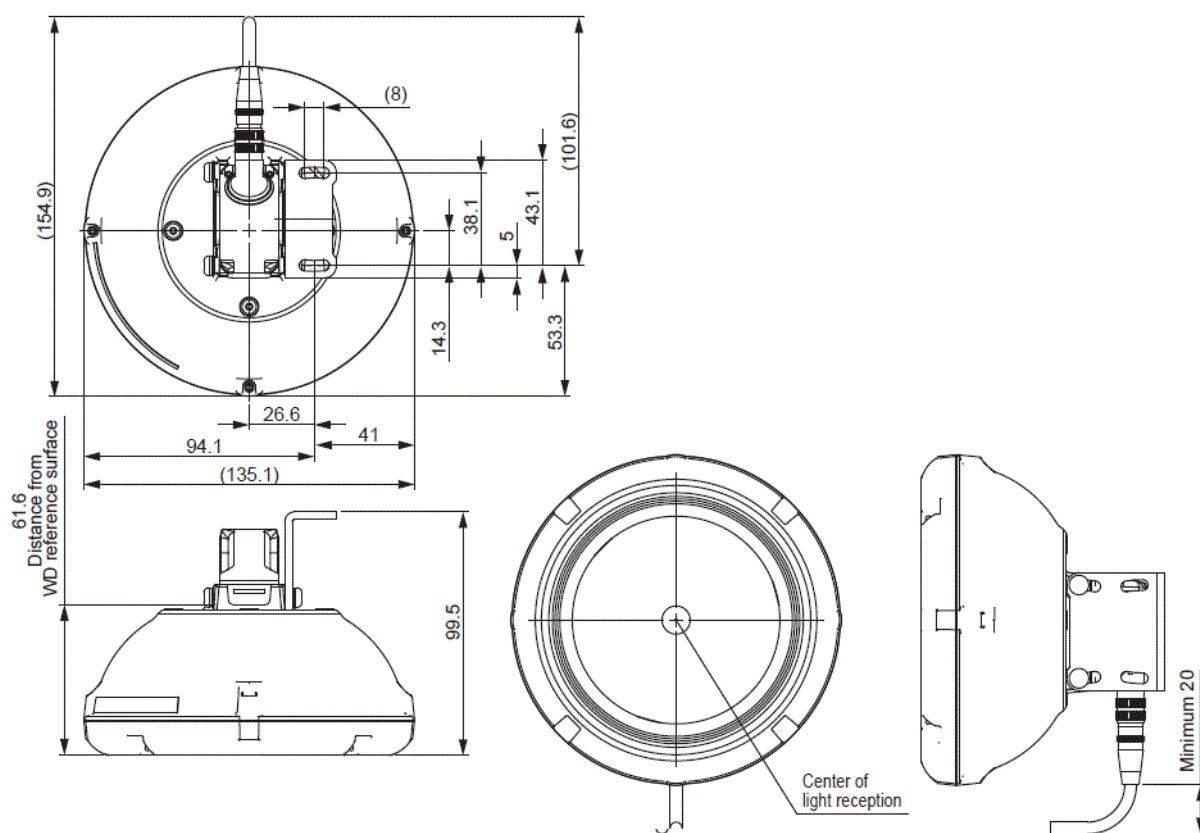
IV-G150MA/G300CA/G500CA/G500MA  
/G600MA/HG150MA/HG300CA/HG500CA  
/HG500MA/HG600MA/GD10/OP-87908





iv-g\_hg\_camera\_gd10\_op87909\_dimension\_01.gif

- Dome attachment for IV-HG series (IV-GD10) with  
Transverse mounting bracket for IV-HG series (OP-87909)



iv-g\_hg\_camera\_gd10\_op87910\_dimension\_01.gif

- Dome attachment for IV-HG series (IV-GD10) with Adjustable bracket for IV-HG series (OP-87910)

