



IV-HG300CA

Sensor Head, Wide field of view, Color, Automatic focus model



Specifications

Model	IV-HG300CA	
Type	Wide field of view sensor model	
Installed distance	40 to 300 mm 1.57" to 11.81"	
View	Installed distance 40 mm 1.57": 42 (H) × 31 (V) mm 1.65" (H) × 1.22" (V) to installed distance 300 mm 11.81": 275 (H) × 206 (V) mm 10.83" (H) × 8.11" (V)	
Image sensor	Type	1/3 inch color CMOS
	Pixel	752 (H) × 480 (V)
Focus adjustment	Auto*1	
Exposure time	1/25 to 1/50,000	
Lights	Illumination	White LED
	Lighting method	Pulse lighting
Indicators	2 (the same display details for both indicators)	
Environmental resistance	Enclosure rating	IP67*2
	Ambient temperature	0 to +50 °C 32 to 122 °F (No freezing)
	Relative humidity	35 to 85 % RH (No condensation)
	Vibration resistance	10 to 55 Hz, Double amplitude 1.5 mm 0.06", 2 hours in each of the X, Y, and Z directions*3
	Shock resistance	500 m/s ² , 3 times in each of 6 directions*3
Material	Main unit case: Zinc die-casting, Front cover: Acrylic (hard coat), Operation indicator cover: TPU	
Weight	Approx. 75 g	

*1 The focusing position can be automatically adjusted at the time of installation. Deactivated during the operation. Focusing position can be registered by program.

*2 Except when polarized filter attachment (OP-87899/OP-87900/OP-87901/OP-87902) is mounted

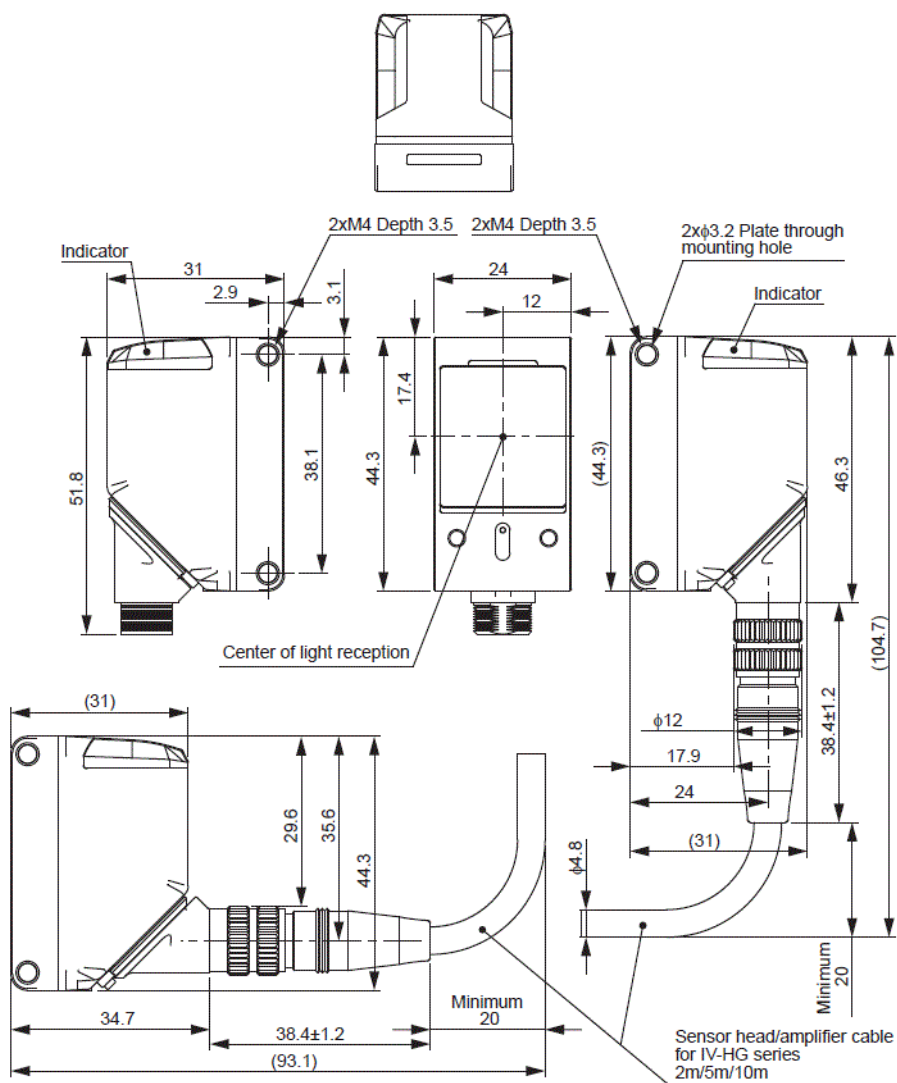
*3 Except when IV-HG dome attachment (IV-GD05/IV-GD10) is mounted

Dimensions

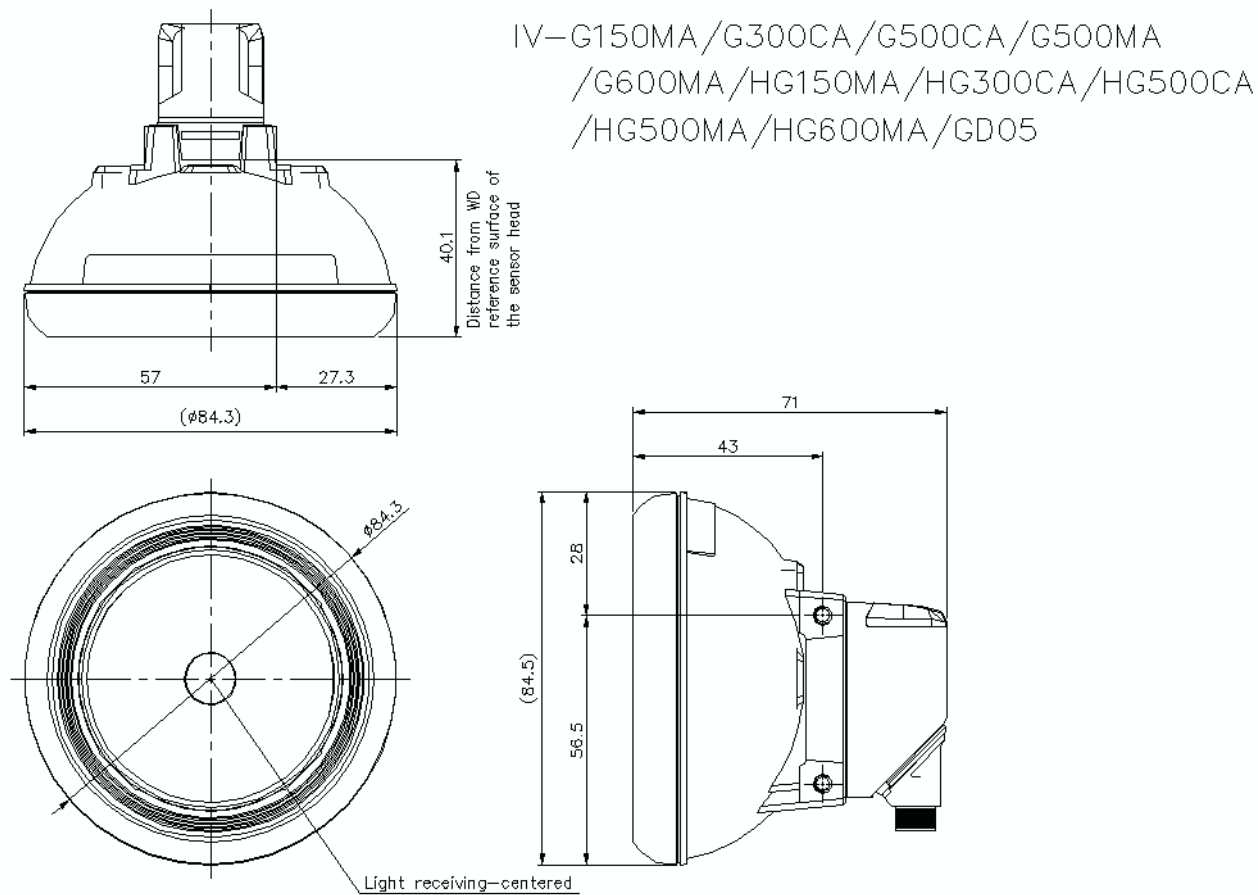
* Download CAD file or product manual for larger image/text and more detail.

iv-g_hg_camera_dimension_01.gif

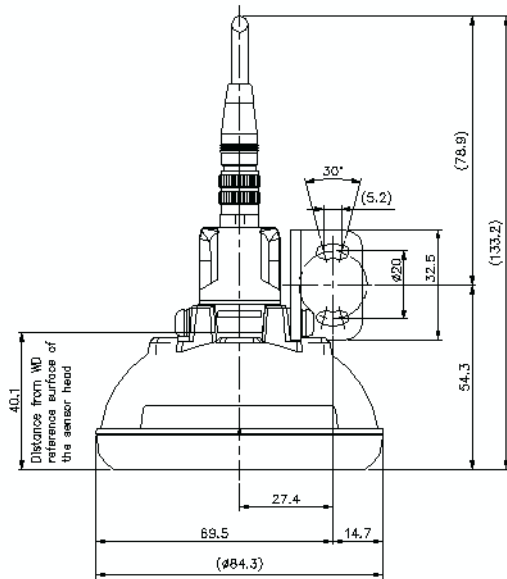
- IV-HG500CA
- IV-HG500MA
- IV-HG150MA
- IV-HG300CA
- IV-HG600MA



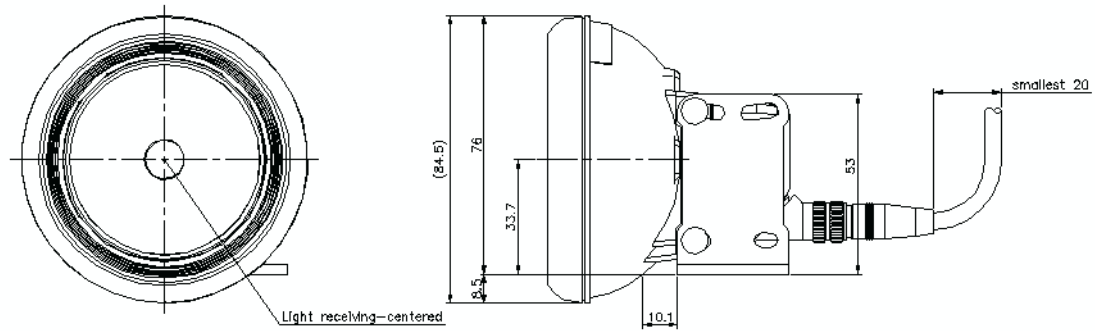
iv-g_hg_camera_gd05_dimension_01.gif



iv-g_hg_camera_gd05_op87908_dimension_01.gif

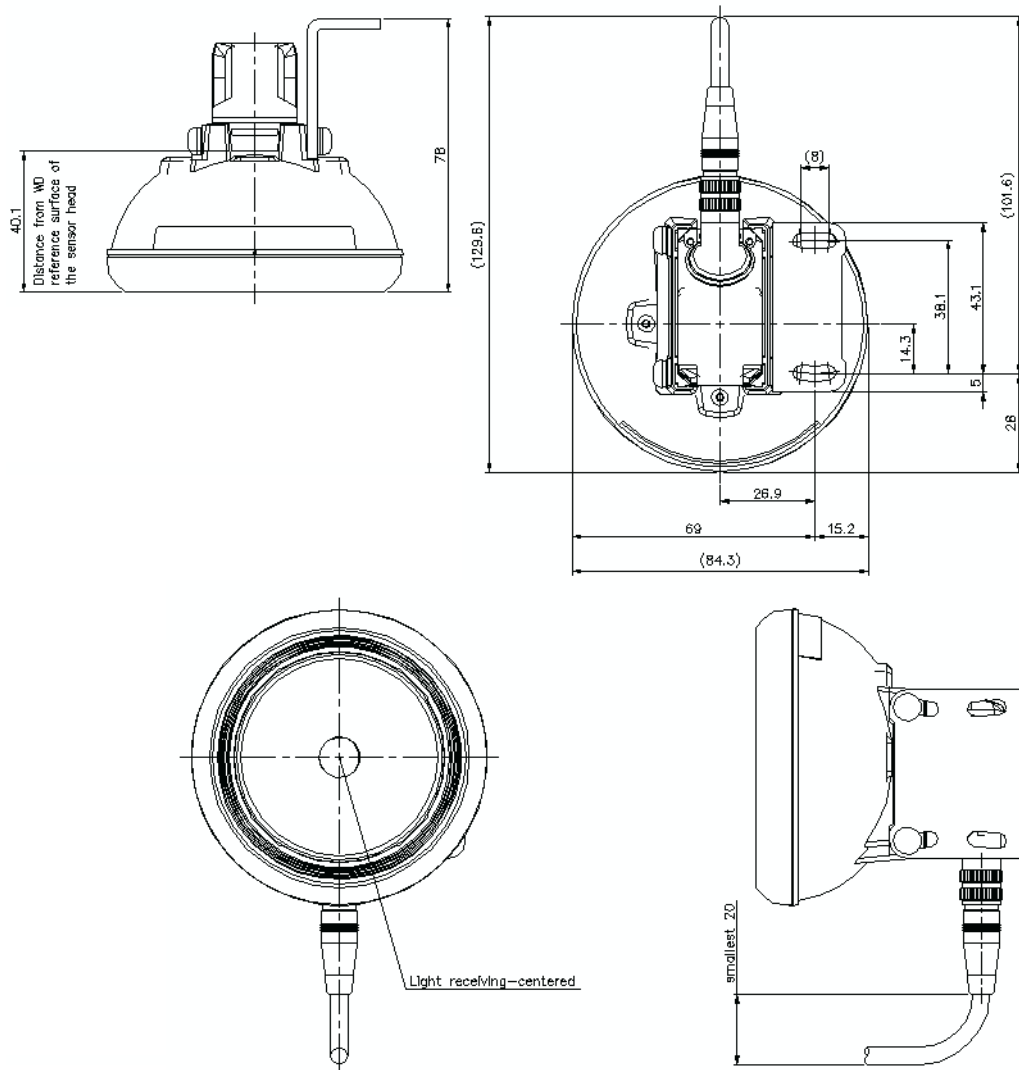


IV-G150MA/G300CA/G500CA/G500MA
/G600MA/HG150MA/HG300CA/HG500CA
/HG500MA/HG600MA/GD05/OP-87908



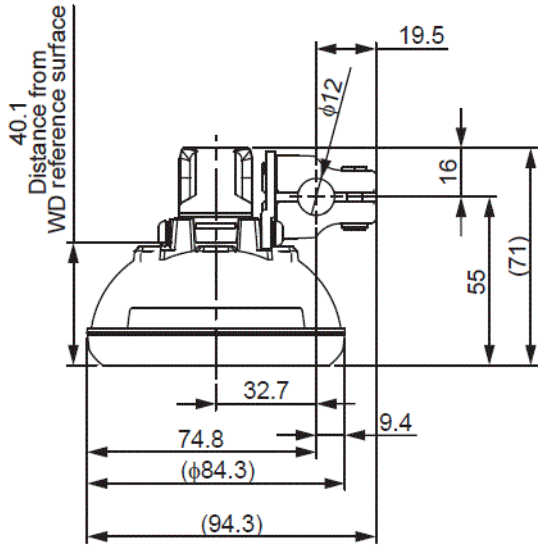
iv-g_hg_camera_gd05_op87909_dimension_01.gif

IV-G150MA/G300CA/G500CA/G500MA
 /G600MA/HG150MA/HG300CA/HG500CA
 /HG500MA/HG600MA/GD05/OP-87909

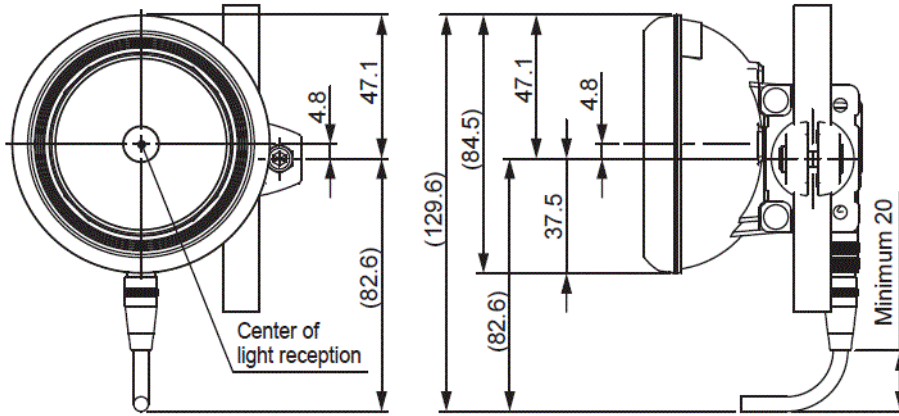


iv-g_hg_camera_gd05_op87910_dimension_01.gif

• Dome attachment for IV-HG series (IV-GD05)
with Adjustable bracket for IV-HG series (OP-87910)

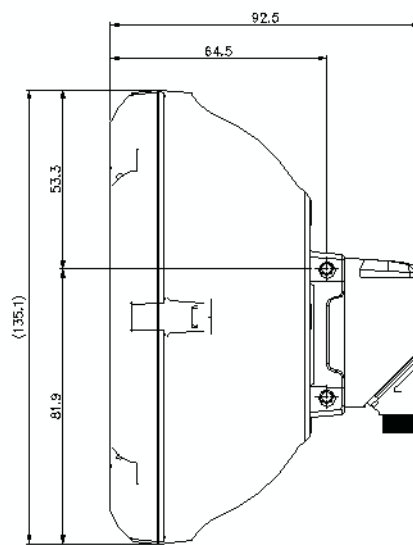
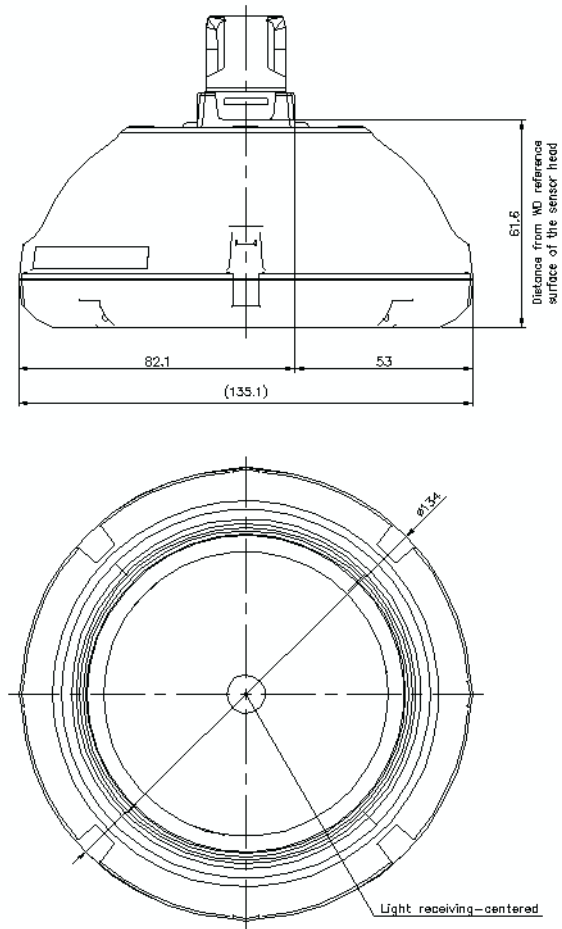


* Strut $\phi 12$ is not supplied with the OP-87910

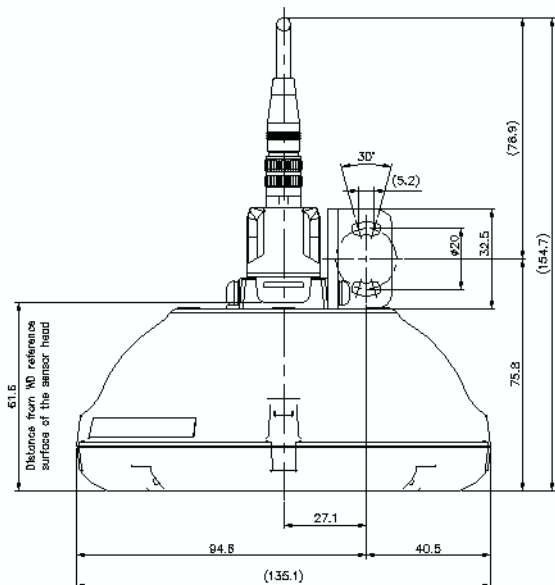


iv-g_hg_camera_gd10_dimension_01.gif

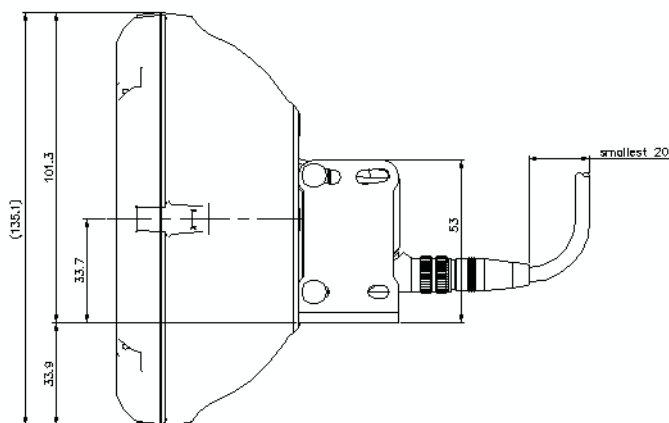
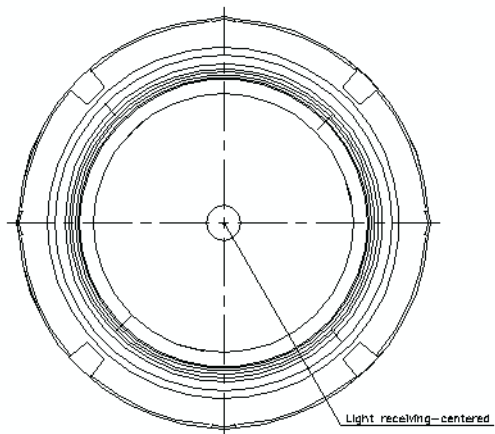
IV-G150MA/G300CA/G500CA/G500MA
 /G600MA/HG150MA/HG300CA/HG500CA
 /HG500MA/HG600MA/GD10



iv-g_hg_camera_gd10_op87908_dimension_01.gif

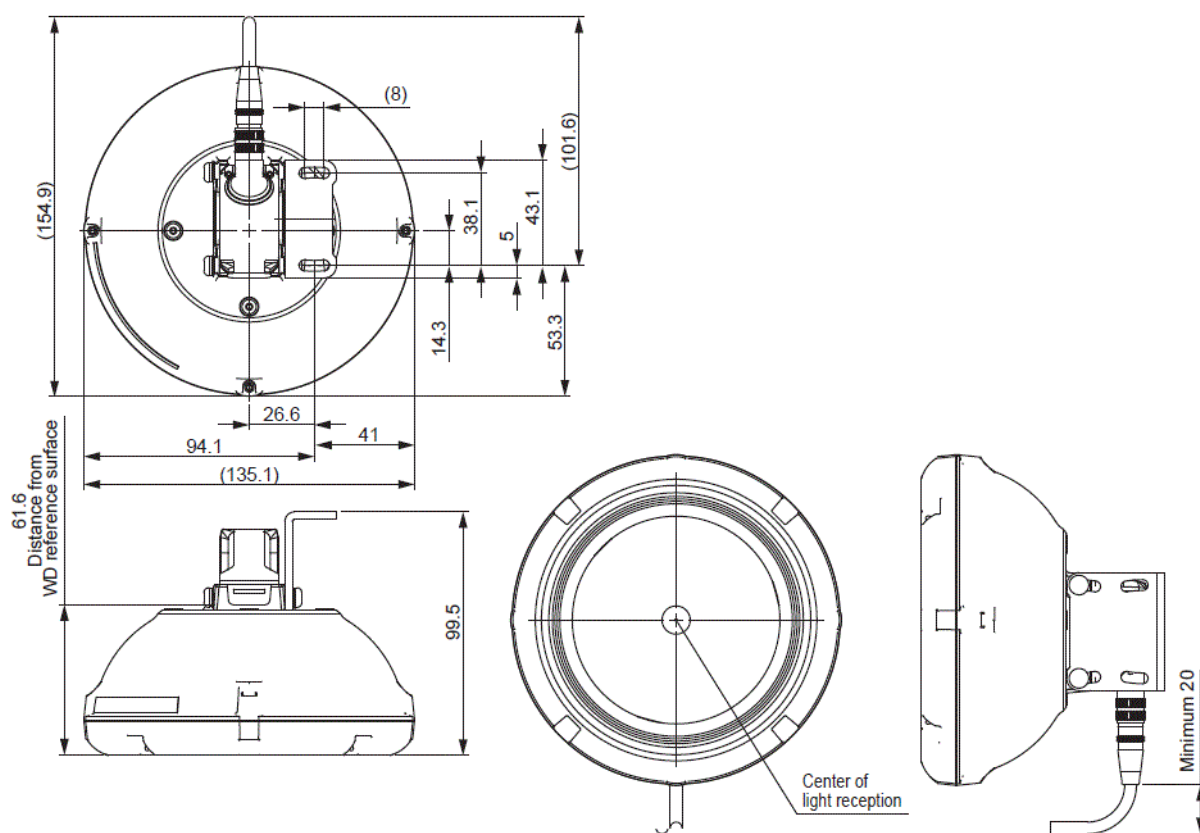


IV-G150MA/G300CA/G500CA/G500MA
 /G600MA/HG150MA/HG300CA/HG500CA
 /HG500MA/HG600MA/GD10/OP-87908



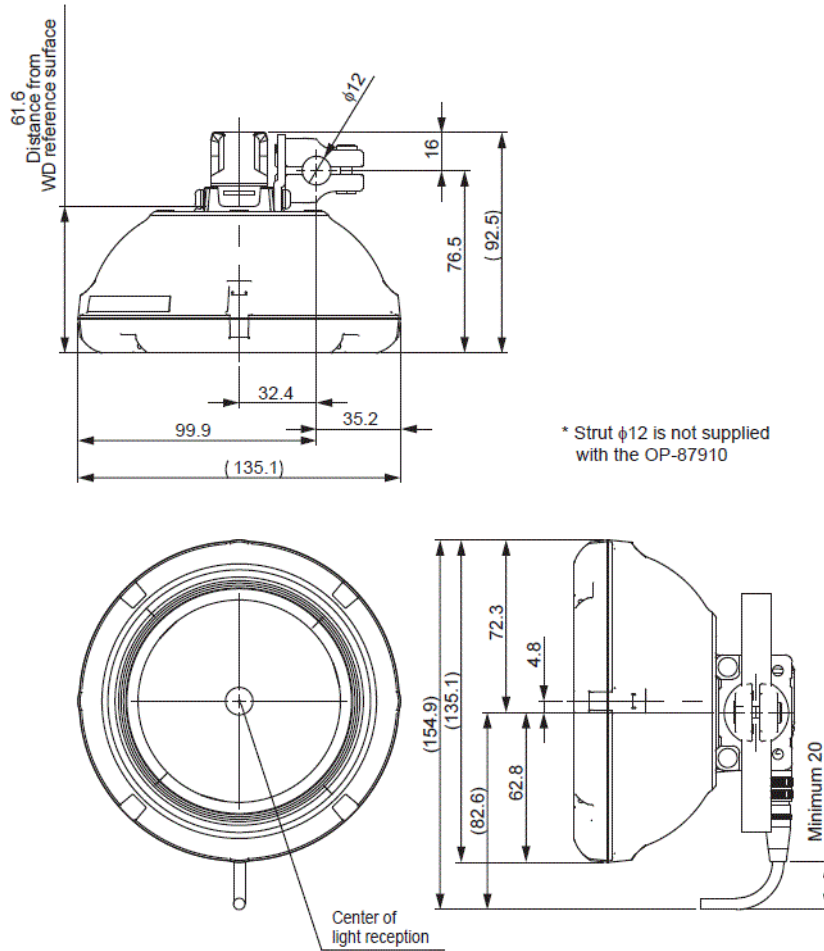
iv-g_hg_camera_gd10_op87909_dimension_01.gif

- Dome attachment for IV-HG series (IV-GD10) with
Transverse mounting bracket for IV-HG series (OP-87909)



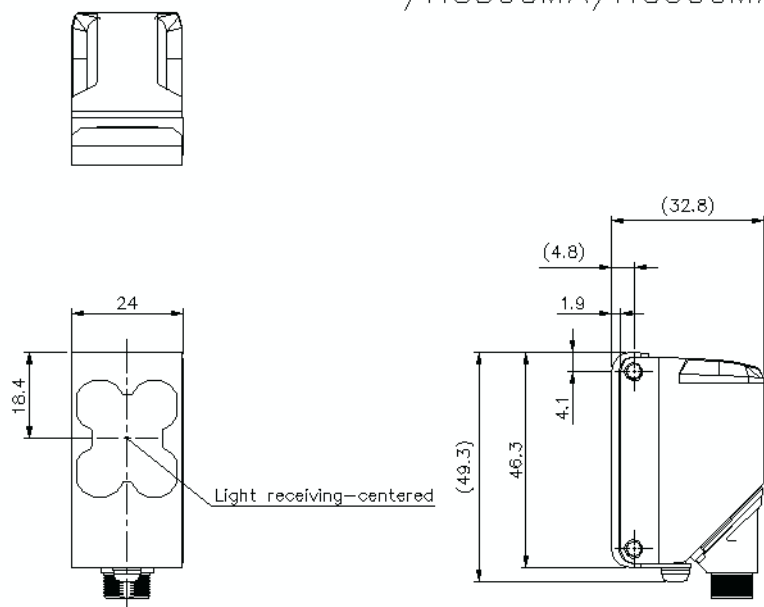
iv-g_hg_camera_gd10_op87910_dimension_01.gif

- Dome attachment for IV-HG series (IV-GD10) with Adjustable bracket for IV-HG series (OP-87910)



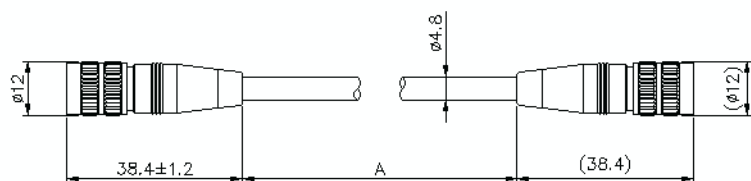
iv-g_hg_camera_op-87899-87901_dimension_01.gif

IV-G150MA/G300CA/G500CA/G500MA
 /G600MA/HG150MA/HG300CA/HG500CA
 /HG500MA/HG600MA/OP-87899/87900/87901



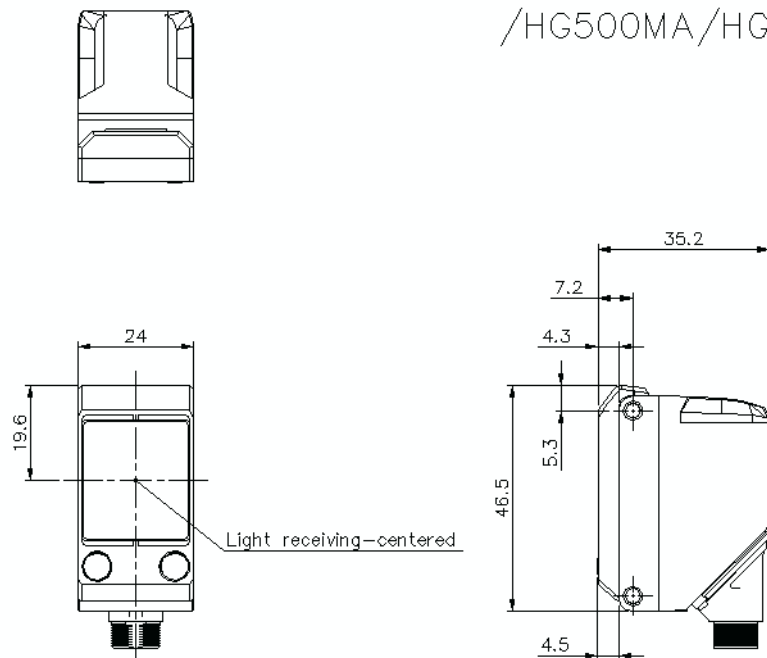
iv-g_hg_camera_op-87903-87905_dimension_01.gif

IV-G150MA/G300CA/G500CA/G500MA
 /G600MA/HG150MA/HG300CA/HG500CA
 /HG500MA/HG600MA/OP-87903/87904/87905



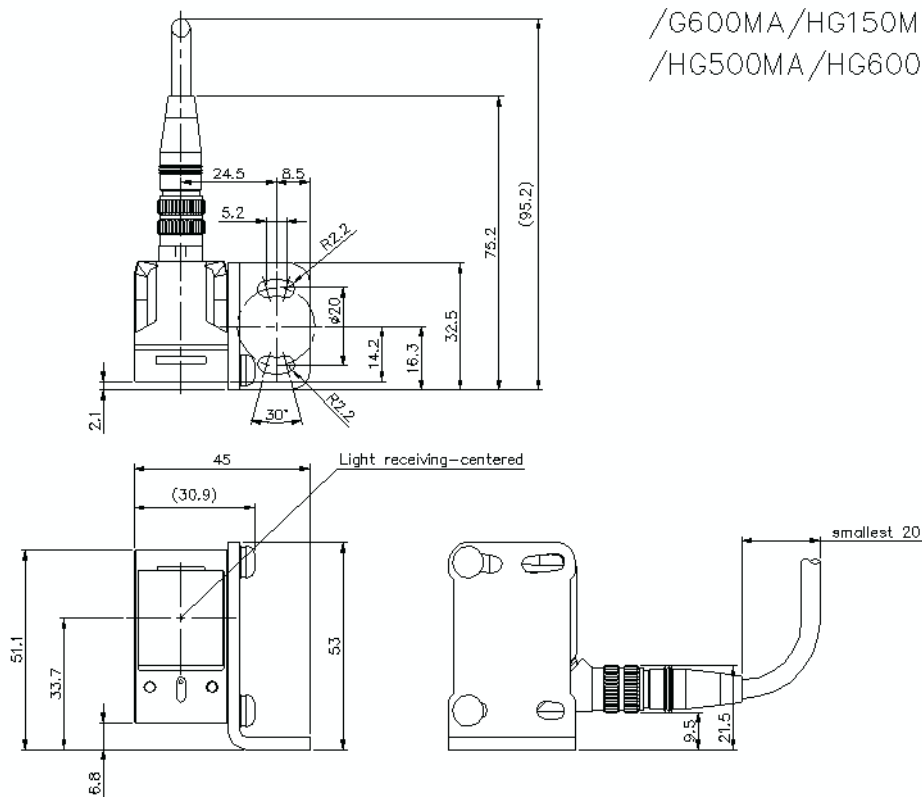
	A
OP-87903	2000
OP-87904	5000
OP-87905	10000

iv-g_hg_camera_op87902_dimension_01.gif

IV-G150MA/G300CA/G500CA/G500MA
/G600MA/HG150MA/HG300CA/HG500CA
/HG500MA/HG600MA/OP-87902

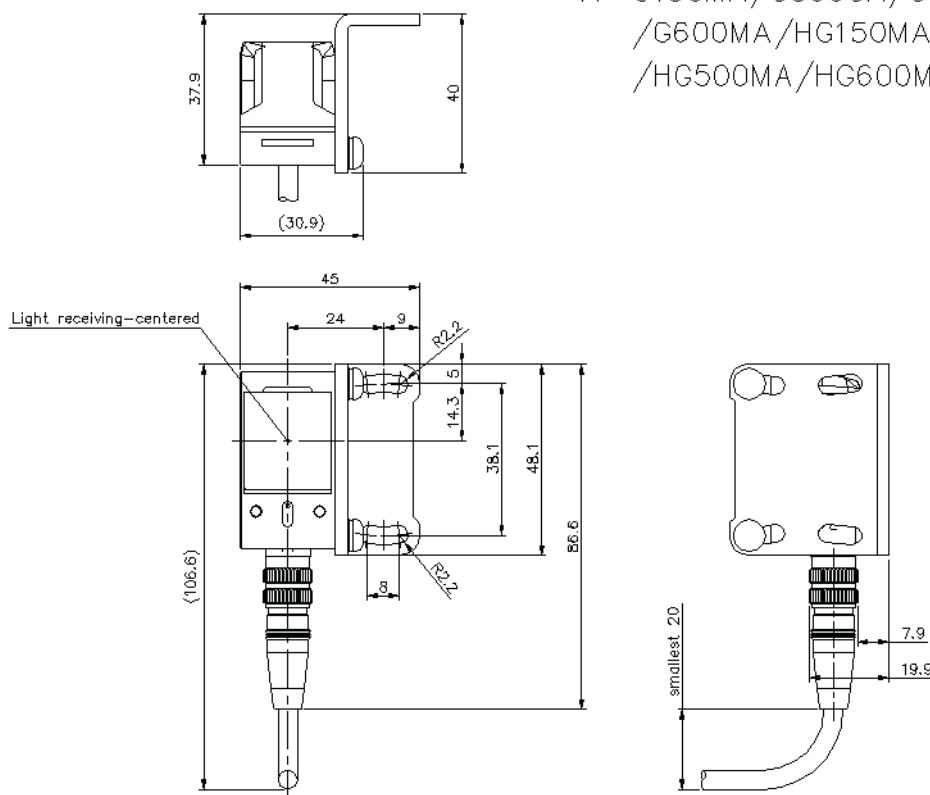
iv-g_hg_camera_op87908_dimension_01.gif

IV-G150MA/G300CA/G500CA/G500MA
 /G600MA/HG150MA/HG300CA/HG500CA
 /HG500MA/HG600MA/OP-87908

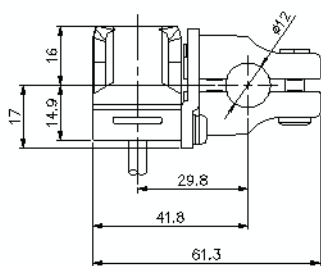


iv-g_hg_camera_op87909_dimension_01.gif

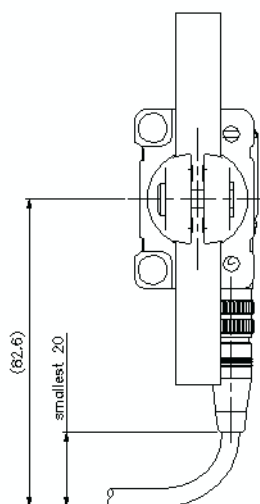
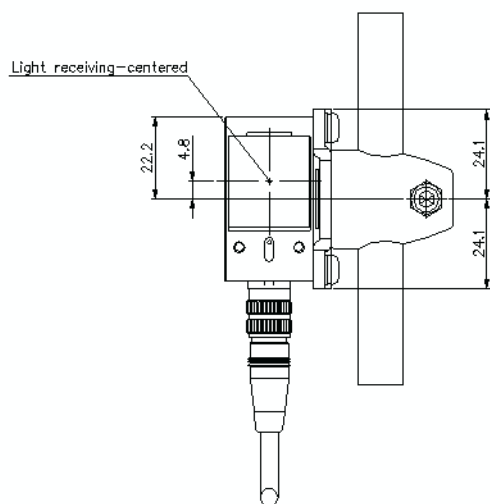
IV-G150MA/G300CA/G500CA/G500MA
 /G600MA/HG150MA/HG300CA/HG500CA
 /HG500MA/HG600MA/OP-87909



iv-g_hg_camera_op87910_dimension_01.gif



IV-G150MA/G300CA/G500CA/G500MA
 /G600MA/HG150MA/HG300CA/HG500CA
 /HG500MA/HG600MA/OP-87910



A support pipe of $\phi 12$ is not included in OP-87910.