



IV-HG15

Sensor Amplifier for IV-HG, Expansion unit



Specifications

Model	IV-HG15	
Type	Expansion unit	
Tools	Type	Shape Detection, Color Area*1, Area*2, Edge Pixels, Width/Height, Diameter, Edge Presence, Pitch, Position Adjustment, High Speed Position Adjustment (1-Axis/2-Axis Adjustment), OCR*3
	Number	Detection tools: 16 tools, position adjustment tool: 1 tool*4
Switch settings (programs)	32 programs	
Image history	Numbers	When using a color type head: 100 images*5, when using a monochrome type head: 300 images*6*7
	Condition	NG only/All is selectable*7
Analysis information	<p>OFF/Statistics/Histograms/Matching rate list is switchable</p> <p>Statistics: Processing time (latest value, MAX, MIN, AVE), number of OKs, number of NGs, trigger numbers, trigger errors, judgment results list by tools</p> <p>Histograms: Histogram, matching degree (latest value, MAX, MIN, AVE), numbers of OKs, numbers of NGs</p> <p>Matching rate list: Judgment results list by tools, matching rate list by tools, judgment bar list by tools*8</p>	
Other functions	<p>HDR, HighGain, Color filters*1, Digital zoom (2x, 4x)*9, Brightness correction, Tilt correction, White balance*1, Mask function, Color histogram, Test run, ToolAuto-Tune, Input monitor, Output test, Security settings, Simulator, Mutual interference prevention, Direct connection (2 units or more), Sensor date/time information addition, Scaling function, Failing sensor list, Failure hold</p>	
Indicators	PWR/ERR, OUT, TRIG, STATUS, LINK/ACT	
Input	Type	<p>Non-voltage input/voltage input is switchable</p> <p>For non-voltage input: ON voltage 2 V or lower, OFF current 0.1 mA or lower, ON current 2 mA (short circuit)</p> <p>For voltage input: Maximum input rating 26.4 V, ON voltage 18 V or higher, OFF current 0.2 mA or lower, ON current 2 mA (for 24 V)</p>
	Inputs	6 inputs (IN1 to IN6)
	Function	<p>IN1: External trigger, IN2 to IN6: Enable by assigning the optional functions</p> <p>Assignable functions: Program switching, Clear error, External master image registration, Main unit/expansion unit simultaneous input</p>
Output	Type	<p>Open collector output NPN/PNP is switchable, N.O./N.C. is switchable</p> <p>For open collector NPN output: Maximum rating 26.4 V 50 mA (20 mA when linked to an expansion unit [IV-HG15]), remaining voltage 1.5 V or lower</p> <p>For open collector PNP output: Maximum rating 26.4 V 50 mA (20 mA when linked to an expansion unit [IV-HG15]), remaining voltage 2 V or lower</p>
	Outputs	8 outputs (OUT1 to OUT8)
	Function	<p>Enable by assigning the optional functions</p> <p>Assignable functions: Total judgment result, RUN, BUSY, Error, Position adjustment result, Judgment result of each tool, Result of the logical operation of each tool, Main unit/expansion unit logical output</p>
Ethernet	Standard	100BASE-TX/10BASE-T*10
	Connector	RJ-45 8pin connector*10

Network function		FTP client, EtherNet/IP®, PROFINET
Rating	Power voltage	Supplied from main unit
	Current consumption	0.8 A or less. 1.5 A or less when also using an expansion unit (IV-HG15). (The output load is excluded.)
Environmental resistance	Ambient temperature	0 to +50 °C 32 to 122 °F (No freezing)*11
	Relative humidity	35 to 85 % RH (No condensation)
Material		Main unit case: Polycarbonate
Weight		Approx. 150 g

*1 Color type only

*2 Monochrome type only

*3 Supported with Ver. R5.00.00 or later.

*4 Tools can be installed by programs.

*5 When using the FTP client function: 70 pictures

*6 When using the FTP client function: 210 pictures

*7 Saves to the sensor amplifier's internal memory. The images saved to the sensor amplifier can be backed up to the USB memory device inserted into the intelligent monitor (IV-M30) or to the PC by the software for the IV-H/IV-HG Series (IV-H1).

*8 This can be displayed on the intelligent monitor (IV-M30) or by software for the IV-H/IV-HG Series (IV-H1).

*9 Possible with both the color type and monochrome type

*10 This is for connection with the intelligent monitor (IV-M30) or software for the IV-H/IV-HG Series (IV-H1).

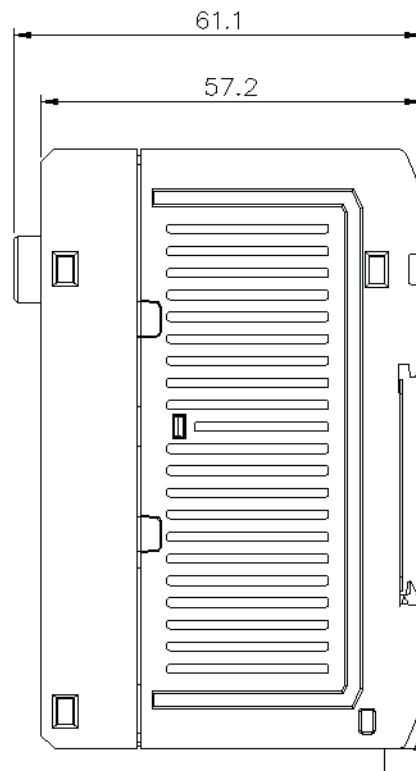
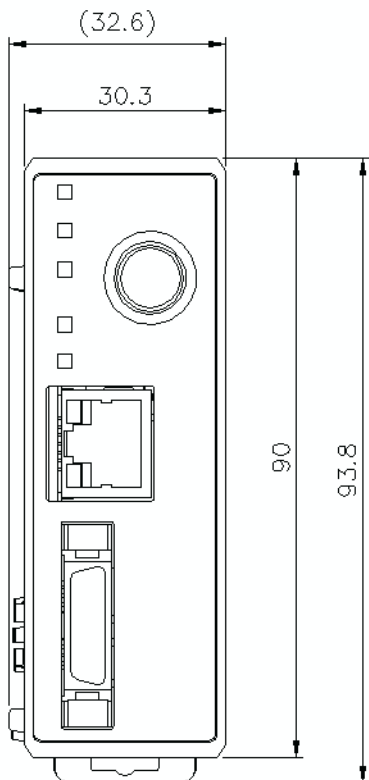
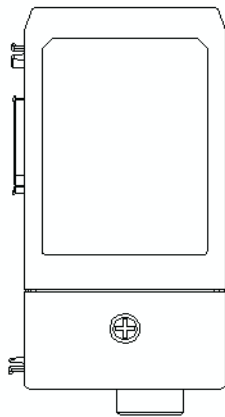
*11 When attaching the sensor amplifier to a DIN rail, attach the sensor amplifier to a metal plate.

Dimensions

* Download CAD file or product manual for larger image/text and more detail.

iv-g15_hg15_dimension_01.gif

IV-G15/HG15



iv-g_hg_amp_endunit_dimension_01.gif

IV-G10/HG10/G15/HG15

