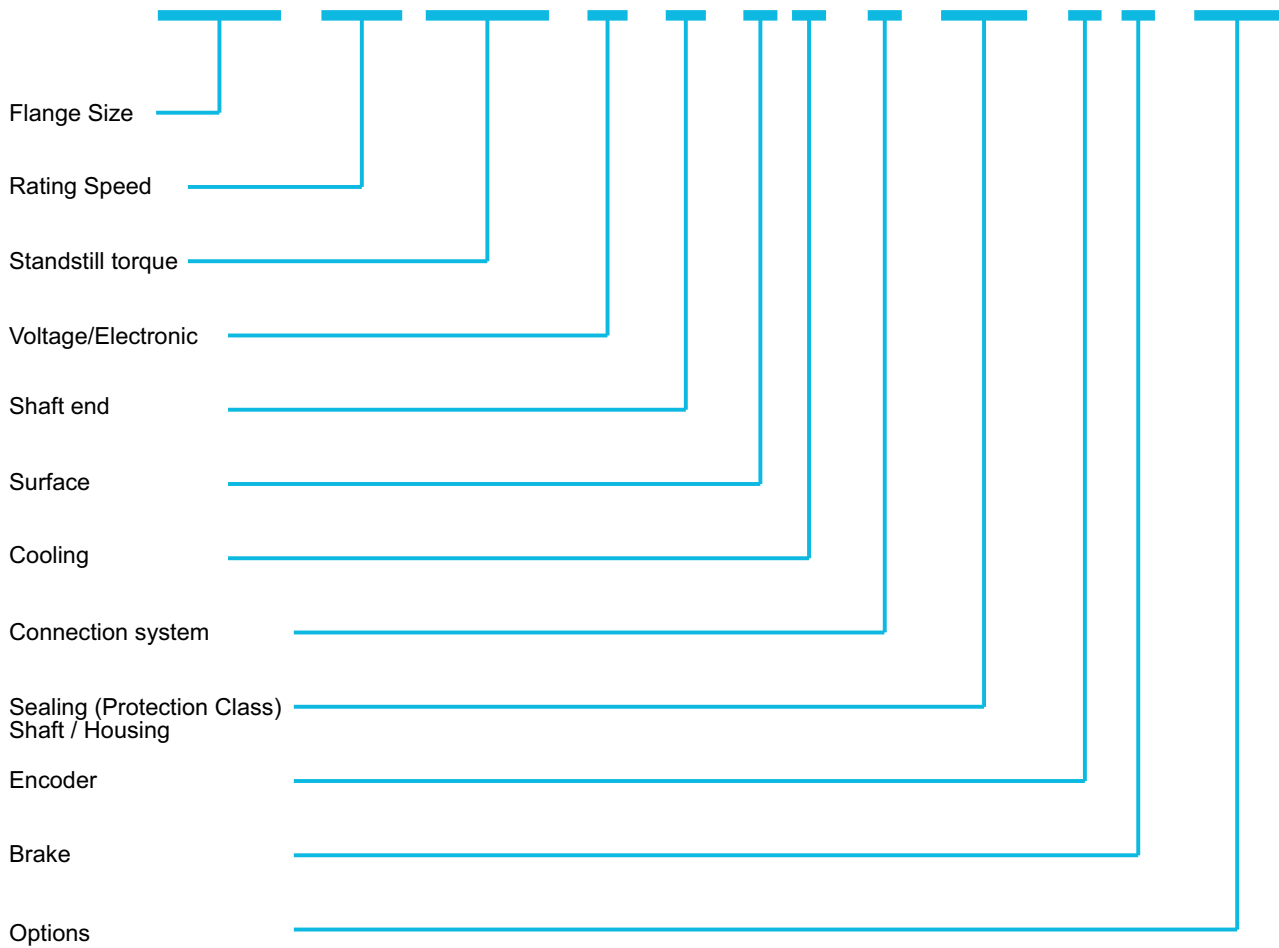


5.6 Type code

iSH070/60017/0/0/00/0/00/00/00



Flange Size

070, 100

Rating Speed x 100 min⁻¹
(30)

Standstill torque /10 Nm
(e.g. 011, 017, 022, 025, 044, 058)

Voltage
0 = DC 560V / integr. servo electronic

Shaft end
0 = Smooth shaft
1 = Keyed shaft according to DIN 6885
3 = Smooth shaft, stainless steel
4 = Keyed shaft, stainless steel according to DIN 6885

Surface

0 = Standard coating

Cooling
0 = Self-cooling

Connection system
0 = Hybrid connector

Sealing (Protection class) Shaft

0x = Without shaft sealing
(IP54 excl. IM V3: IP40)
1x = Shaft sealing (IP65)

Sealing (Protection class) Housing

x0 = Standard IP65

Encoder
0 = SinCos SKS 36
1 = SinCos SKM 36

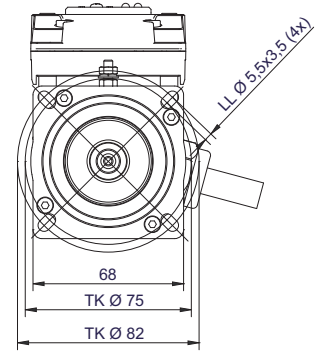
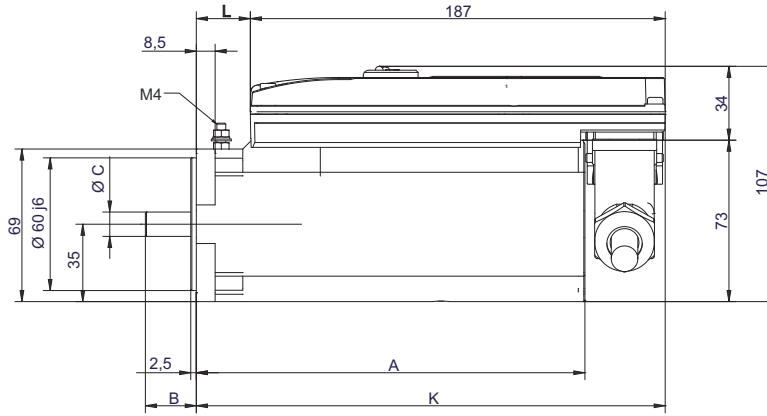
Brake
0 = Without holding brake
1 = With holding brake

Options
00 = Without option
01 = iSH-DIS1 connected

6.8 Dimensions

Dimensions of the iSH-070

without Option-module



with Option-module

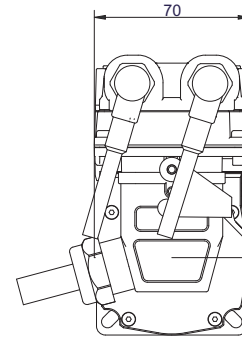
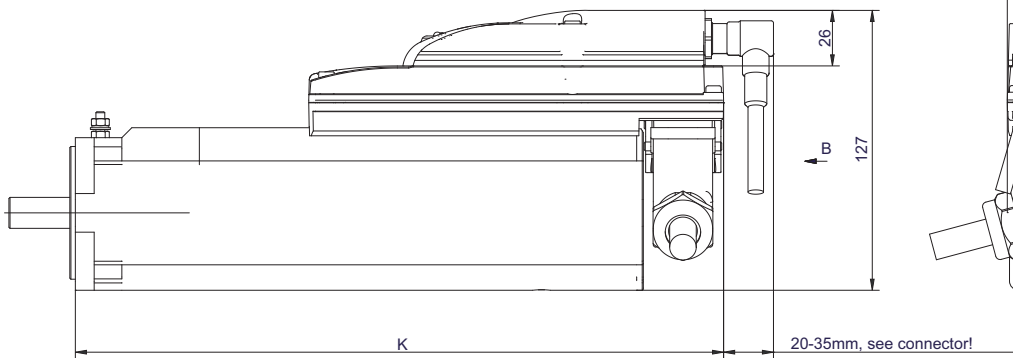


Figure 6-14: Dimension diagram for iSH-070 motor



Please note that the iSH series 070 uses different shaft diameters. The shaft diameter for the iSH070 60 022 is 14 mm.

Dimensions table

Dimensions	iSH070 60 011	iSH070 60 017	iSH070 60 022
A (with brake)	175 (182)	189 (215)	222 (256)
B	23	23	30
C	11 k6	11 k6	14 k6
K (with brake)	212 (219)	226 (252)	259 (293)
L (with brake)	25 (31)	38 (64)	71 (105)

Table 6-16: Dimensions of the iSH 070 (dimension specifications in mm)

Dimensions of the iSH-feather key

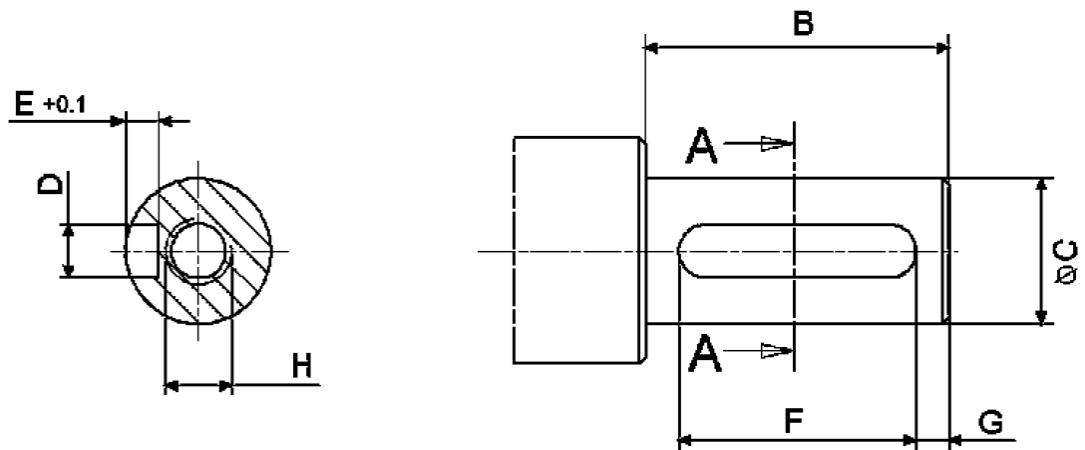


Figure 6-17: Dimension diagram iSH feather key

Dimension tables

Dimensions	iSH070 60 011	iSH070 60 017	iSH070 60 022
B	23	23	30
C	11 k6	11 k6	14 k6
D	4 N9	4 N9	5 N9
E	2.5	2.5	3
F	18	18	20
G	2.5	2.5	5
H	DIN 332-D M4	DIN 332-D M4	DIN 332-D M5
Feather key (N9)	DIN 6885-A4x4x18	DIN 6885-A4x4x18	DIN 6885-A5x5x20

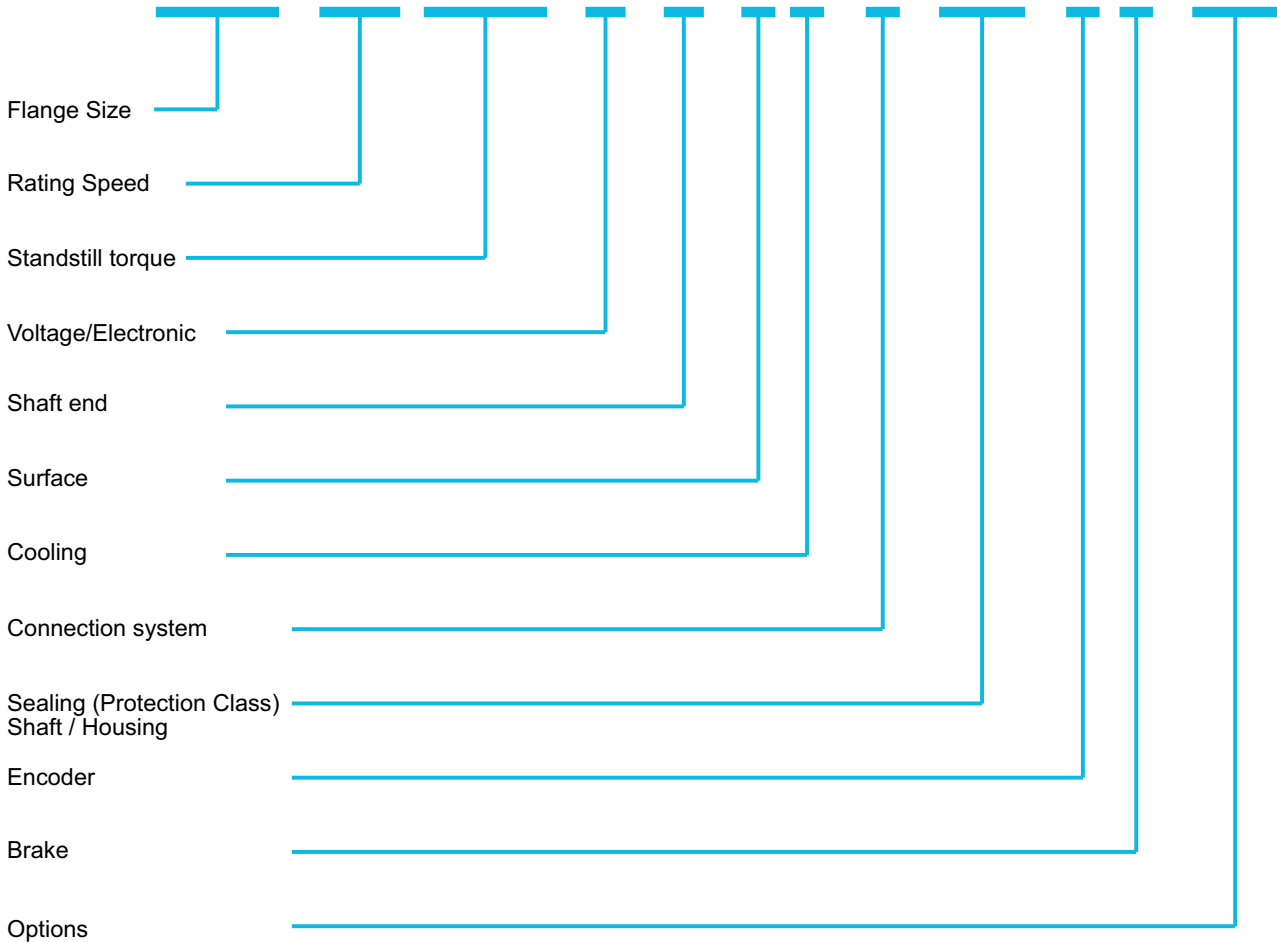
Table 6-19: Dimensions of the iSH-070 feather key (in mm)

Dimensions	iSH100 30 025	iSH100 30 044	iSH100 30 058
B	40	40	40
C	19 k6	19 k6	19 k6
D	6 N9	6 N9	6 N9
E	3.5	3.5	3.5
F	30	30	30
G	5	5	5
H	DIN 332-D M6	DIN 332-D M6	DIN 332-D M6
Feather key (N9)	DIN 6885-A6x6x30	DIN 6885-A6x6x30	DIN 6885-A6x6x30

Table 6-20: Dimensions of the iSH-100 feather key (in mm)

7 Type code

iSH070/60017/0/0/00/0/00/00/00



Flange Size

070, 100

Rating Speed x 100 min⁻¹
(30)

Standstill torque /10 Nm
(e.g. 011, 017, 022, 025, 044, 058)

Voltage

0 = DC 560V / integr. servo electronic

Shaft end

0 = Smooth shaft
1 = Keyed shaft according to DIN 6885
3 = Smooth shaft, stainless steel
4 = Keyed shaft, stainless steel according to DIN 6885

Surface

0 = Standard coating

Cooling

0 = Self-cooling

Connection system

0 = Hybrid connector

Sealing (Protection class) Shaft

0x = Without shaft sealing
(IP54 excl. IM V3: IP40)
1x = Shaft sealing (IP65)

Sealing (Protection class) Housing

x0 = Standard IP65

Encoder

0 = SinCos SKS 36
1 = SinCos SKM 36

Brake

0 = Without holding brake
1 = With holding brake

Options

00 = Without option
01 = iSH-DIS1 connected