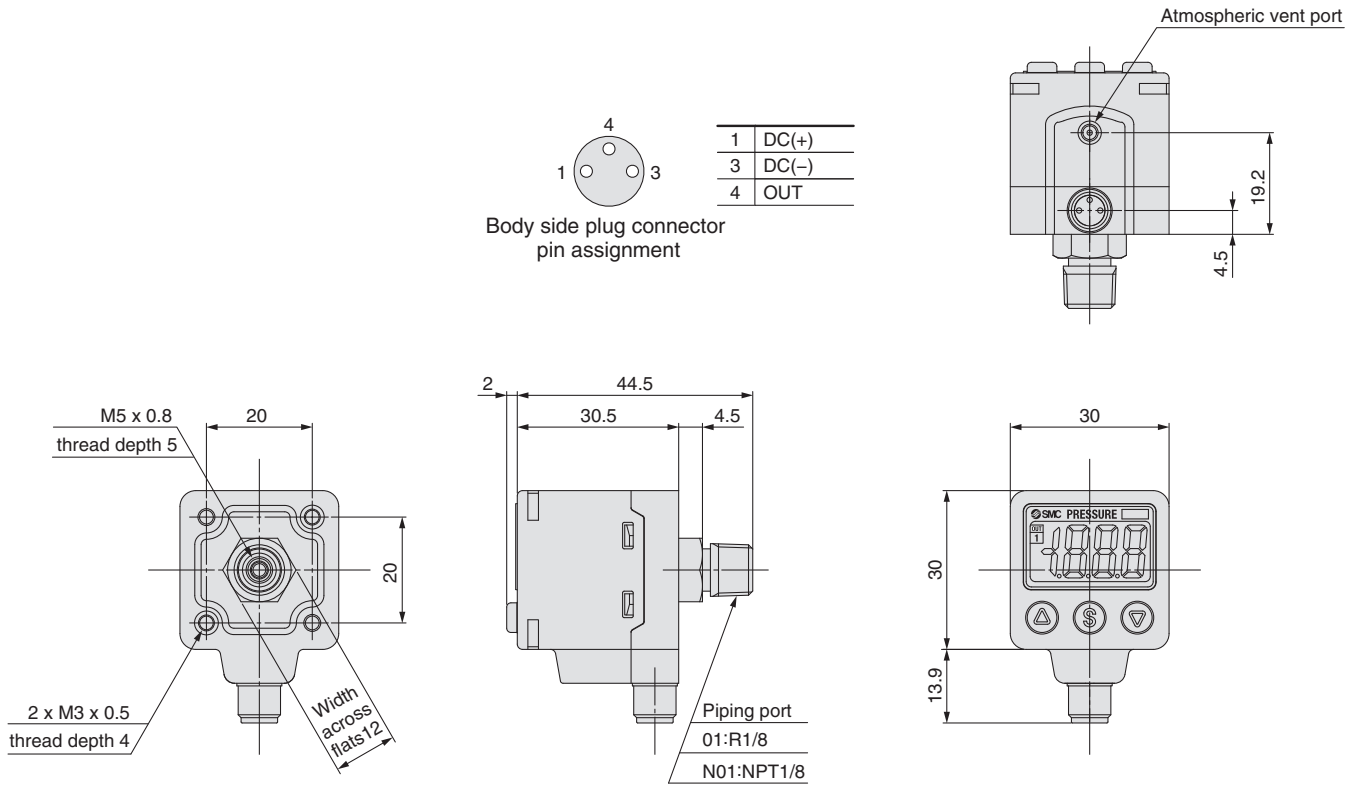


2-Colour Display High Precision Digital Pressure Switch *Series ZSE40A(F)/ISE40A*

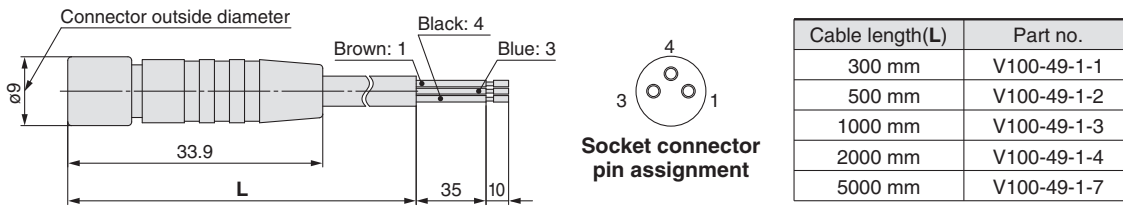
Dimensions/For M8 (3-pin) connector

ZSE40A/ISE40A-01-□-□L
-N01-□-□L

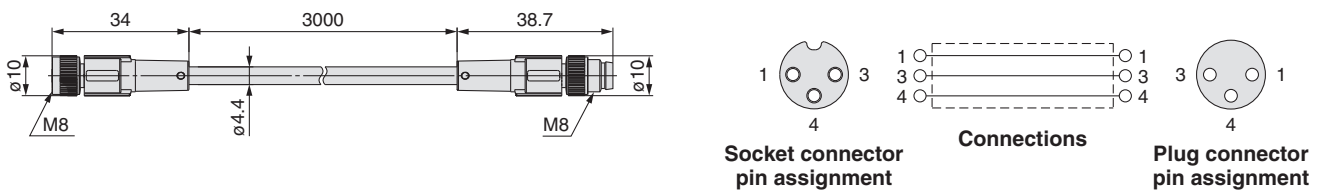


M8 (3-pin) cable with connector

V100-49-1-□



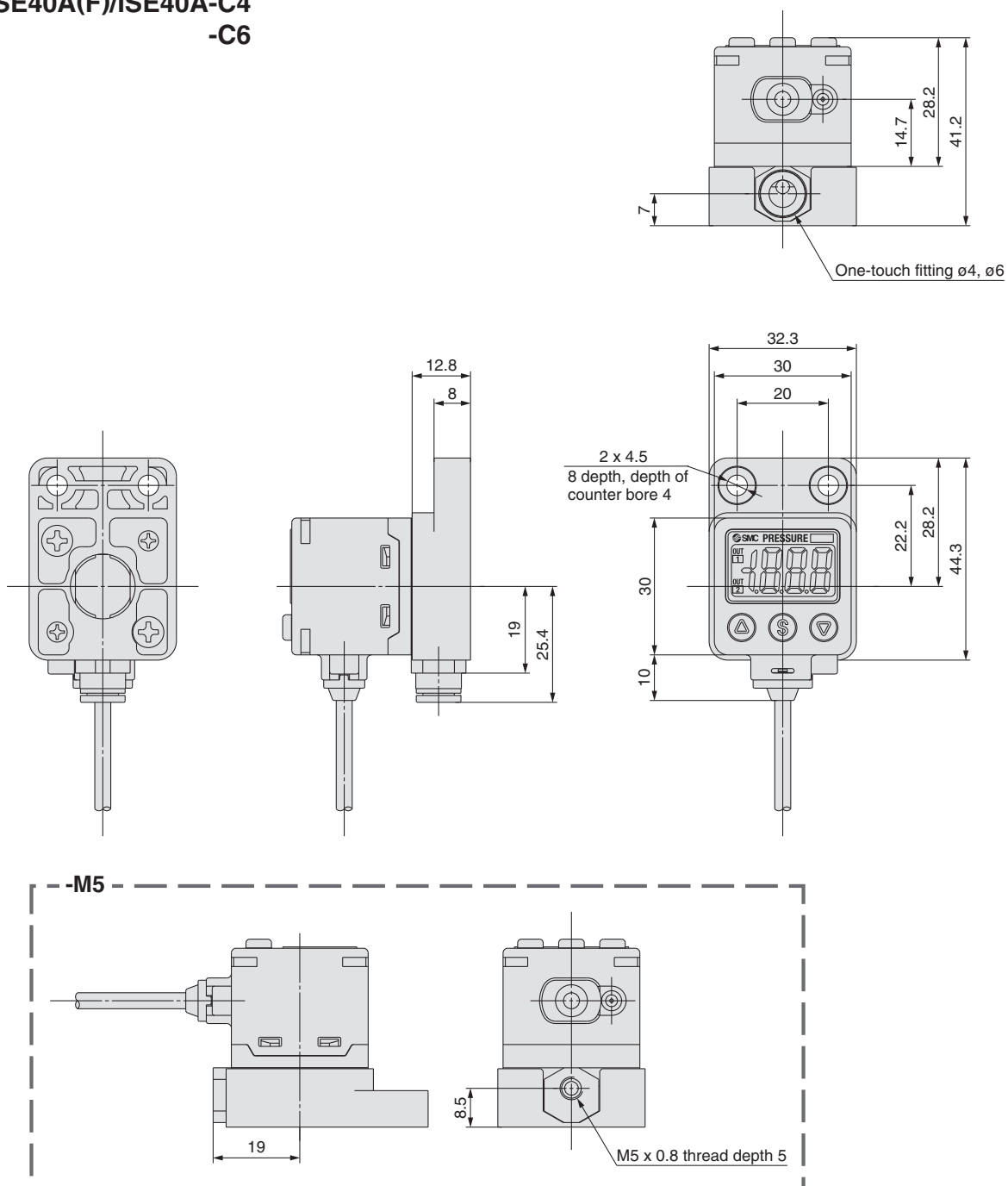
PCA-1557772



Series ZSE40A(F)/ISE40A

Dimensions

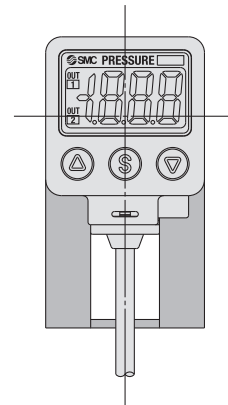
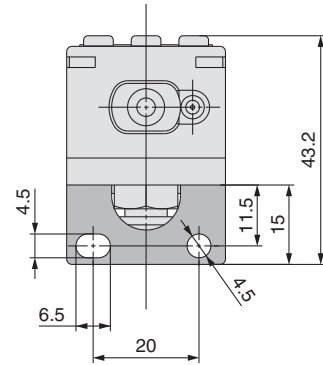
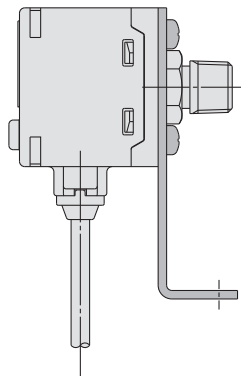
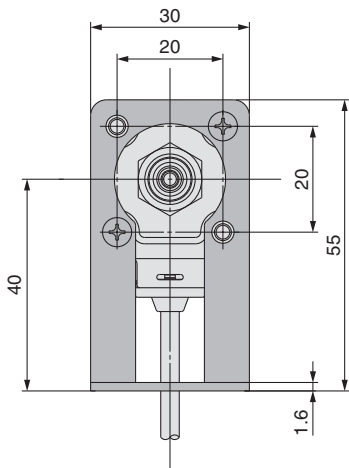
ZSE40A(F)/ISE40A-C4
-C6



Dimensions

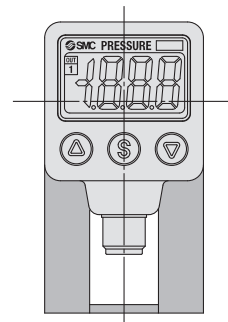
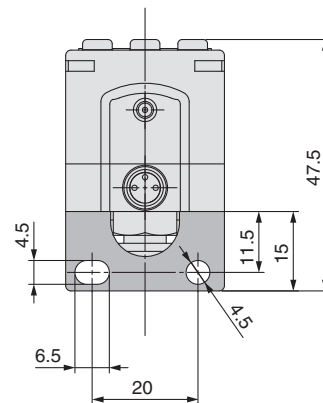
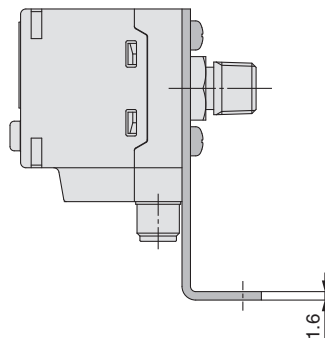
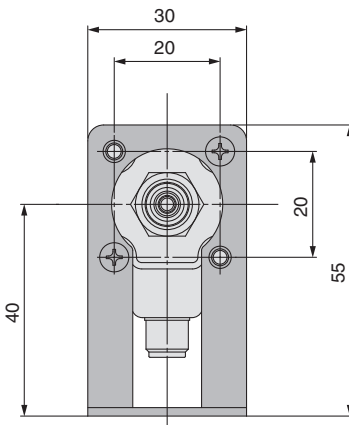
ZSE40A(F)/ISE40A-01-□-□A□
-N01-□-□A□

With bracket A



For M8 (3-pin) connector
ZSE40A/ISE40A-01-□-□LA
-N01-□-□LA

With bracket A

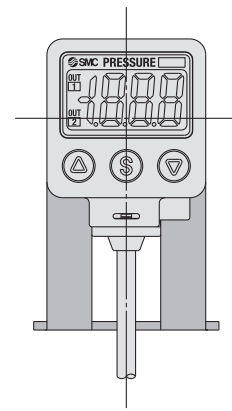
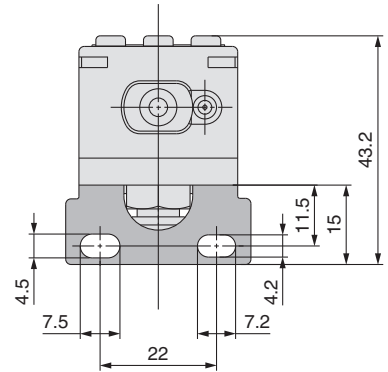
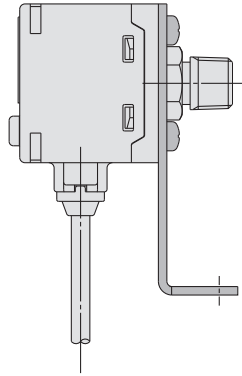
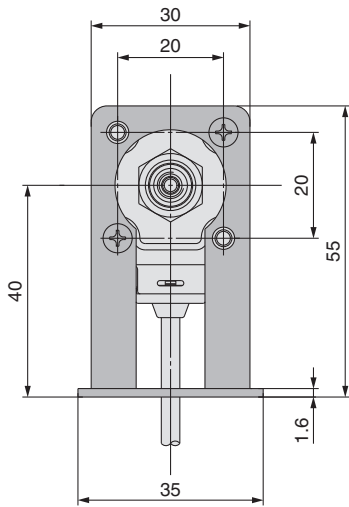


Series ZSE40A(F)/ISE40A

Dimensions

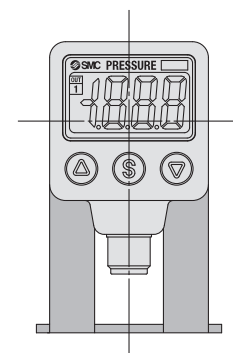
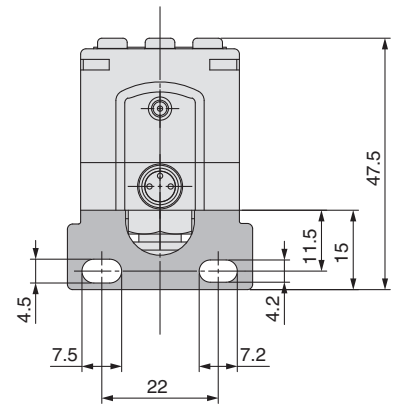
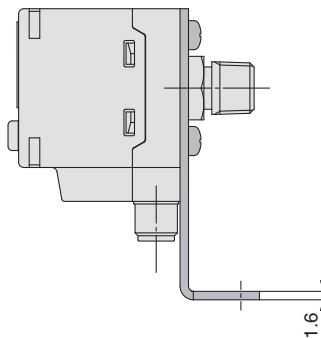
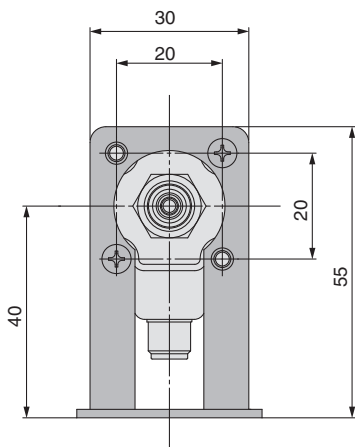
ZSE40A(F)/ISE40A-01-□-□D□
-N01-□-□D□

With bracket D



For M8 (3-pin) connector
ZSE40A/ISE40A-01-□-□LD
-N01-□-□LD

With bracket D

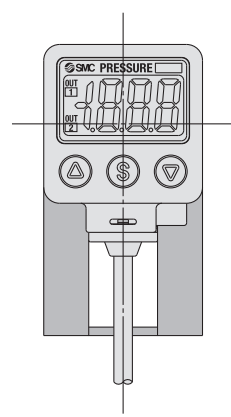
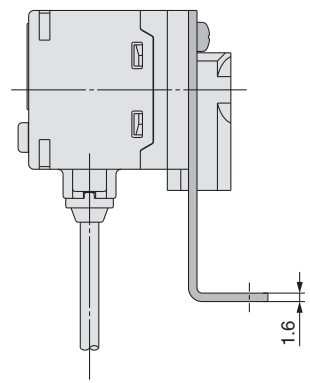
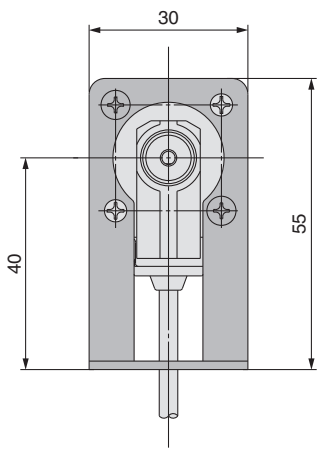
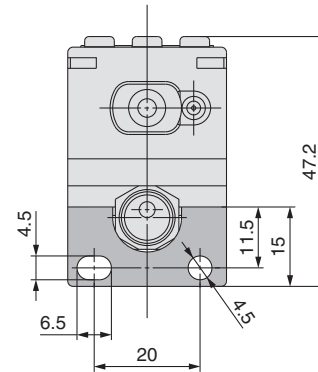


2-Colour Display High Precision
Digital Pressure Switch **Series ZSE40A(F)/ISE40A**

Dimensions

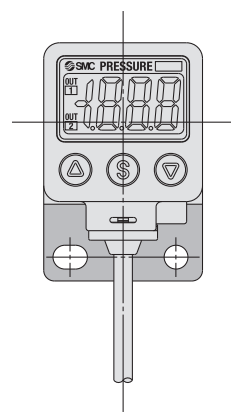
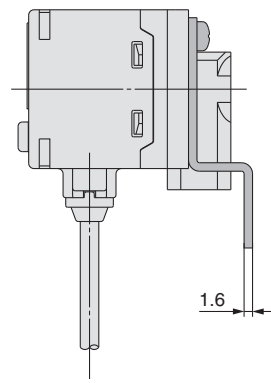
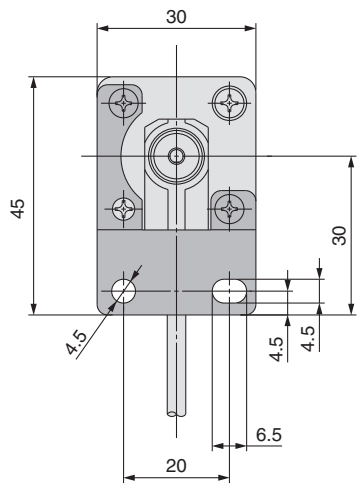
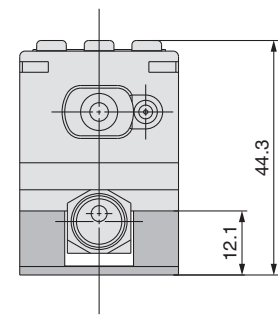
ZSE40A(F)/ISE40A-W1-□-□A□
-WF1-□-□A□

With bracket A



ZSE40A(F)/ISE40A-W1-□-□B□
-WF1-□-□B□

With bracket B

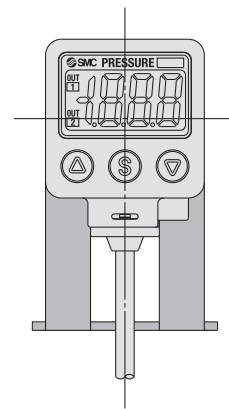
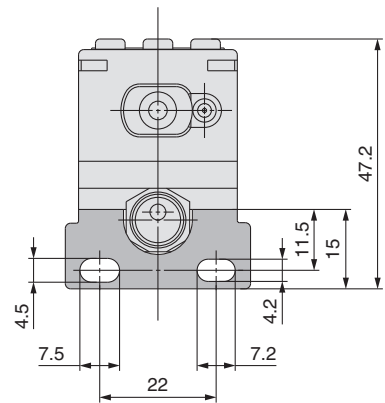
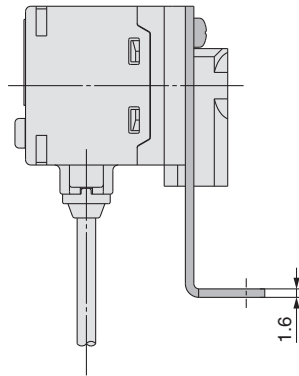
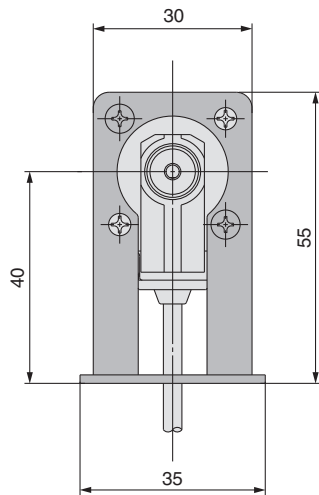


Series ZSE40A(F)/ISE40A

Dimensions

ZSE40A(F)/ISE40A-W1-□-□D□
-WF1-□-□D□

With bracket D

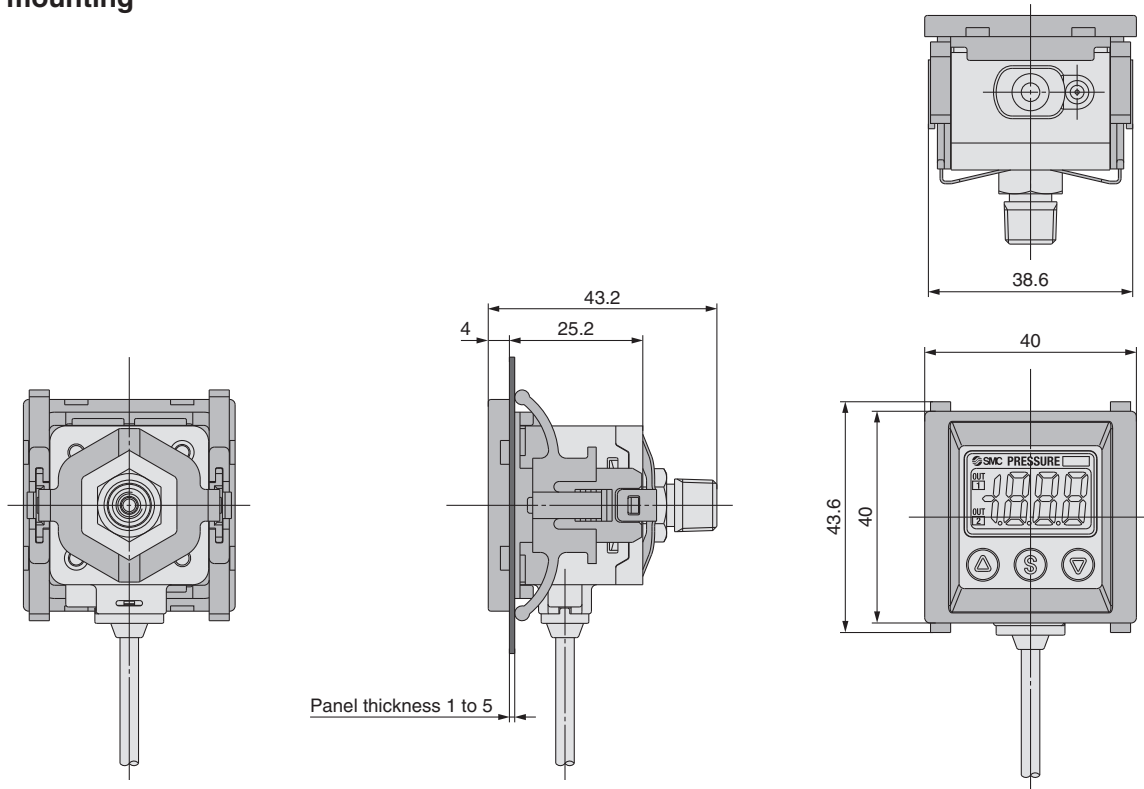


Dimensions

ZSE40A(F)/ISE40A-01-□-□E□

-N01-□-□E□

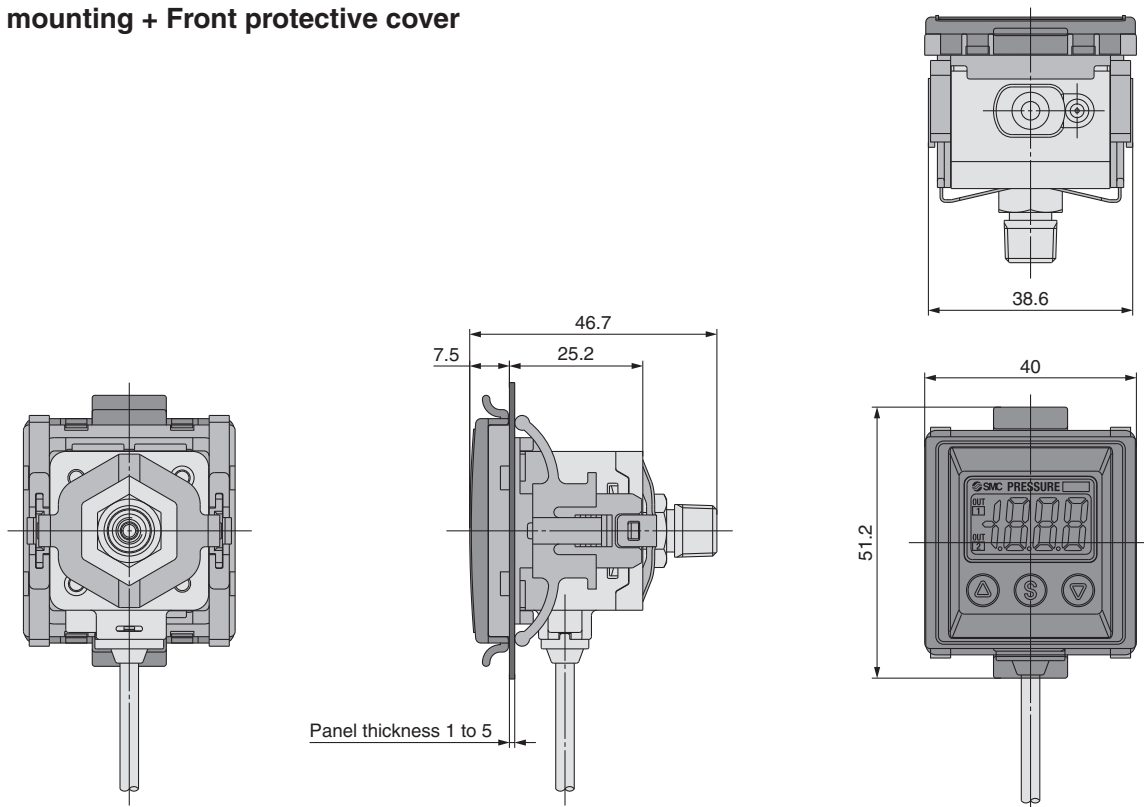
Panel mounting



ZSE40A(F)/ISE40A-01-□-□F□

-N01-□-□F□

Panel mounting + Front protective cover

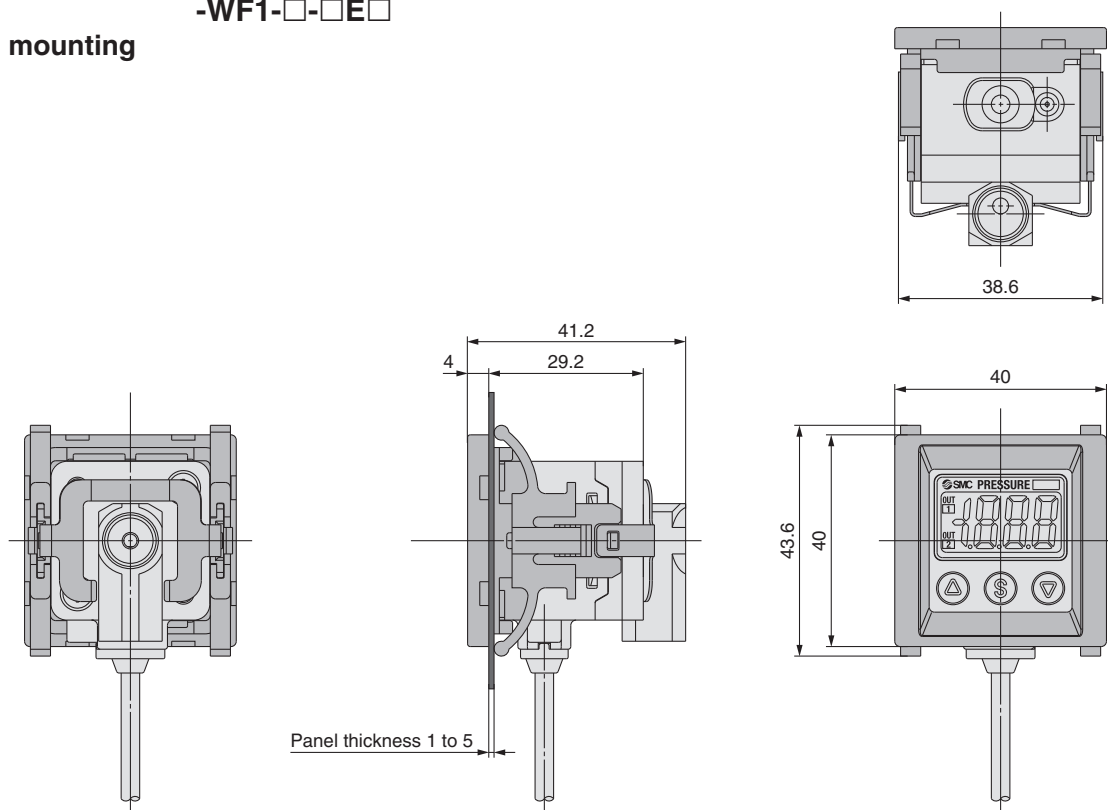


Series ZSE40A(F)/ISE40A

Dimensions

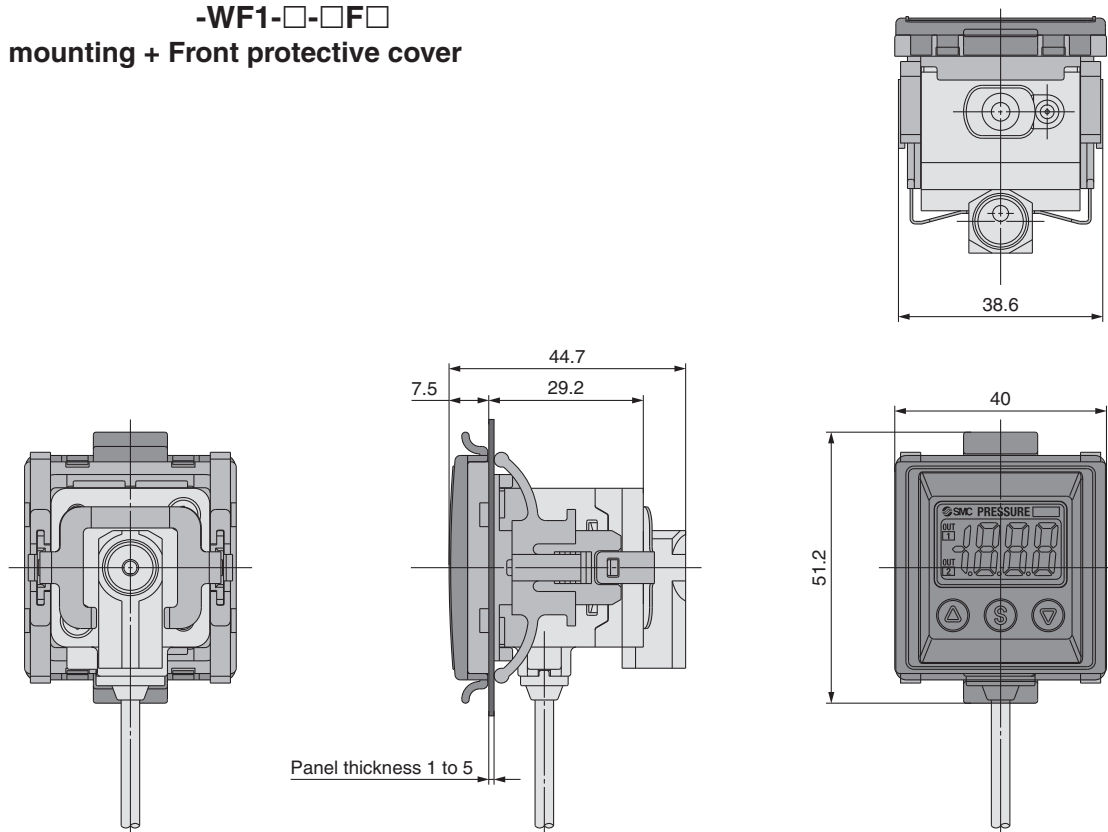
ZSE40A(F)/ISE40A-W1-□-□E□
-WF1-□-□E□

Panel mounting



ZSE40A(F)/ISE40A-W1-□-□F□
-WF1-□-□F□

Panel mounting + Front protective cover



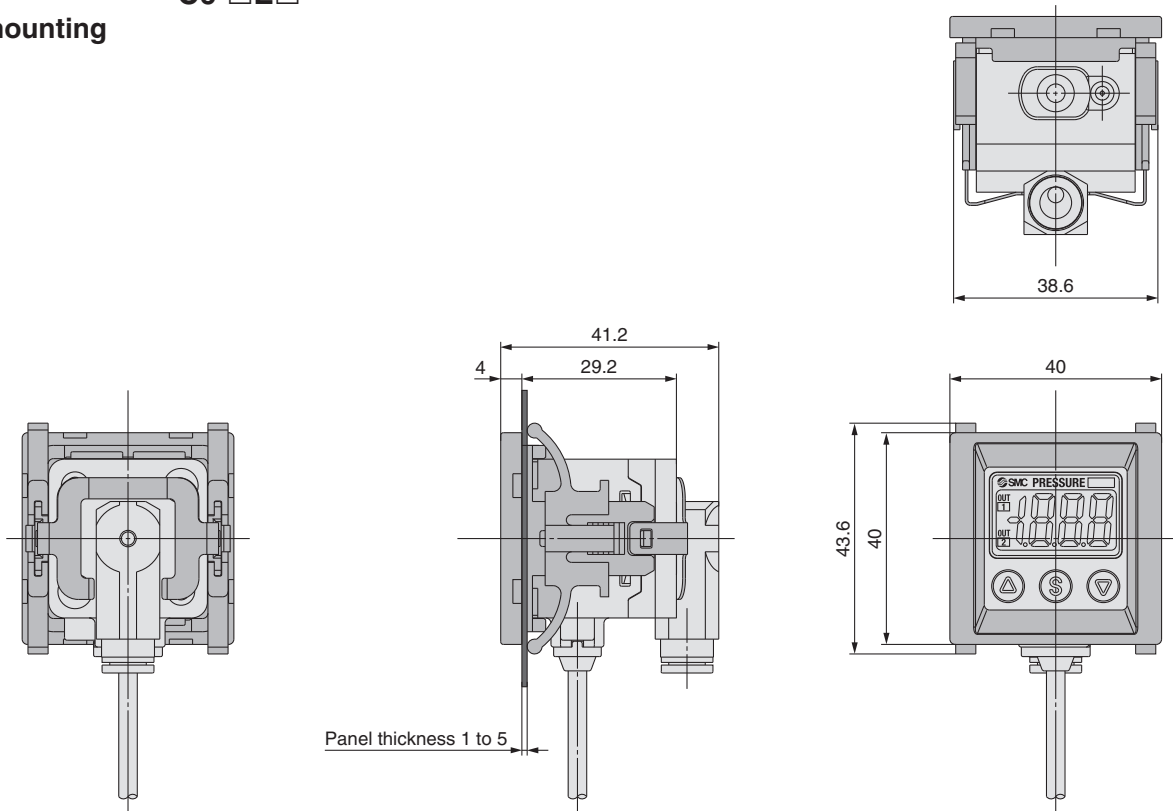
2-Colour Display High Precision
Digital Pressure Switch **Series ZSE40A(F)/ISE40A**

Dimensions

ZSE40A(F)/ISE40A-C4-□E□

-C6-□E□

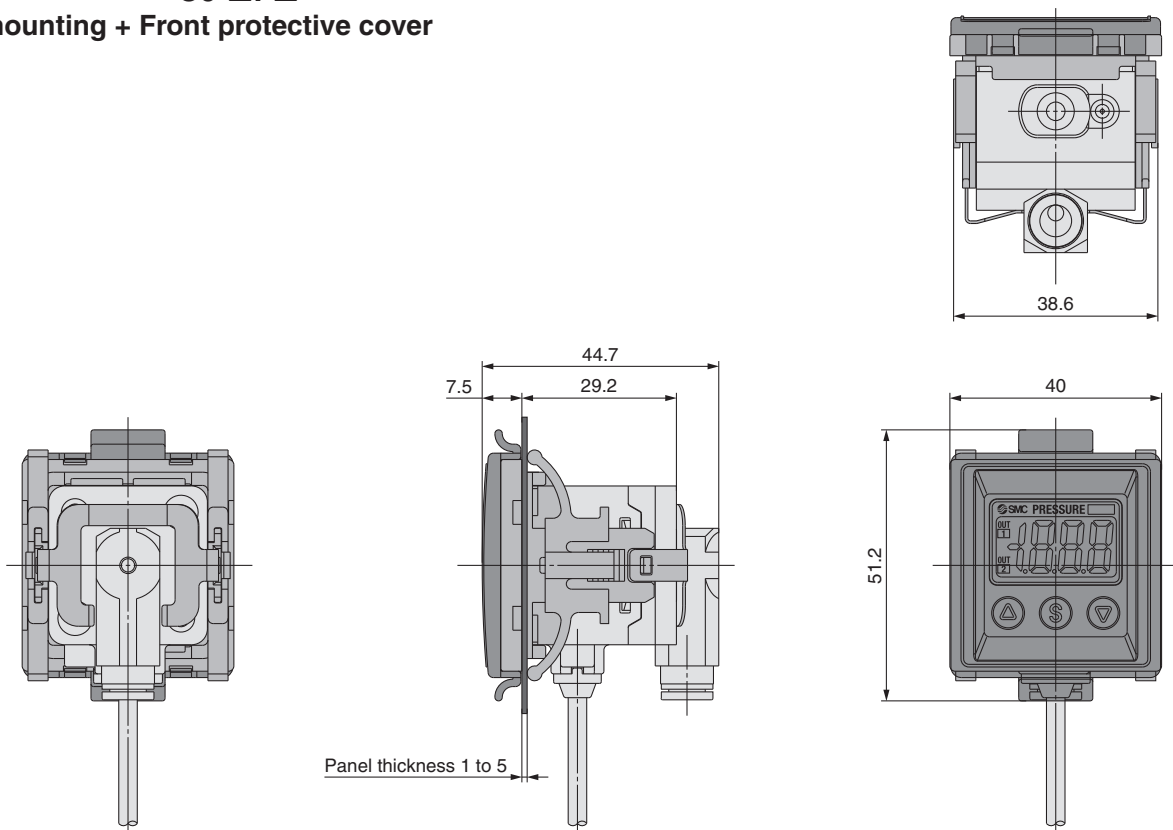
Panel mounting



ZSE40A(F)/ISE40A-C4-□F□

-C6-□F□

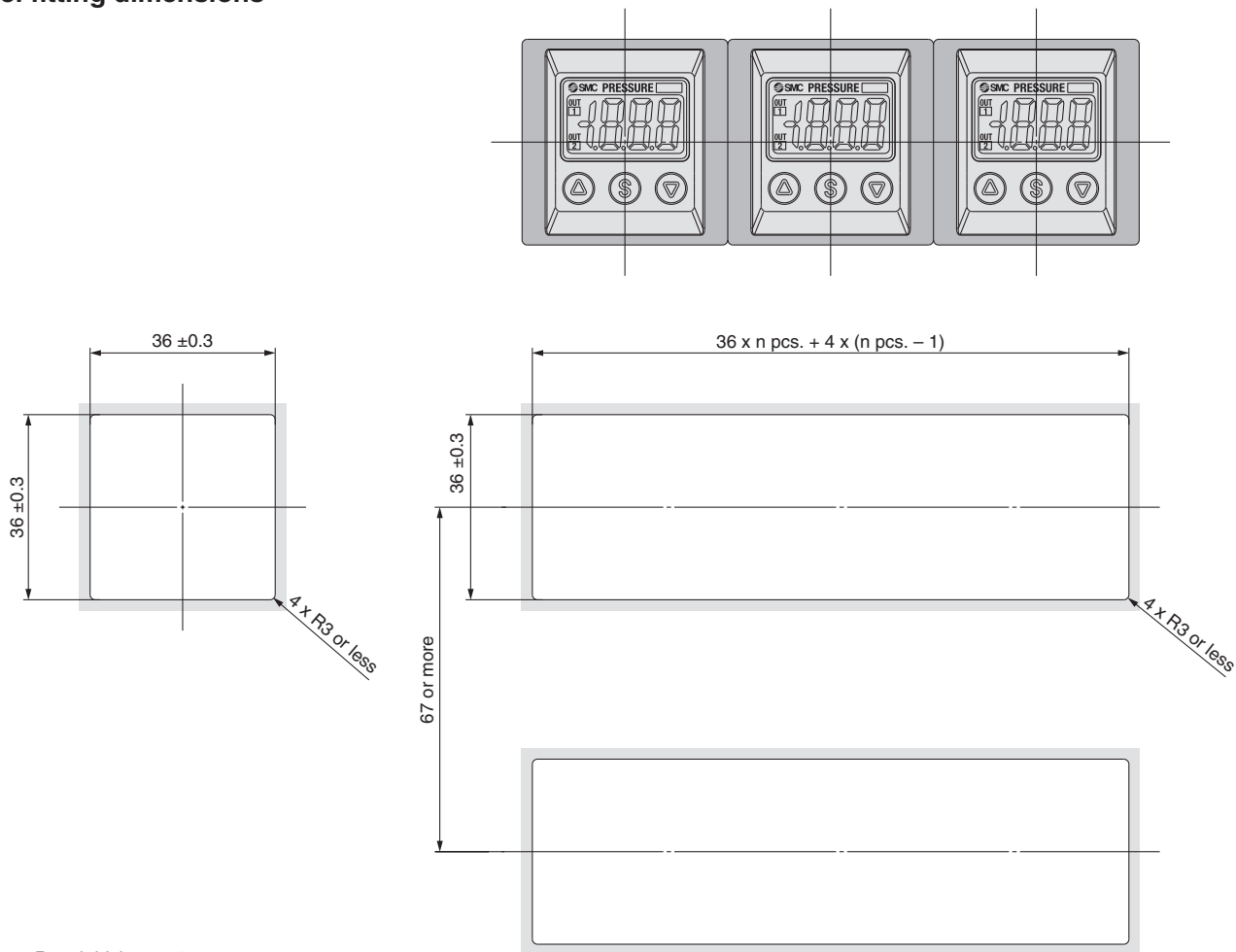
Panel mounting + Front protective cover



Series ZSE40A(F)/ISE40A

Dimensions

Panel fitting dimensions



Panel thickness 1 to 5 mm

Note) This is the minimum value for the piping method O1 or N01.

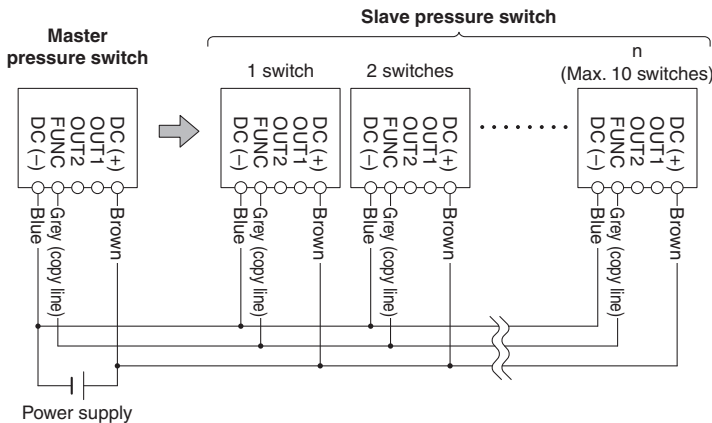
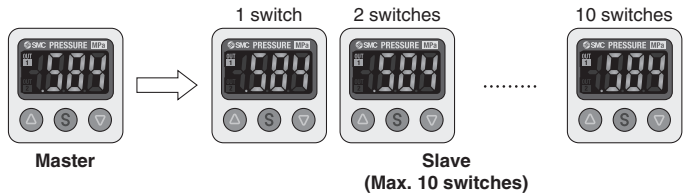
Take the piping material and tubing into account for design. When the corner is to have radius, it must be R3 or less.

Function Details

A Copy function (F97)

The settings of the master pressure switch can be copied to several slave pressure switches. This can reduce the labour for setting and prevent the entry of incorrect set-values.

The set-value can be copied to up to 10 switches simultaneously.
(Maximum communication distance 4 m)

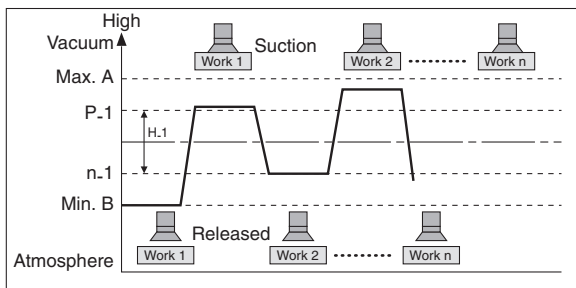


- 1) Wire as shown in the left figure.
- 2) Select the slave switch which is to be the master, and change it into a master using the buttons. (In the default setting, all switches are set as slaves.)
- 3) Press the **S** button of the master switch to start copying.

B Auto-preset function (F 4)

Auto-preset function, when selected in the initial setting, calculates and stores the set-value from the measured pressure. The optimum set-value is determined automatically by repeating vacuum and break with the target work piece several times.

Suction Verification

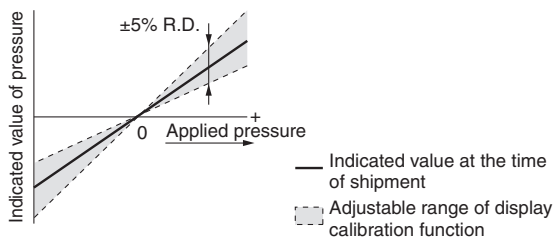


Formula for Obtaining the Set-Value

P_1 or P_2	H_1 or H_2
$P_1 (P_2) = A - (A-B)/4$	$H_1 (H_2) = (A-B)/2$
$n_1 (n_2) = B + (A-B)/4$	

C Display calibration function (F 6)

Fine adjustment of the indicated value of the pressure sensor can be made within the range of $\pm 5\%$ of the read value. (The scattering of the indicated value can be eliminated.)



Note) When the display calibration function is used, the set pressure value may change ± 1 digit.

D Peak and bottom display function

This function constantly detects and updates the maximum (minimum) value and allows to hold the maximum (minimum) pressure value. When the **▲** **▼** buttons are simultaneously pressed for 1 second or longer, while "holding", the hold value will be reset.

E Key lock function

This function prevents incorrect operations such as accidentally changing the set-value.

F Zero-clear function

This function clears and resets the zero value on the display of measured pressure.

For the pressure switch with analogue output, the analogue output shifts according to the indication. The indicated value can be adjusted within $\pm 7\%$ F.S. of the pressure when ex-factory. (ZSE40AF (for compound pressure) $\pm 3.5\%$ F.S.)