






Precision Regulator

Series IR1000/2000/3000

	Series	Model	Regulating pressure range	Port size	Page
Basic Type	Series IR1000 	IR1000	0.005 to 0.2 MPa	1/8	553
		IR1010	0.01 to 0.4 MPa		
		IR1020	0.01 to 0.8 MPa		
	Series IR2000 	IR2000	0.005 to 0.2 MPa	1/4	553
		IR2010	0.01 to 0.4 MPa		
		IR2020	0.01 to 0.8 MPa		
	Series IR3000 	IR3000	0.01 to 0.2 MPa	1/4, 3/8, 1/2	553
		IR3010	0.01 to 0.4 MPa		
		IR3020	0.01 to 0.8 MPa		
Air Operated Type	Series IR2000 	IR2120	0.01 to 0.8 MPa	1/4	553
	Series IR3000 	IR3120	0.01 to 0.8 MPa	1/4, 3/8, 1/2	553

ARJ

AR425
to 935

AMR

ARM

ARP

IR

IRV

VEX1□

SRH

SRP

SRF

ARX20

VCHR

ITV

IC

PVQ

VEF
VEP

VER

VEA

VY2

VBA
VBAT

AP100

Series IR1000/2000/3000

Specification Combinations

○: Standard specifications ○: Combination possible ■: Combination not possible



Series IR3000



Series IR2000



Series IR1000

Specifications		Symbol	Applicable model				
			IR1000 IR1010 IR1020	IR2000 IR2010 IR2020	IR2120	IR3000 IR3010 IR3020	IR3120
Standard specifications	Set pressure Max. 0.2 MPa	0	○	○	■	○	■
	Set pressure Max. 0.4 MPa	1	○	○	■	○	■
	Set pressure Max. 0.8 MPa	2	○	○	○	○	○
	Connection Rc 1/8	01	○	■	■	■	■
	Connection Rc 1/4	02	■	○	○	○	○
	Connection Rc 3/8	03	■	■	■	○	○
	Connection Rc 1/2	04	■	■	■	○	○
Accessory	Bracket	B	○	○	○	○	○
	Pressure gauge	G	○	○	○	○	○
Option	Pressure gauge reverse mounted	R	○	○	○	○	○
	Connection NPT 1/8	N01	○	■	■	■	■
	Connection NPT 1/4	N02	■	○	○	○	○
	Connection NPT 3/8	N03	■	■	■	○	○
	Connection NPT 1/2	N04	■	■	■	○	○
	Connection G 1/8	F01	○	■	■	■	■
	Connection G 1/4	F02	■	○	○	○	○
	Connection G 3/8	F03	■	■	■	○	○
Connection G 1/2	F04	■	■	■	○	○	

Modular and Accessory Combinations

Description	Applicable model		
	IR10□0-□□-X120	IR20□0-□□-X120	IR30□0-□□-X120
1. Air filter	AF20	AF30	AF40
2. Mist separator	AFM20	AFM30	AFM40
3. Interface	Y200	Y300	Y400
4. Interface with bracket	Y200T	Y300T	Y400T

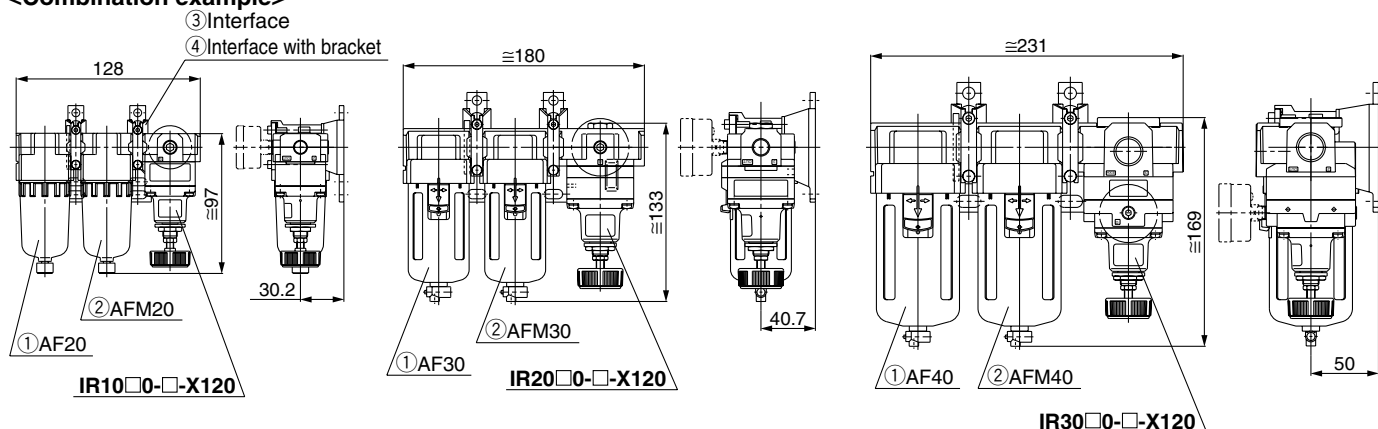
Note 1) Use the made-to-order product (IR□□-X120) for modular connections.

The interface and interface with bracket listed above cannot be connected to the standard type.

Use a conventional connection interface when connecting the standard type with modular connections.

Note 2) The made-to-order product number (IR□□-X120) is for the precision regulator only. For modular connections, please order the applicable products and accessories separately.

<Combination example>



Accessory (Option)/Part No.

Description	Part no.								
	IR1000	IR1010	IR1020	IR2000	IR2010	IR2020/2120	IR3000	IR3010	IR3020/3120
Bracket	P36201023			P36202028			P362030-20*1		
Pressure gauge*2	G33-2-01	G33-4-01	G33-10-01	G43-2-01	G43-4-01	G43-10-01	G43-2-01	G43-4-01	G43-10-01

*1 A bracket and two mounting screws (M5 x 35)

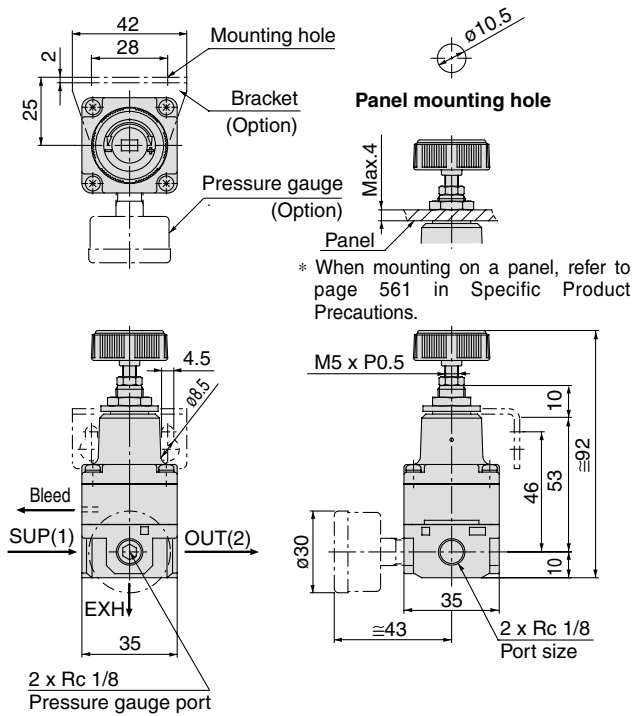
To mount the bracket, remove two body screws (M5 x 30) on the name plate on the opposite side and replace the attached two bracket mounting screws (M5 x 35).

*2 Accuracy ±3% (Full span)

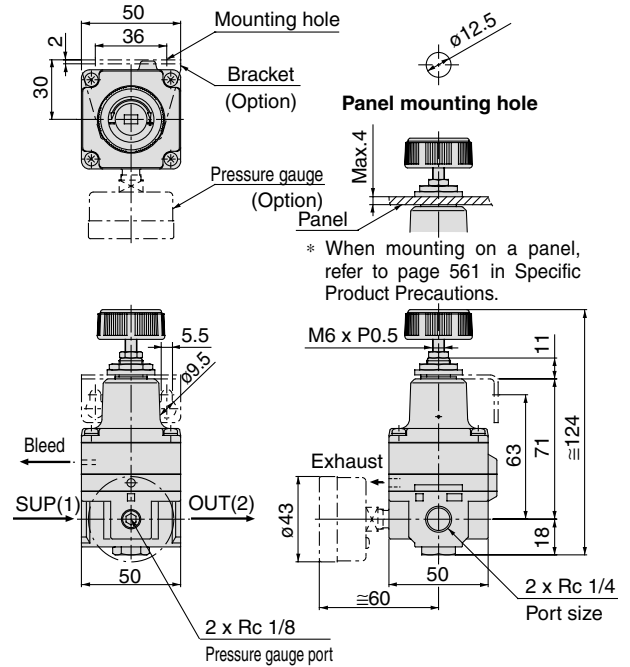
Series IR1000/2000/3000

Dimensions

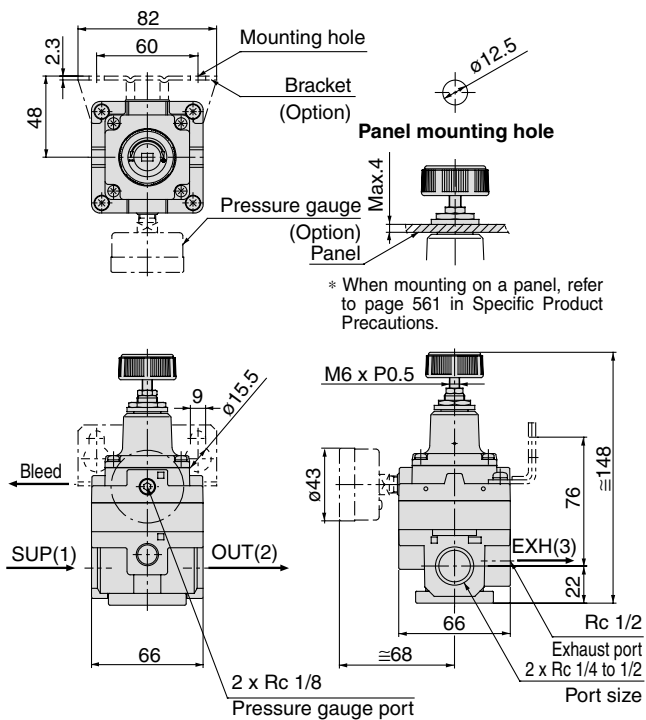
IR10□0-01□



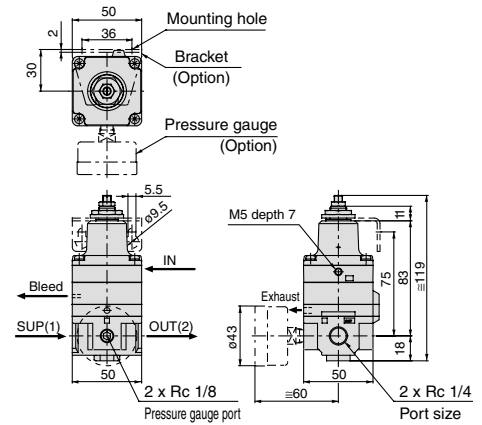
IR20□0-02□



IR30□0-0□□



IR2120-02□



IR3120-0□□

