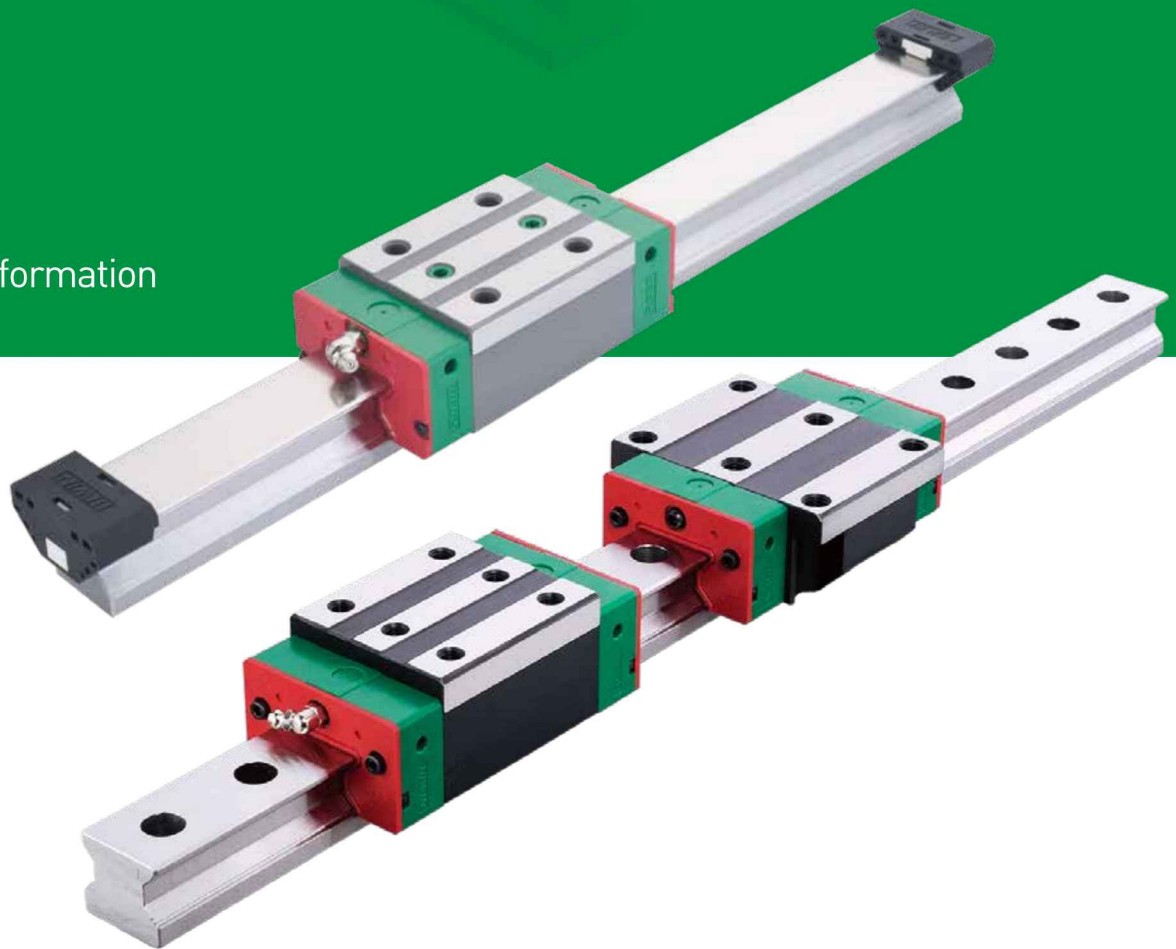


# Linear Guideway

Technical Information

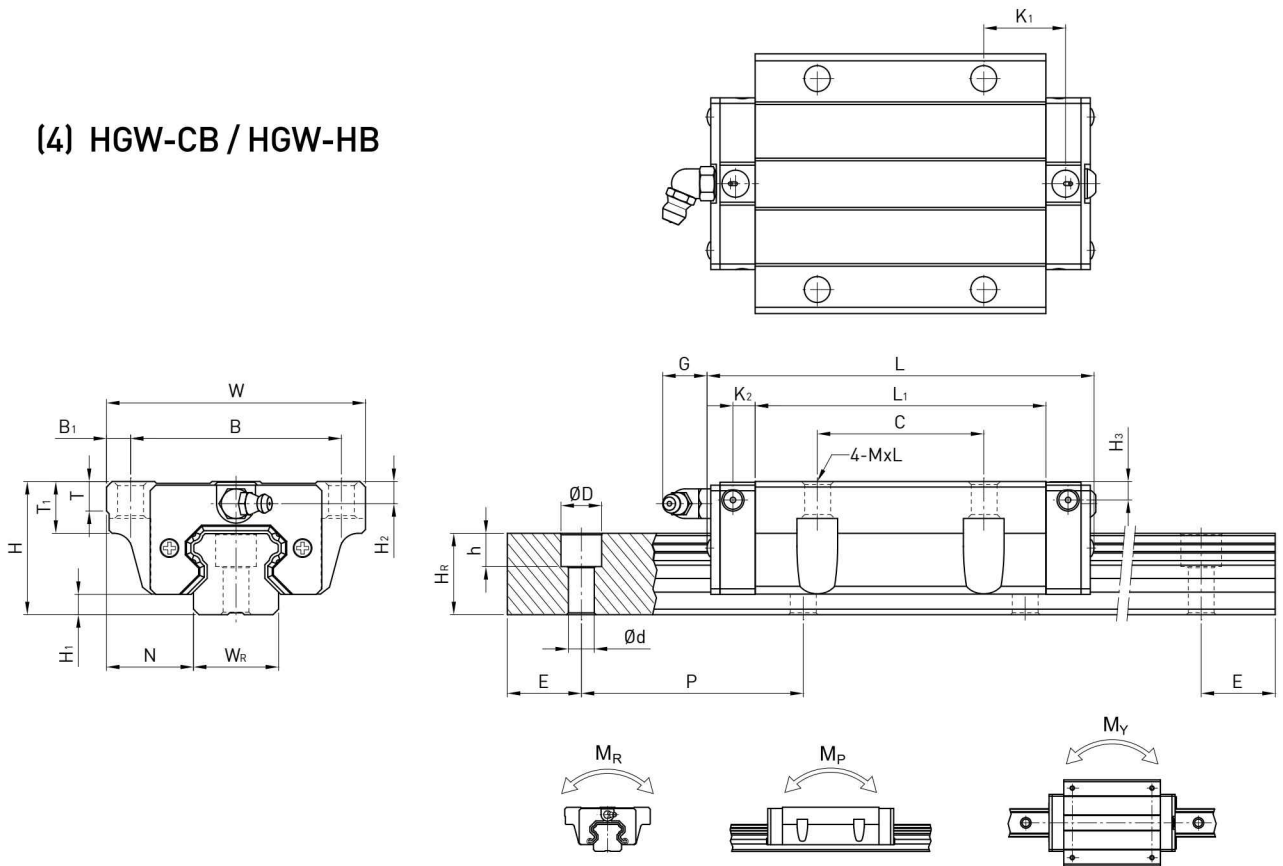


HIWIN Support



About HIWIN

(4) HGW-CB / HGW-HB



| Model No. | Dimensions of Assembly (mm) |                | Dimensions of Block (mm) |     |     |                |     |                |       |                |                |      |      |      |                |                | Dimensions of Rail (mm) |                |                |                | Mounting Bolt for Rail (mm) | Basic Dynamic Load Rating C(kN) | Basic Static Load Rating C <sub>0</sub> (kN) | Static Rated Moment |      |        | Weight |        |                |                |                |       |       |
|-----------|-----------------------------|----------------|--------------------------|-----|-----|----------------|-----|----------------|-------|----------------|----------------|------|------|------|----------------|----------------|-------------------------|----------------|----------------|----------------|-----------------------------|---------------------------------|--|---------------------|------|--------|--------|--------|----------------|----------------|----------------|-------|-------|
|           | H                           | H <sub>1</sub> | N                        | W   | B   | B <sub>1</sub> | C   | L <sub>1</sub> | L     | K <sub>1</sub> | K <sub>2</sub> | G    | M    | T    | T <sub>1</sub> | T <sub>2</sub> | H <sub>2</sub>          | H <sub>3</sub> | W <sub>R</sub> | H <sub>R</sub> |                             |                                 |  | D                   | h    | d      | P      | E      | M <sub>R</sub> | M <sub>P</sub> | M <sub>Y</sub> | Block | Rail  |
|           | kg                          | kg             | kg                       | kg  | kg  | kg             | kg  | kg             | kg    | kg             | kg             | kg   | kg   | kg   | kg             | kg             | kg                      | kg             | kg             | kg             |                             |                                 |  | kg                  | kg   | kg     | kg     | kg     | kg             | kg             | kg             | kg    | kg    |
| HGW15CB   | 24                          | 4.3            | 16                       | 47  | 38  | 4.5            | 30  | 39.4           | 61.4  | 8              | 4.85           | 5.3  | Ø4.5 | 6    | 8.9            | 6.95           | 3.95                    | 3.7            | 15             | 15             | 7.5                         | 5.3                             | 4.5  | 60                  | 20   | M4x16  | 14.7   | 23.47  | 0.12           | 0.10           | 0.10           | 0.17  | 1.45  |
| HGW20CB   | 30                          | 4.6            | 21.5                     | 63  | 53  | 5              | 40  | 50.5           | 77.5  | 10.25          | 6              | 12   | Ø6   | 8    | 10             | 9.5            | 6                       | 6              | 20             | 17.5           | 9.5                         | 8.5                             | 6  | 60                  | 20   | M5x16  | 27.1   | 36.68  | 0.27           | 0.20           | 0.20           | 0.40  | 2.21  |
| HGW20HB   |                             |                |                          |     |     |                |     | 65.2           | 92.2  | 17.6           |                |      |      |      |                |                |                         |                |                |                |                             |                                 |  |                     |      |        | 32.7   | 47.96  | 0.35           | 0.35           | 0.35           | 0.52  |       |
| HGW25CB   | 36                          | 5.5            | 23.5                     | 70  | 57  | 6.5            | 45  | 58             | 84    | 10.7           | 6              | 12   | Ø7   | 8    | 14             | 10             | 6                       | 5              | 23             | 22             | 11                          | 9                               | 7  | 60                  | 20   | M6x20  | 34.9   | 52.82  | 0.42           | 0.33           | 0.33           | 0.59  | 3.21  |
| HGW25HB   |                             |                |                          |     |     |                |     | 78.6           | 104.6 | 21             |                |      |      |      |                |                |                         |                |                |                |                             |                                 |  |                     |      |        | 42.2   | 69.07  | 0.56           | 0.57           | 0.57           | 0.80  |       |
| HGW30CB   | 42                          | 6              | 31                       | 90  | 72  | 9              | 52  | 70             | 97.4  | 14.25          | 6              | 12   | Ø9   | 8.5  | 16             | 10             | 6.5                     | 10.8           | 28             | 26             | 14                          | 12                              | 9  | 80                  | 20   | M8x25  | 48.5   | 71.87  | 0.66           | 0.53           | 0.53           | 1.09  | 4.47  |
| HGW30HB   |                             |                |                          |     |     |                |     | 93             | 120.4 | 25.75          |                |      |      |      |                |                |                         |                |                |                |                             |                                 |  |                     |      |        | 58.6   | 93.99  | 0.88           | 0.92           | 0.92           | 1.44  |       |
| HGW35CB   | 48                          | 7.5            | 33                       | 100 | 82  | 9              | 62  | 80             | 112.4 | 14.6           | 7              | 12   | Ø9   | 10.1 | 18             | 13             | 9                       | 12.6           | 34             | 29             | 14                          | 12                              | 9  | 80                  | 20   | M8x25  | 64.6   | 93.88  | 1.16           | 0.81           | 0.81           | 1.56  | 6.30  |
| HGW35HB   |                             |                |                          |     |     |                |     | 105.8          | 138.2 | 27.5           |                |      |      |      |                |                |                         |                |                |                |                             |                                 |  |                     |      |        | 77.9   | 122.77 | 1.54           | 1.40           | 1.40           | 2.06  |       |
| HGW45CB   | 60                          | 9.5            | 37.5                     | 120 | 100 | 10             | 80  | 97             | 139.4 | 13             | 10             | 12.9 | Ø11  | 15.1 | 22             | 15             | 8.5                     | 20.5           | 45             | 38             | 20                          | 17                              | 14   | 105                 | 22.5 | M12x35 | 103.8  | 146.71 | 1.98           | 1.55           | 1.55           | 2.79  | 10.41 |
| HGW45HB   |                             |                |                          |     |     |                |     | 128.8          | 171.2 | 28.9           |                |      |      |      |                |                |                         |                |                |                |                             |                                 |  |                     |      |        | 125.3  | 191.85 | 2.63           | 2.68           | 2.68           | 3.69  |       |
| HGW55CB   | 70                          | 13             | 43.5                     | 140 | 116 | 12             | 95  | 117.7          | 166.7 | 17.35          | 11             | 12.9 | Ø14  | 17.5 | 26.5           | 17             | 12                      | 19             | 53             | 44             | 23                          | 20                              | 16   | 120                 | 30   | M14x45 | 153.2  | 211.23 | 3.69           | 2.64           | 2.64           | 4.52  | 15.08 |
| HGW55HB   |                             |                |                          |     |     |                |     | 155.8          | 204.8 | 36.4           |                |      |      |      |                |                |                         |                |                |                |                             |                                 |  |                     |      |        | 184.9  | 276.23 | 4.88           | 4.57           | 4.57           | 5.96  |       |
| HGW65CB   | 90                          | 15             | 53.5                     | 170 | 142 | 14             | 110 | 144.2          | 200.2 | 23.1           | 14             | 12.9 | Ø16  | 25   | 37.5           | 23             | 15                      | 15             | 63             | 53             | 26                          | 22                              | 18   | 150                 | 35   | M16x50 | 213.2  | 287.48 | 6.65           | 4.27           | 4.27           | 9.17  | 21.18 |
| HGW65HB   |                             |                |                          |     |     |                |     | 203.6          | 259.6 | 52.8           |                |      |      |      |                |                |                         |                |                |                |                             |                                 |  |                     |      |        | 277.8  | 420.17 | 9.38           | 7.38           | 7.38           | 12.89 |       |

Note : 1 kgf = 9.81 N