

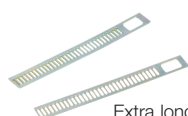
Xpelair GX6, GXC6 & GXC9

Kitchen axial fans



Key features

Type:	Axial extract fan for wall or window mount
Application:	Domestic kitchens & utility rooms
Control options:	Pull cord Timer Humidistat
Legislation:	Conforms to Building Regulations
Hole diameter:	203mm (GX6/C6 wall) 184mm (GX6/C6 window) 266mm (GXC9 wall) 257mm (GXC9 window)



Extra long ladder strips

The Range

For over forty years the Xpelair **GX** series has remained the specifiers' classic solution to domestic ventilation applications. Today's 5th generation of **GX** units remains in tune with the times. They retain their hallmark rugged reliability and styling, and the range has been expanded to include innovations for a range of specialist tasks. Now supplied with longer ladder strips.

Xpelair **GX** models are purpose designed for use in domestic kitchens, utility rooms, large bathrooms and commercial applications such as small offices. They are highly efficient axial fans suitable for direct ventilation to the outside. Window, wall or panel mounting options are available using the universal mounting kit provided. All have a stylish white housing with integrated safety finger guard and silent shutter operation using an electro-thermal actuator (except **GXC6** where it is pullcord operated).

GXC models have an integral pullcord actuator. A trickle ventilation facility is available for background ventilation when not in use.

Xpelair **GX** and **GXC6** fans conform to Building Regulations mechanical ventilation for kitchens. They are designed for easy cleaning and maintenance, are BEAB approved and are rated as Class 1 earthed appliance.

For larger kitchens, especially in older properties, a larger volume of air flow may be appropriate in order to achieve the recommended air change rates. For these applications the **GXC9** may be more appropriate. Refer to page 68 for more details on larger wall and window models.

Select the right product for your application

		GX6	GX6T	GXC6	GXC9
Reference number		90800AW	90812AW	90850AW	8995AW
Integral electrothermal shutter		■	■	■	■
Integral pullcord shutter				■	■
Integral adjustable run-on timer (2 to 20 mins)			■		
Humidity sensor (50-90% RH)					
Speeds		1	1	1	1
Extract performance (FID, m ³ /h)	high low	266 266	266 266	266 266	549 549
Extract performance (FID, l/s)	high low	74 74	74 74	74 74	153 153
Sound pressure level (dB(A)@3m)	high low	37 37	37 37	37 37	44 44
Electrical power rating (W)		30	30	30	32
Hole diameter (mm)		184	184	184	257
Hole diameter with wall liner (mm)		203	203	203	266*
Weight (kg)		1.9	1.9	1.9	3.9

Models

GX6

Ref. 90800AW

- Single speed extract fan
- Operated by remote switch (not supplied)

GX6T

Ref. 90812AW

- Single speed extract fan
- Integral run on timer (adjustable from 2-20mins) operated by lighting circuit

GXC6

Ref. 90850AW

- Single speed extract fan
- Integral pullcord switches fan On and opens shutter

GXC9 features over the GX6

Ref. 89995AW

- Nine inch high performance extract axial flow ventilation unit
- As GX6 with integral pullcord
- Integral pullcord turns fan On and operates shutter

Controllers

Remote Humidistat XRH

Ref. 21856AW

- Stand alone humidistat switches fan On/Off when RH reaches pre-set levels
- Complete with pullcord override switch
- Suitable for use with GX6

Remote Time Controller DT20B

Ref. 21850AW

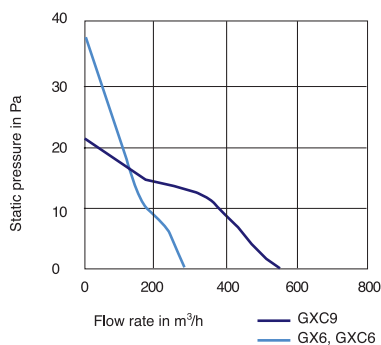
- Provides continued ventilation run-on period after light has been switched Off
- User adjustable run on timer (2-20 mins)

Passive Infrared Sensor XPIRA

Ref. 21871AA

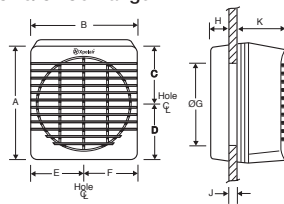
- Activates fan via body movement. Ideal for infrequently used public spaces.
- Built in timer to prevent nuisance tripping
- Suitable for use with GX6

Performance

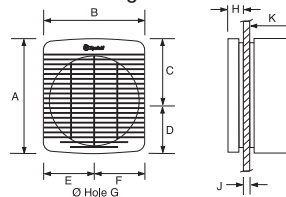


Dimensions

GX6/GXC6 Range



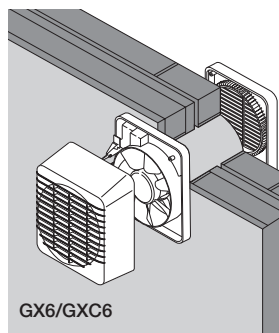
GXC9 Range



Dimensions (mm)

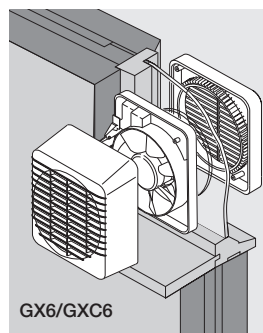
Model	A	B	C	D	E	F	ØG	H	J	K
GX6, GXC6	226	210	119	107	109	101	184/203	32	4-25	112
GXC9	312	294	165	147	147	147	257/266	32	4-25	117

Installation and Accessories



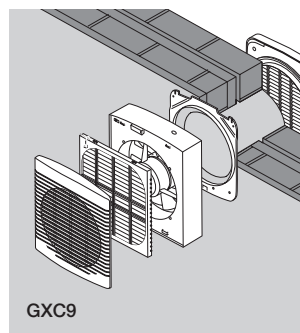
Wall Mounting

Hole diameter: 203mm



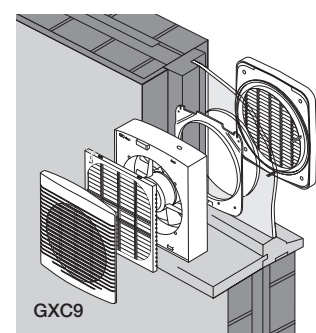
Window Mounting

Hole diameter: 184mm



Wall Mounting

Hole diameter: 266mm



Window Mounting

Hole diameter: 257mm