



CX



EX



14CE100



GXE GXA

UL, CSA, [ATEX (CE), IEC Ex, IN METRO (select models)]	UL, CSA, ATEX (CE), IEC Ex	Agency Approvals	ATEX (CE)	ATEX (CE), IEC Ex
NEMA 7 (Gas): Class I, Div.1 & Div. 2, Groups B (14CX, 16CX, 24CX, 26CX, 36CX only), C, and D; NEMA 9 (Dust): Class II, Div.1 & Div. 2, Groups E, F, and G ATEX/IEC Ex, INMETRO (Gas) II 2 G; Exd IIC T6 ATEX/IEC Ex, INMETRO (Dust) II 2 D; Exd tD A21 T85°C	NEMA 7 (Gas): Div. 1 & 2, Class I, Groups B, C, & D (select models) NEMA 9 (Dust): Div. 1 & 2, Class II, Groups E, F, & G II 2 G; EEx d IIB + H2 T6	Hazardous Designations	II 2 G; Ex d IIC T6 II 2 D; Ex tD A21 T85°C	II 2 G; EEx d IIC T6 II 2 D; Ex tD A21 T85°C
NEMA 1, 3, 4, 4X, 6, 6P, and 13; IP66	NEMA 1	Sealing	IP65, (IP66/IP67 boot sealed plungers)	IP66/67
aluminum epoxy coated, bronze	aluminum, epoxy coated	Housing Material	zinc, epoxy coated	zinc, epoxy coated
side rotary (choice of levers), side rotary (with flat shaft), plunger actuator	side rotary, top pin plunger, top roller plunger, manual	Actuators/Levers	top pin plunger, top roller plunger, cross-roller plunger	side rotary, top pin plunger, top roller plunger
3/4 - 14 NPT, M25 x 1.5 mm conduit	1/2 in - 14NPT conduit, lead wires	Termination	cable (various lengths)	5 m cable
1NC 1NO SPDT, 2NC 2NO DPDT, 6NC 6NO, 4 mA to 20 mA analog output, 4NC 4NO	1NC 1NO SPDT snap action, 1NC 1NO SPDT maintained, 2NC 2NO DPDT snap action	Circuitry	1NC 1NO SPDT snap action	1NC 1NO SPDT snap action
-25°C to 85°C [-13°F to 185°F] -40°C [-40°F] optional	-40°C to 71°C [-40°F to 160°F]	Operating Temp.	0°C to 70°C [32°F to 158°F]	-20°C to 75°C [-4°F to 167°F]
1 A, 10 A, 15 A, 20 A	1 A, 3 A, 10 A, 15 A, 20 A	Amp Rating	1 A (thermal), 5 A (thermal)	5 A (thermal)
120 Vac, 240 Vac, 480 Vac, 28 Vdc, 125 Vdc, 250 Vdc	125 Vac, 250 Vac, 480 Vac, 125 Vdc, 250 Vdc	Voltage	AC14 D300 DC13 R300	AC15, 4 A 250 V DC13, 0.15 A 250 V
external and internal	external and internal	Grounding screw	external and internal (ground wire provided)	none, double insulated



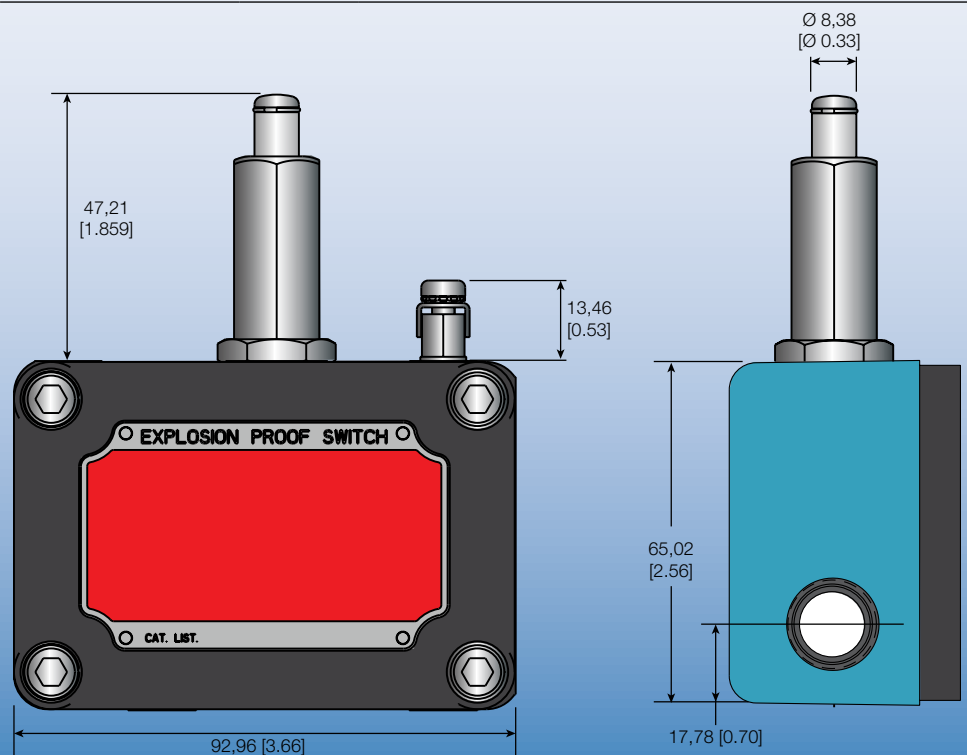
MICRO SWITCH EX Series Listings

Catalog Listing	Actuation Type	Actuation	Contact	Electrical Rating*	Other
EX-AR	Roller Lever	Clockwise	SPDT	A	
EX-AR20	Side Rotary	Clockwise	SPDT	A	No lever furnished
EX-AR230	Side Rotary	Counter Clockwise	SPDT	A	
EXA-AR20	Side Rotary	Clockwise	SPDT	B	
EX-AR30	Roller Lever	Counter Clockwise	SPDT	A	
EX-AR800	Roller Lever	Clockwise	SPDT	A	Class 1 / Group B
EX-AR830	Roller Lever	Counter Clockwise	SPDT	A	Class 1 / Group B
EXHT-AR	Roller Lever	Clockwise	SPDT	C	High temperature 204°C [400°F]
EXA-AR	Roller Lever	Clockwise	SPDT	B	
EXA-AR62	Roller Lever	Clockwise	SPDT	B	No mounting bracket
EX-AR182	Roller Lever	Clockwise	SPDT	A	Nylon roller
EX-AR141	Roller Lever	Clockwise	SPDT	A	No mounting bracket
EX-Q	Top Pin Plunger	-	SPDT	A	
EX-Q62	Top Pin Plunger	-	SPDT	A	No mounting bracket
EXA-Q	Top Pin Plunger	-	SPDT	B	Low operating force
EXHT-Q	Top Pin Plunger	-	SPDT	C	High temperature 204°C [400°F]

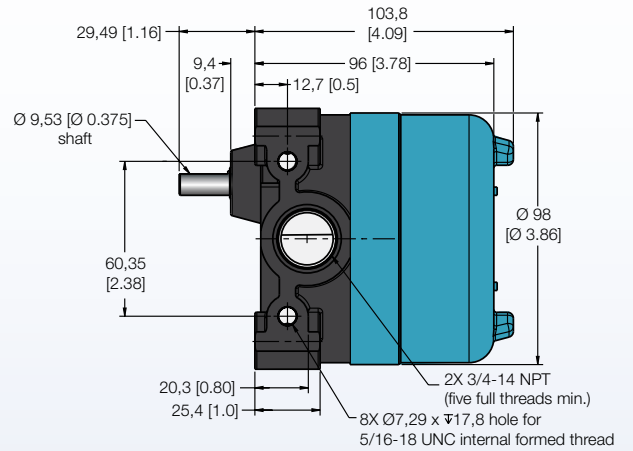
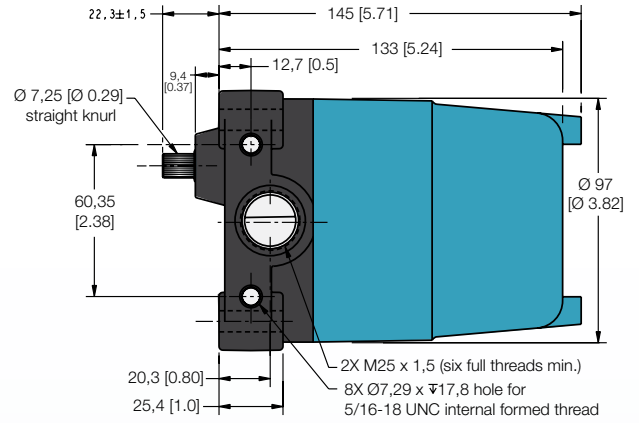
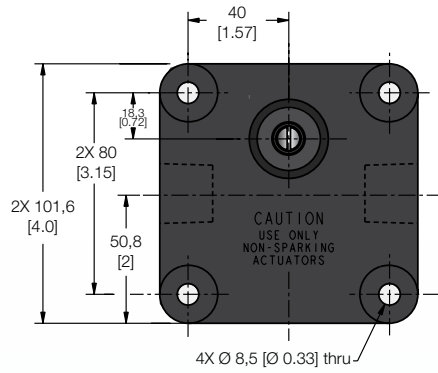
*Electrical Ratings

A	UL/CSA Rating: 15 A, 125 Vac, 250 Vac or 480 Vac; 1/8 HP, 125 Vac; 1/4 HP, 250 Vac; 1/2 amp, 125 Vdc; 1/4 amp, 250 Vdc
B	UL/CSA Rating: 20 A, 125 Vac, 250 Vac or 480 Vac; 10 A, 125 Vac "L"; 1 HP, 125 Vac; 2 HP, 250 Vac; 1/2 amp, 125 Vdc; 1/4 amp, 250 Vdc
C	UL/CSA Rating: 3 A, 125 Vac or 250 Vac; 1/10 HP, 125 Vac; 1/6 HP 250 Vac

Additional options and configurations of this product are available. Please contact Honeywell for more information.



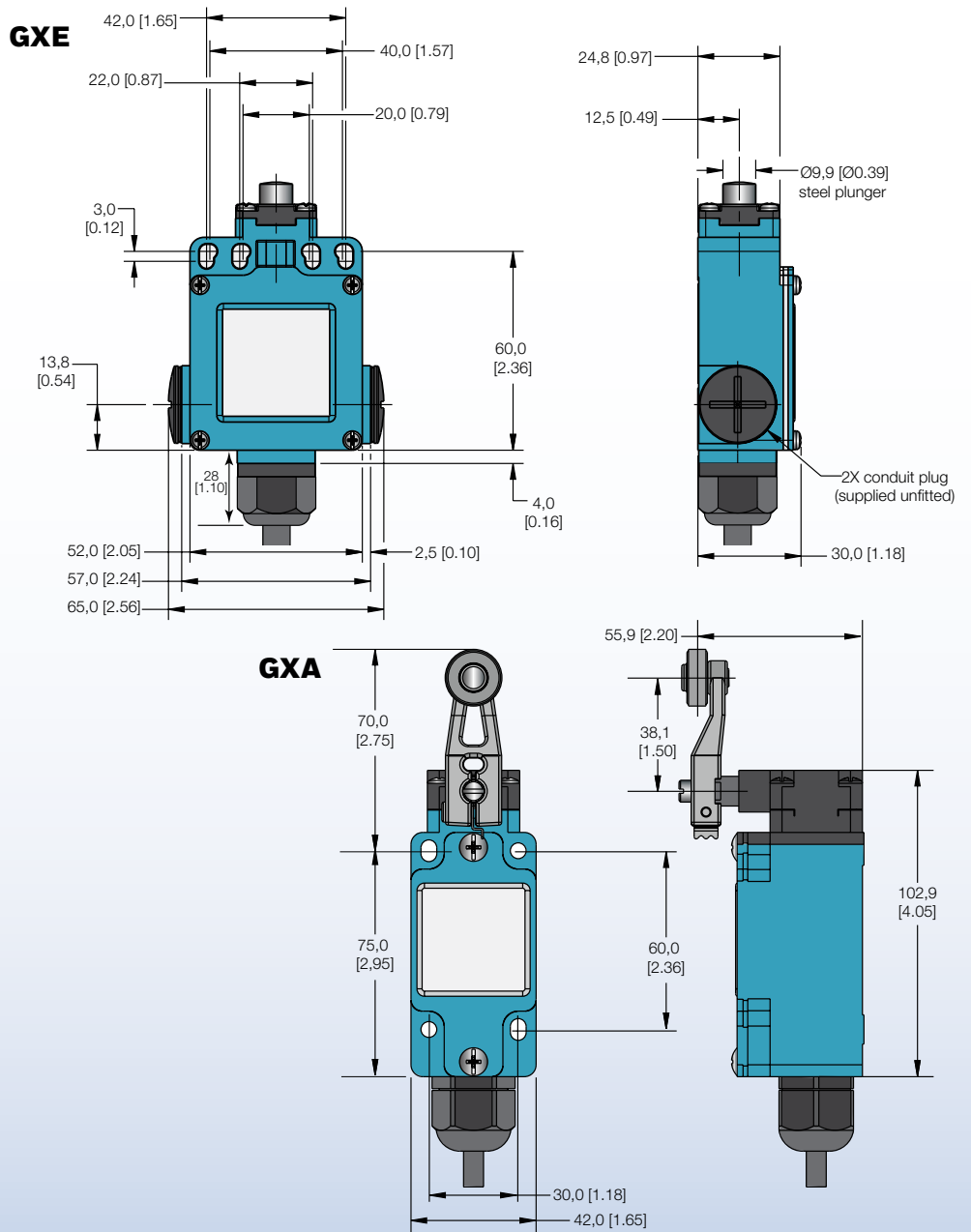
MICRO SWITCH Hazardous Area Switches | CX Series



Switch Type	1	1	CX	2	
	Housing Style & Actuator Type	Circuitry	Switch Type	Switches	Additional Options
CX Series Hazardous Area Limit Switch	1 Short housing, side rotary	1 15 A, SPDT basic switch/es	CX Momentary	0 4 mA to 20 mA	Non-threaded thru holes
	2 Standard housing, side rotary	2 20 A, SPDT basic switch/es	CX1 Maintained	1 One switch	A Side mounting, 5/16-18(8)
	3 Short housing, plunger actuator	4 10 A, DPDT basic switch/es		2 Two switches	B Thru mounting, 3/8-24(4)
	4 Standard housing, plunger actuator	6 1 A, SPDT, hermetically sealed basic switch/es		3 Three switches	C Low temperature
	6 Short housing, black epoxy	8 4 mA to 20 mA output for position sensing		4 Four switches	E ATEX/IEC Ex/INMETRO certified with cover clamp
	7 Stand. housing, bronze material, 5/16-18 UNC-2B mtg holes	172 1 A, SPDT, gold-plated contacts, basic switch/es		5 Two switches, one CW oper., one CCW oper.	M Metric, M25 x 1.5 conduit
	8 Standard housing, bronze material				D01 Flat shaft
	9 Switch assemblies (replacement)				00 Or other numbers, various specials

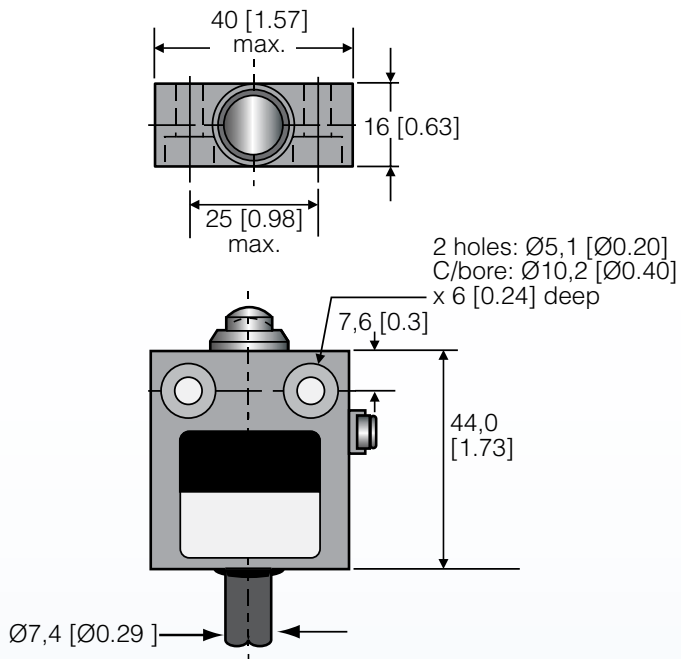
Other special configurations may be available. For more information, contact your Honeywell representative.

MICRO SWITCH Hazardous Area Switches | GXA/GXE Series



	GXE	#	1	A	A	3
	Switch Type	Cable Length	Circuitry	Actuator Type	Side Lever Roller Material	Head Orientation
GXA Series Hazardous Area Limit Switch		5 5 meter cable	1 Silver contacts, snap action	A Side rotary	A Plastic	Lever to front or plunger parallel to mtg surface
GXE Series Hazardous Area Limit Switch			2 Gold contacts, snap action	B Pin plunger	B Steel	3 Lever to right
				C Roller plunger		4 Lever to left
				D Roller arm		5 Lever to rear
						6 Roller plunger perpendicular to mtg surface

MICRO SWITCH Hazardous Area Switches | 14CE100 Series



Switch Type
14CE Series
Hazardous
Area
Limit Switch

101

Actuator

1

Cable length

Switch Type	Actuator	Cable length
101 Top plunger	101 Top plunger	1 1 meter
102 Top roller plunger	102 Top roller plunger	2 2 meters
103 Cross roller plunger	103 Cross roller plunger	3 3 meters
118 Booted top plunger	118 Booted top plunger	4 4 meters
		5 5 meters
		6 6 meters
		8 8 meters
		10 10 meters
		12 12 meters
		15 15 meters

