



GT-71AP

Amplifier Unit, DIN Rail Type, PNP



Specifications

Model	GT-71AP	
Type	Amplifier unit	
Mounting method	DIN rail mount*1	
Output	PNP output	
Main unit/expansion unit	Main unit*2	
Power consumption	Normal	At 12 V: 1,140 mW (95 mA) or less, At 24 V: 1,200 mW (50 mA) or less
	Power saving (Eco)	At 12 V: 600 mW (50 mA) or less, At 24 V: 840 mW (35 mA) or less
Display power	Measured value display	6-digit 7-segment LED (red)
	Other displays	2-color 13-level bar LED display (red, green), indicators (red, green)
Display range	-99.999 to 999.999	
Display resolution	1 μ m 0.000039"	
Sampling rate	2,000 times/second	
Control input	Timing/preset/bank input	Timing input: Non-voltage input (relay contact, solid state), input time: 2 ms or more
		Preset/Bank input: Non-voltage input (relay contact, solid state), input time: 20 ms or more
Response time	hsp (1.5 ms) , 5 ms, 10 ms, 100 ms, 500 ms, 1 s, 5 s	
HIGH, GO, LOW output	PNP open collector, 50 mA max. (30 V or less), residual voltage: 1 V or less, N.O./N.C. switchable	
Major functions	Preset, Hold, Variable hysteresis, Variable response time, Multiplier setting, Bank function (4 banks), Self-timing, Power save (eco) mode, Application mode, Calibration function, Core alarm	
Rating	Power voltage	12 to 24 VDC, Ripple (P-P) 10 % or less*3
Environmental resistance	Ambient temperature	-10 to +55 °C 14 to 131 °F (No freezing)
	Relative humidity	35 to 85 % RH (No condensation)
	Vibration resistance	10 to 55 Hz, Double amplitude 1.5 mm 0.06", 2 hours in each of the X, Y, and Z directions
Material	Main body case: Polycarbonate, Key top: Polyacetal, Front sheet: Polycarbonate, Cable: PVC	
Accessories	Instruction manual	
Weight	Approx. 110 g (including the power cable)	

*1 Be sure to mount the DIN rail mounting amplifier on a DIN rail (i.e. the unit should be mounted on the metal DIN plate itself). For additional amplifier unit installation, be sure to use the end unit (OP-26751).

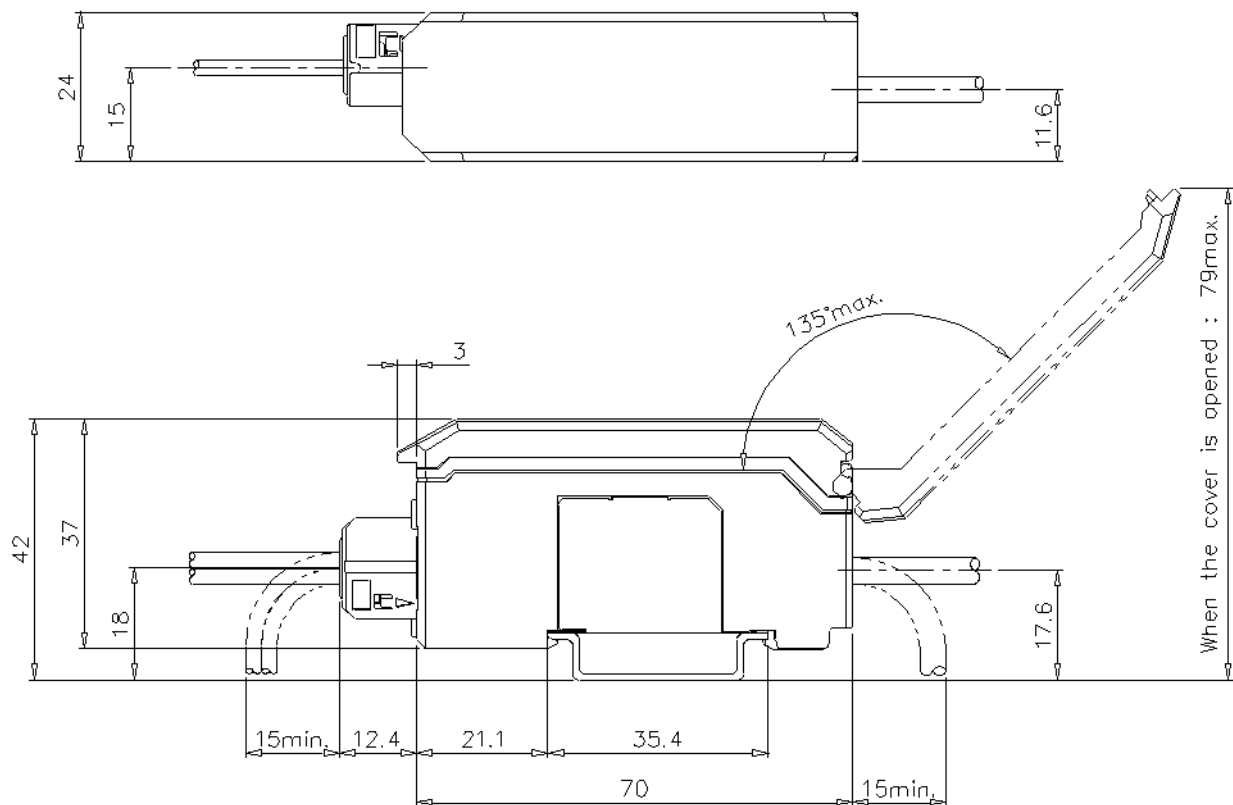
*2 One main unit and nine expansion units (ten in total) can be additionally installed. For additional amplifier unit installation, each output current must be 20 mA or less.

*3 If additional amplifier units are installed, the power supply voltage is 24 VDC.

Dimensions

* Download CAD file or product manual for larger image/text and more detail.

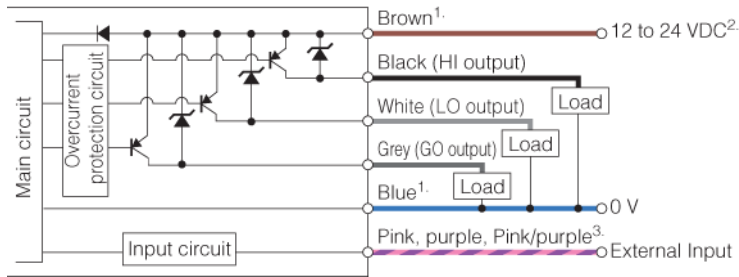
GT-71/71P



I/O Circuit Connection diagram

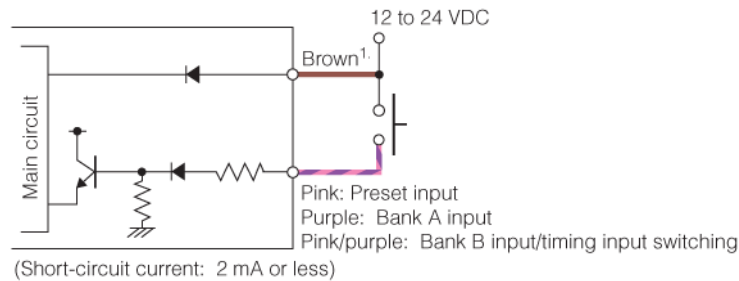
* Download CAD file or product manual for larger image/text and more detail.

PNP GT-71AP/72AP/75AP/76AP



1. Brown and blue are applicable only to main units (GT-71A/71AP/75A/75AP), not to expansion units (GT-72A/72AP/76A/76AP). The power lines for sub units are internally connected to the main unit.
2. At expansion, 12 VDC changes to 24 VDC.
3. For details on external input, see the External Input Circuit Diagram.

External Input circuit



1. Brown and blue are applicable only to main units (GT-71A/71AP/75A/75AP), not to expansion units (GT-72A/72AP/76A/76AP). The power lines for sub units are internally connected to the main unit.
2. At expansion, 12 VDC changes to 24 VDC.
3. For details on external input, see the External Input Circuit Diagram.