



GMS800

EXTRACTIVE GAS ANALYZERS

SICK
Sensor Intelligence.



**THORNE &
DERRICK**
INTERNATIONAL

Thorne & Derrick
+44 (0) 191 410 4292
www.heatingandprocess.com



Ordering information

Type	Part no.
GMS800	On request

Other models and accessories → www.sick.com/GMS800



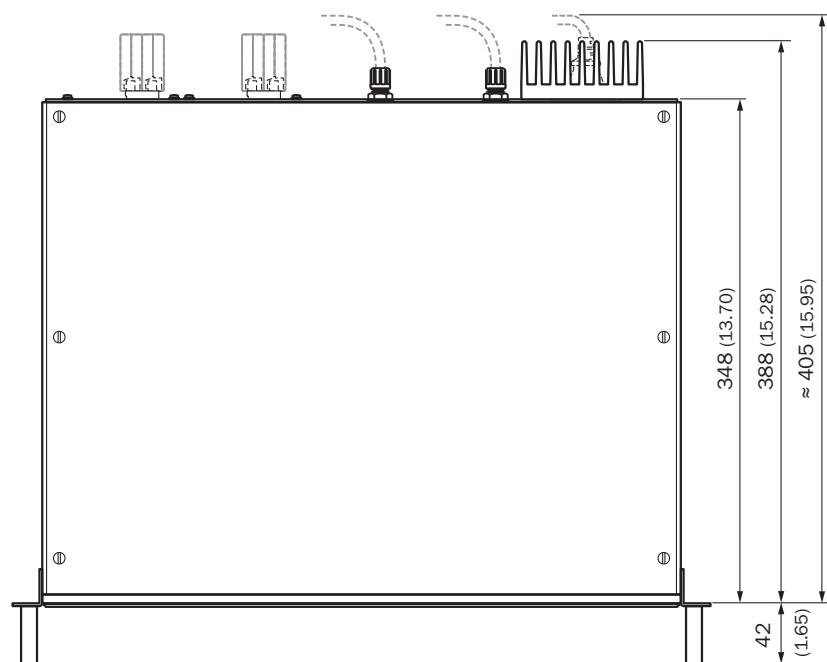
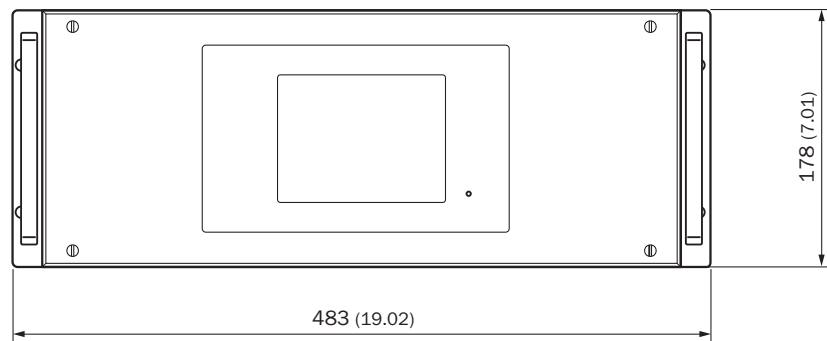
Detailed technical data

Classifications

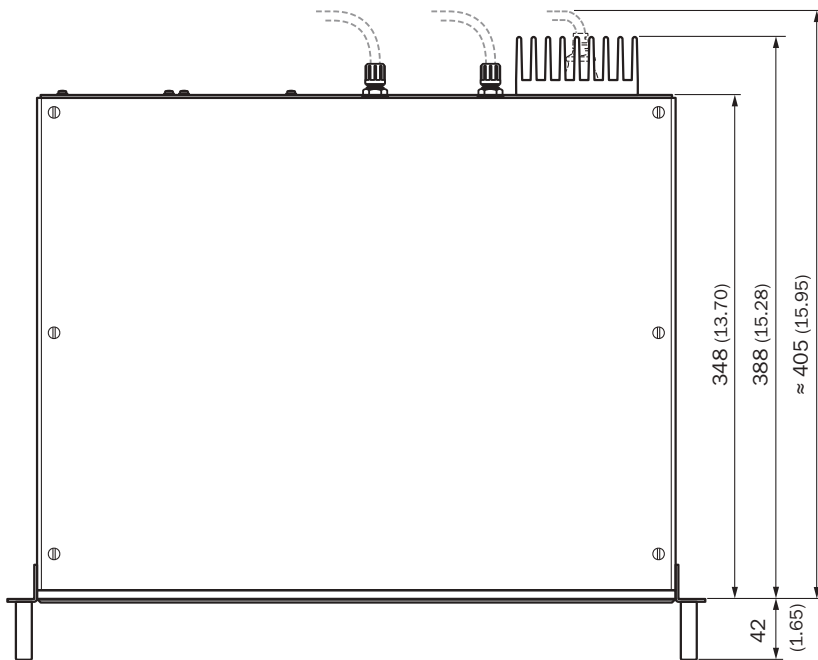
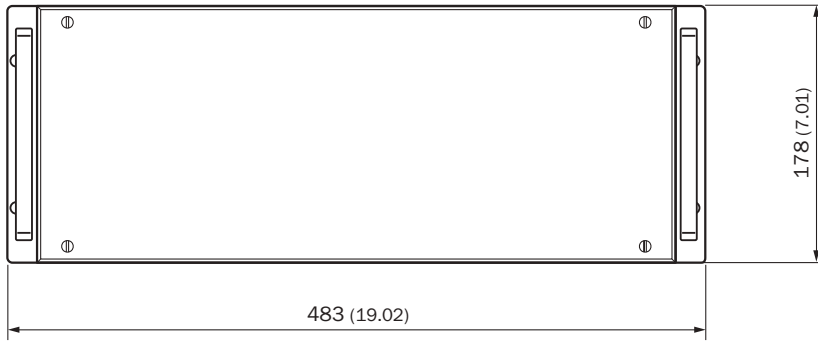
ECl@ss 5.0	27150302
ECl@ss 5.1.4	27150302
ECl@ss 6.0	27150302
ECl@ss 6.2	27150302
ECl@ss 7.0	27150302
ECl@ss 8.0	27150302
ECl@ss 8.1	27150302
ECl@ss 9.0	27150302
ECl@ss 10.0	27150302
ECl@ss 11.0	27150302
ETIM 5.0	EC001190
ETIM 6.0	EC001190
ETIM 7.0	EC001190
UNSPSC 16.0901	41115406

Dimensional drawing (Dimensions in mm (inch))

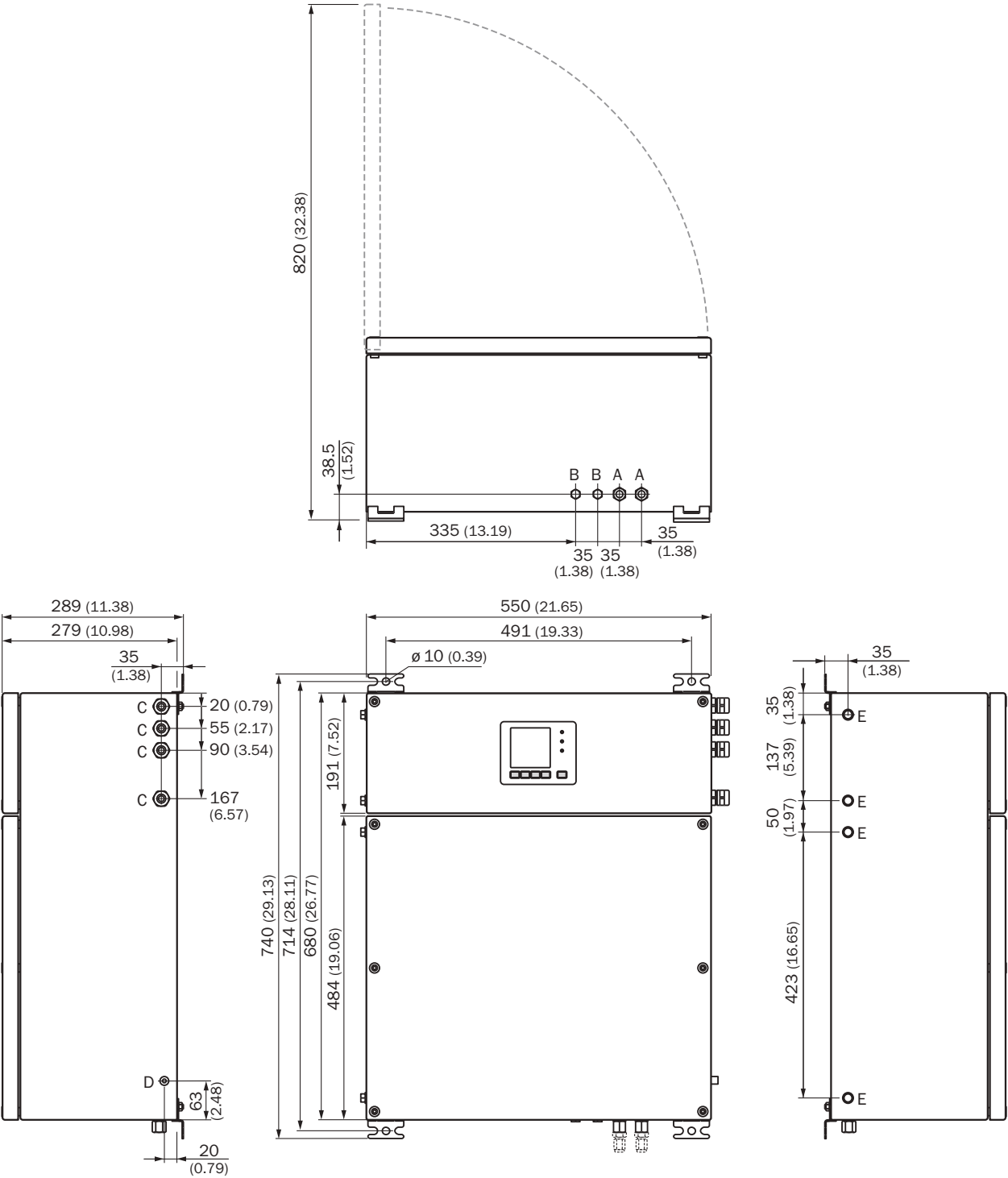
GMS810 design



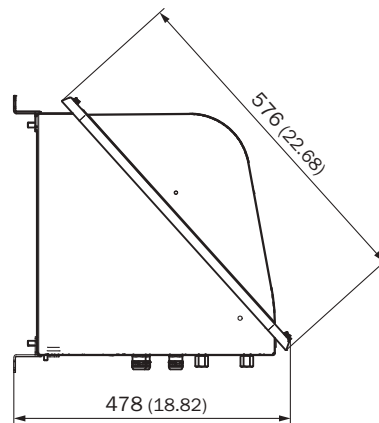
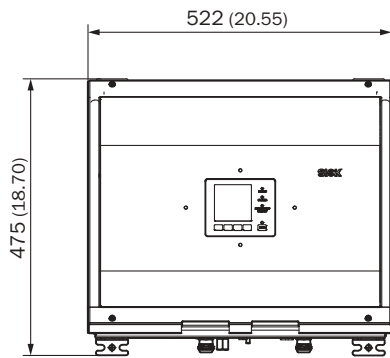
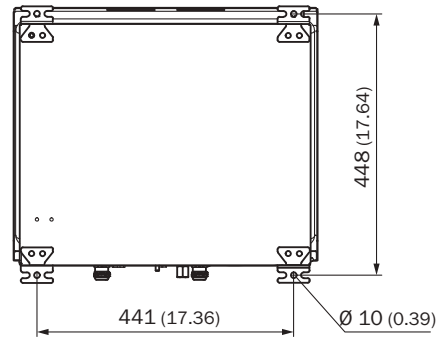
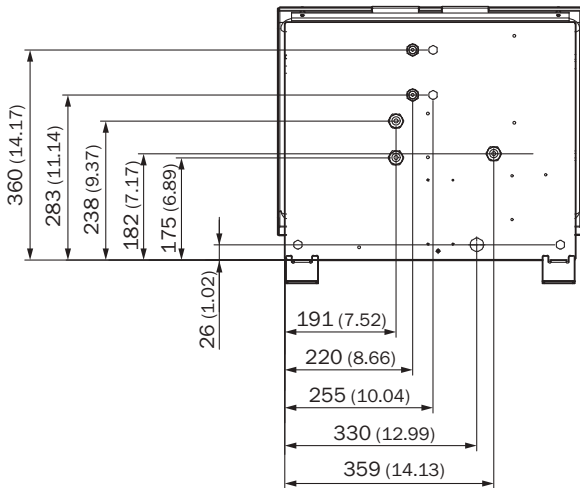
GMS811 design



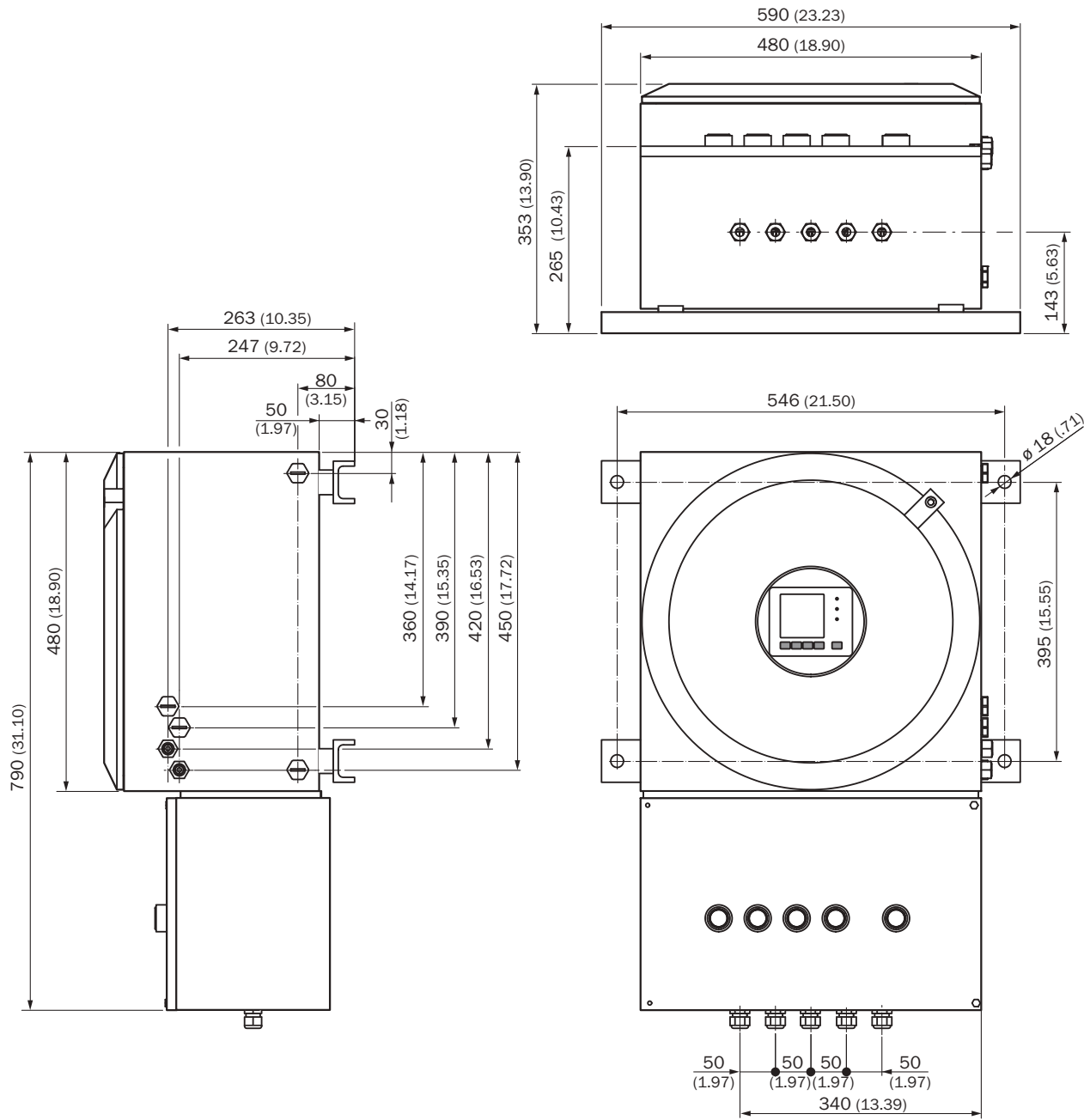
GMS815P design



GMS840 design

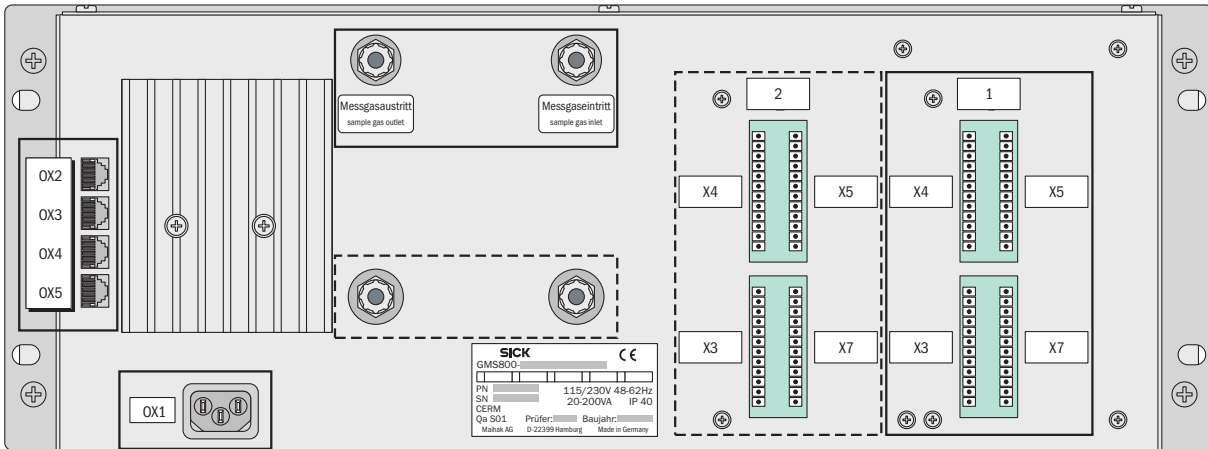


GMS820P design

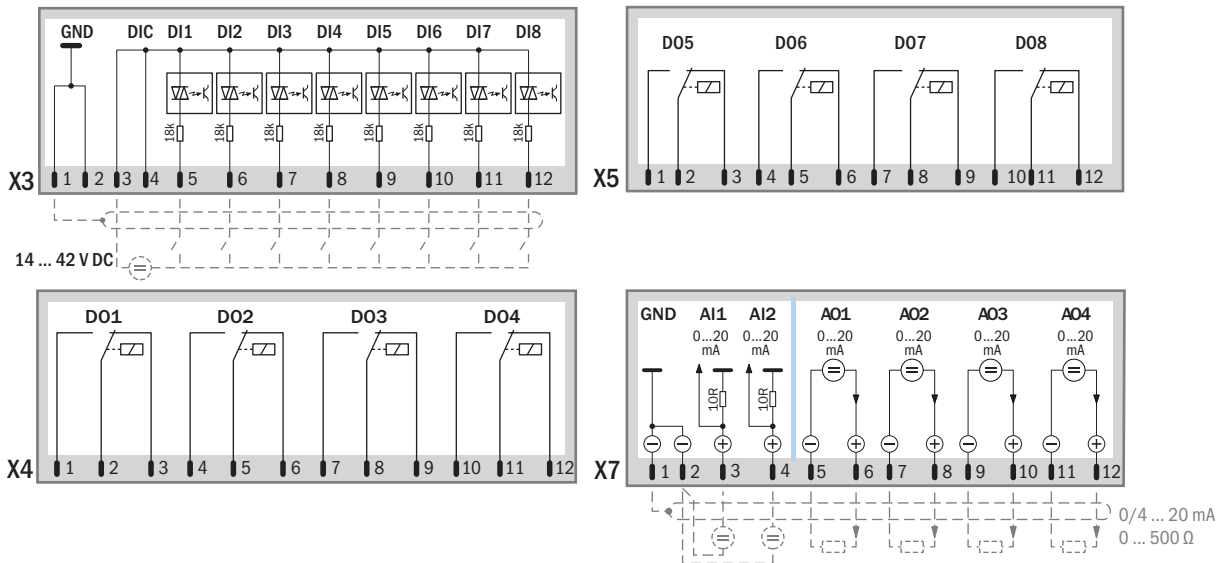


Connection types

GMS810 design



GMS800 I/O module



SICK AT A GLANCE

SICK is one of the leading manufacturers of intelligent sensors and sensor solutions for industrial applications. A unique range of products and services creates the perfect basis for controlling processes securely and efficiently, protecting individuals from accidents and preventing damage to the environment.

We have extensive experience in a wide range of industries and understand their processes and requirements. With intelligent sensors, we can deliver exactly what our customers need. In application centers in Europe, Asia and North America, system solutions are tested and optimized in accordance with customer specifications. All this makes us a reliable supplier and development partner.

Comprehensive services complete our offering: SICK LifeTime Services provide support throughout the machine life cycle and ensure safety and productivity.

For us, that is “Sensor Intelligence.”