

Automation systems

Drive solutions

Controls

Inverters

Motors

Gearboxes

Engineering Tools



Notification of change!

The GKR03 gearbox has been replaced by the new, identically constructed g500-B45 gearbox. Do not order the GKR03 anymore.



<http://www.lenze.com>



Motors: MH three-phase AC motors, MD three-phase AC motors

Gearboxes: GKR bevel gearboxes, GKS helical-bevel gearboxes, GSS helical-worm gearboxes

GKS helical-bevel gearboxes



Technical data

Weights

GKS□□-3M HAR / HBR

		063C11 063C12	063C31	063C32	063C42	071C11 071C13 071C31 071C32 071C33 071C42	080C13 080C32 080C33	090C12	090C32	100C12	100C32
GKS04	m [kg]	16	15	16		18	23	29	31		
GKS05	m [kg]				26	28	33	39	41	47	49
GKS06	m [kg]				40	42	47	53	55	61	64
GKS07	m [kg]						73	79	81	87	89
GKS09	m [kg]							127	129	135	138
GKS11	m [kg]									235	237

		112C22	132C12	132C22	160C22	160C32	180C12	180C32	180C42	225C12	225C22
GKS06	m [kg]	77	99	106							
GKS07	m [kg]	102	125	132	175	190					
GKS09	m [kg]	150	174	181	224	239	290	295			
GKS11	m [kg]	249	272	279	322	337	388	393	413	612	632
GKS14	m [kg]	420	440	447	490	505	556	561	581	779	799

- Weights with oil filling for mounting position A; all values are approximate.
The weights relate to the basic version. Bear in mind that additional weights may be needed, e.g. for motor options.

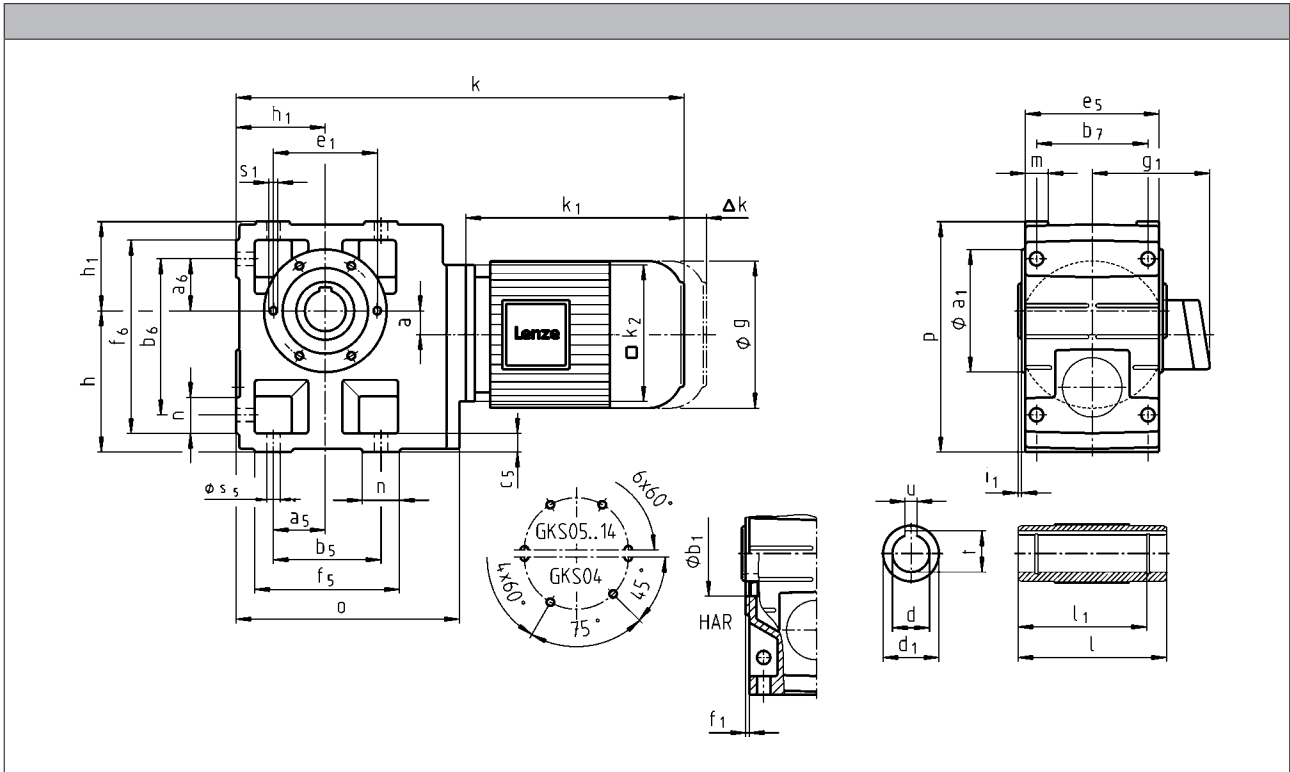
GKS helical-bevel gearboxes

Technical data



Dimensions

GKS□□-3M H□R



		080C32	090C12	090C32	100C12	100C32	112C22
g		156	176			194	218
g ₁	MHEMAXX	150	152	157		166	176
	MHEMABR	132		137		147	158
k ₁	MHEMAXX	224.5		274	309	324	363
k ₂		145			180		222
Δk	MHEMABR	73		68		76	90
	MHFMAXX		128			109	102
	MHFABR	183		181		170	183
k							
	GKS04	441		501			
	GKS05	461		521			
	GKS06	517		577	556	571	
	GKS07	573		633	612	627	672
	GKS09			704	668	683	728
	GKS11				739	754	799
	GKS14				830	845	890
							989

GKS helical-bevel gearboxes



Technical data

		132C12 132C22	160C22	160C32	180C12 180C32	180C42	225C12 225C22
g		258	310		348		447
g ₁	MHEMAXX	195	210		230		346
	MHEMABR	187	210		230		346
k ₁	MHEMAXX	403	457.5	501.5	561	618	848
k ₂		265			300		
Δ k	MHEMABR	109.5	105			113	
	MHFMAXX	115		149		155	213
	MHFMABR	201.5	179		215		213
k							
GKS06		720					
GKS07		776	835	879			
GKS09		847	906	950	1010		
GKS11		938	997	1041	1101	1158	1388
GKS14		1037	1096	1140	1200	1257	1487

	a	h ¹⁾	h ₁	o	p ¹⁾
GKS04	20	100	71	203	171
GKS05	23	125	80	232	205
GKS06	28	150	100	291	250
GKS07	34	190	120	354	310
GKS09	41	236	150	429	386
GKS11	54	300	185	527	485
GKS14	67	375	230	636	605

	d	d ₁	l ¹⁾	l ₁	u	t	i ₁	a ₁	b ₁	e ₁	f ₁	s ₁
	H7				JS9	+0,2			H7			
GKS04	25	45	115	100	8	28.3	2.5	104	75	90	3	M6x12
	30	45	115	100	8	33.3	2.5					
GKS05	30	50	140	124	8	33.3	4	118	80	100	4	M8x15
	35	50	140	124	10	38.3	4					
GKS06	40	65	160	140	12	43.3	5	140	100	120	4	M10x16
	45	65	160	140	14	48.8	5					
GKS07	50	75	200	175	14	53.8	5	165	115	140	5	M12x18
	55	75	200	175	16	59.3	5					
GKS09	60	95	240	210	18	64.4	5	205	145	175	6	M16x24
	70	95	240	210	20	74.9	5					
GKS11	70	108	290	250	20	74.9	6	240	170	205	4	M20x32
	80	108	290	250	22	85.4	6					
GKS14	100	135	350	305	28	106.4	7	290	170	250	6	M24x35

	a ₅	a ₆	b ₅	b ₆	b ₇	c ₅	e ₅	f ₅	f ₆	m	n	s ₅
GKS04	45	45	110	119	85	14	105	132	141	21	22	9
GKS05	47.5	47.5	115	140	105	17	115	144	169	21	29	11
GKS06	60	60	155	170	120	20	145	191	206	23	36	14
GKS07	70	70	190	210	150	25	180	235	255	28	45	18
GKS09	90	90	240	266	185	30	222	300	326	37	60	22
GKS11	105	105	290	325	225	40	270	363	398	43	73	26
GKS14	135	135	360	415	275	50	328	442	497	52	82	33

¹⁾ k₂ !