

OpenAir™

Air damper actuators

GEB..1E



Electronic rotary actuators for 2-position, 3-position, and modulating control

- Nominal torque 20 Nm
- Operating voltage AC 24 V ~ / DC 24...48 V = or AC 100...240 V ~
- Mechanically adjustable span between 0...90°
- Pre-wired with standard 0.9 m connection cables
- Type-specific variations with adjustable offset and span for the positioning signal
- Position indication: Mechanical and electrical
- Feedback potentiometer
- Self-adaption of the rotation angle range and adjustable auxiliary switches for supplemental functions

Standards, directives and approvals	
Product standards	EN60730 Part 2-14: Particular requirements for electric actuators
Electromagnetic compatibility (field of use)	For residential, commercial, and industrial environments
EU conformity (CE)	A5W00051707 ³⁾
RCM conformity	A5W00051708 ³⁾
EAC compliance	Eurasian conformity
UL Federal Communications Commission	UL as per 60730 http://ul.com/databse cUL as per CSA-C22.2 No. 24-93

Environmental compatibility
The product environmental declaration A5W00055607 ³⁾ contains data on environmentally compatible product design and assessments (RoHS compliance, materials composition, packaging, environmental benefit, disposal).

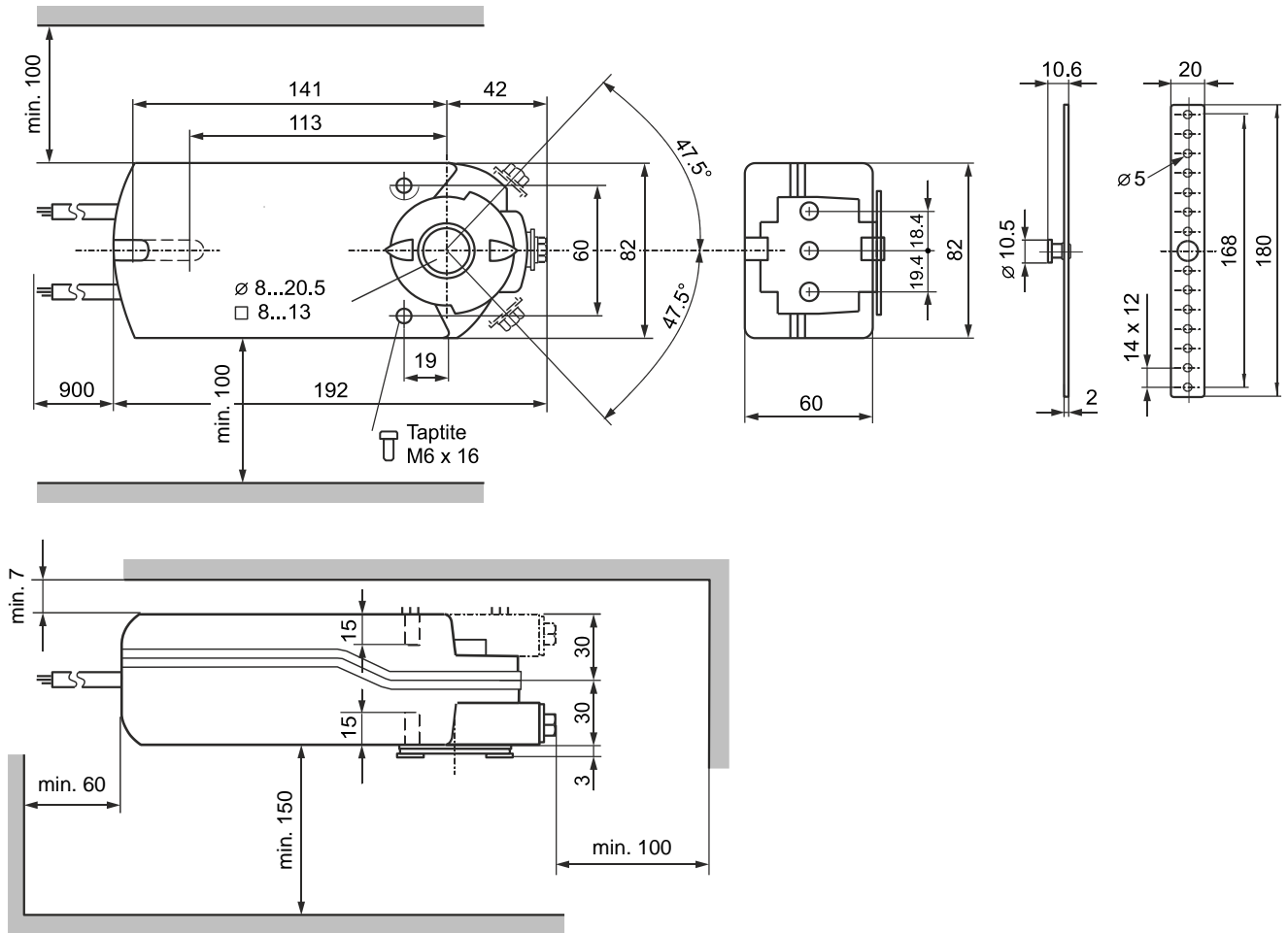
Dimensions	
Actuator (W x H x D)	See "Dimensions" (page 11)
Damper shaft	
Round	8...20.5 mm
Square (diagonal)	8... 14.5 mm
Min. length	20 mm
Max. shaft hardness	<300 HV

Weight	
Excl. packaging	Max. 1.1 kg, without auxiliary switches Max. 1.3 kg, with auxiliary switches

³⁾ Documents can be downloaded at <http://siemens.com/bt/download>.

!	NOTICE
	<p>Shaft connection – Important notes for the manufacturer / installer</p> <p>Use of unsuitable damper shafts may damage the damper or damper shaft.</p> <ul style="list-style-type: none"> • Use only damper shafts with diameters suitable for the damper surface. • Use only quality materials typical for the sector for damper shafts/rods.

Dimensions



Dimensions in mm