

TECHNICAL HYDRAULIC HANDBOOK

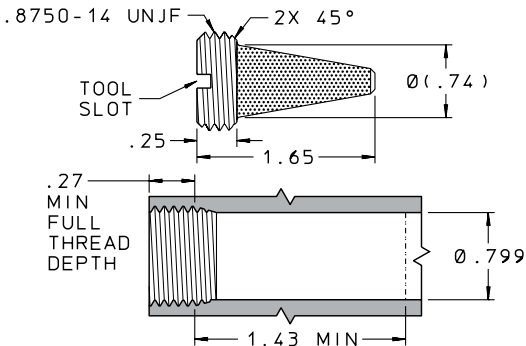
12TH EDITION



Innovation in Miniature



The Lee Company



PERFORMANCE			
LEE PART NUMBER	LOHM RATE (nom.)	BURST / COLLAPSE PRESSURE psid (min.)	ROB NUMBER
FSHB8750107A	5	7500	15
FSHB8750110A	4	7500	35
FSHB8750115A	4	7500	76
FSHB8750120A	4	7500	141
FSHB8750125A	4	7500	240
FSHB8750140A	4	7500	806
FSHB8750150A	4	7500	1856

SPECIFICATIONS (nom.)					
LEE PART NUMBER	HOLE SIZE in	HOLE SIZE μm	OPEN AREA in ²	TOTAL AREA in ²	NUMBER OF HOLES
FSHB8750107A	0.003	75	0.28	2.12	39 610
FSHB8750110A	0.004	100	0.42	2.12	33 420
FSHB8750115A	0.006	150	0.42	2.12	14 855
FSHB8750120A	0.008	200	0.42	2.12	8 355
FSHB8750125A	0.010	250	0.42	2.12	5 350
FSHB8750140A	0.015	380	0.49	2.12	2 770
FSHB8750150A	0.020	500	0.49	2.12	1 560

MATERIALS			
PART	MATERIAL	SPECIFICATION	FINISH
Screen	15-5PH CRES	AMS 5659	Passivate