



FS-N11CP

Fibre Amplifier, M8 Connector Type, Main Unit, PNP



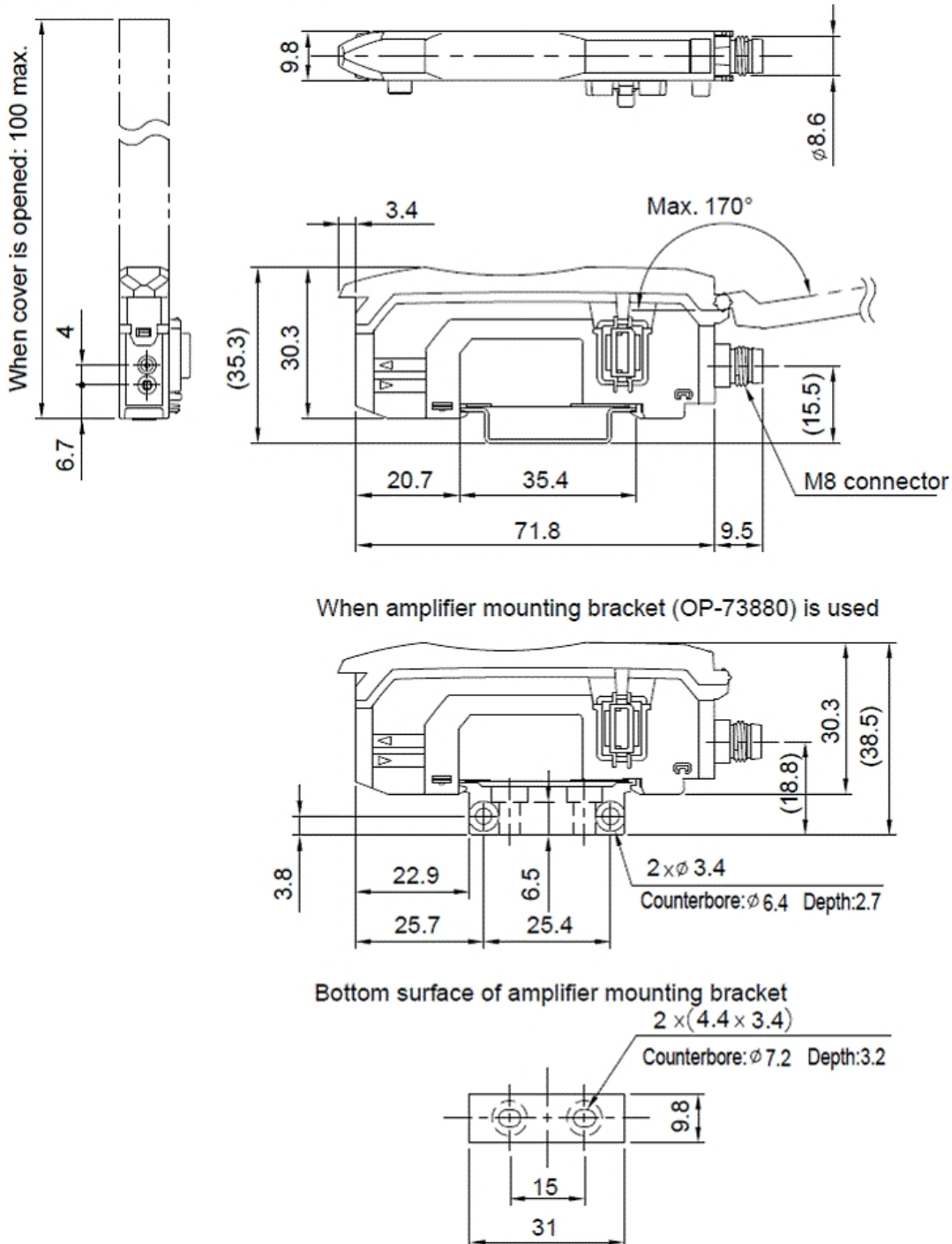
SPECIFICATIONS

Model	FS-N11CP	
Type	Standard 1 output M8 connector ¹	
Output	PNP	
Main unit/Expansion unit	Main unit	
Control output	1 PNP open collector 24 V; 1 output max: 100 mA or less; 2 output total: 100 mA or less (used stand-alone)/20 mA or less (multiple connections); residual voltage 1 V or less	
External input	1 Input time 2 ms (ON)/20 ms (OFF) or more (25 ms or more (ON/OFF) when external calibration is selected.)	
Response time	50 μs (HIGH SPEED) /250 μs (FINE) /500 μs (TURBO) /1 ms (SUPER) /4 ms (ULTRA) /16 ms (MEGA)	
Multiple connections to Expansion units	Up to 16 units can be connected total (two output type is treated as two units)	
Light source	Red, 4-element LED	
APC	ON/OFF switchable (Factory setting: OFF)	
Number of interference prevention units	0 for HIGH SPEED; 4 for FINE; 8 for TURBO/SUPER/ULTRA/MEGA (When set to double, the number of interference-prevention units will be doubled.)	
Rating	Power voltage	12 to 24 VDC ±10 %, Ripple (P-P) 10 % or less
	Current Consumption	Normal: 950 mW or less (39 mA max. at 24 V, 52 mA max. at 12 V) ² Eco on mode: 850 mW or less (35 mA max. at 24 V, 44 mA max. at 12 V) ² Eco Full mode: 520 mW or less (21 mA max. at 24 V, 26 mA max. at 12 V)
Environmental resistance	Ambient light	Incandescent lamp: 20,000 lux or less, Sunlight: 30,000 lux or less
	Ambient temperature	-20 to +55 °C (No freezing) ³
	Relative humidity	35 to 85 % RH (No condensation)
	Vibration resistance	10 to 55 Hz, Double amplitude 1.5 mm, 2 hours in each of the X, Y, and Z directions
	Shock resistance	500 m/s ² , 3 times in each of the X, Y, and Z directions
Case material	Both main unit and expansion unit housing material: Polycarbonate	
Weight	Approx. 22 g	
¹ Use a cable length of 30 m or less for M8 connector types. ² Increases 100 mW (4.0 mA) for High Speed mode ³ One or two more units connected: -20 to +55 °C; 3 to 10 more units connected: -20 to +50 °C; 11 to 16 more units connected: -20 to +45 °C. When using 2-outputs, one unit is counted as two units. All temperature regulations are for when the unit is mounted on a DIN rail and installed on metal sheeting.		

Dimensions

* Download CAD file or product manual for larger image/text and more detail.

FS-N11CN / N11CP / N13CP

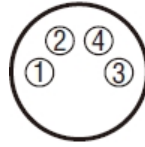


* 1 FS-N11CN(P)/N13CP/ is not provided with an expansion connector.

I/O Circuit Connection diagram

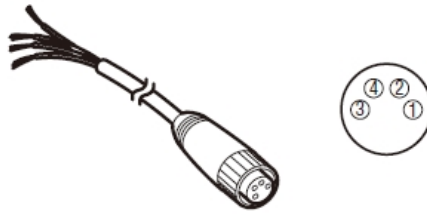
* Download CAD file or product manual for larger image/text and more detail.

Output Circuit Diagram



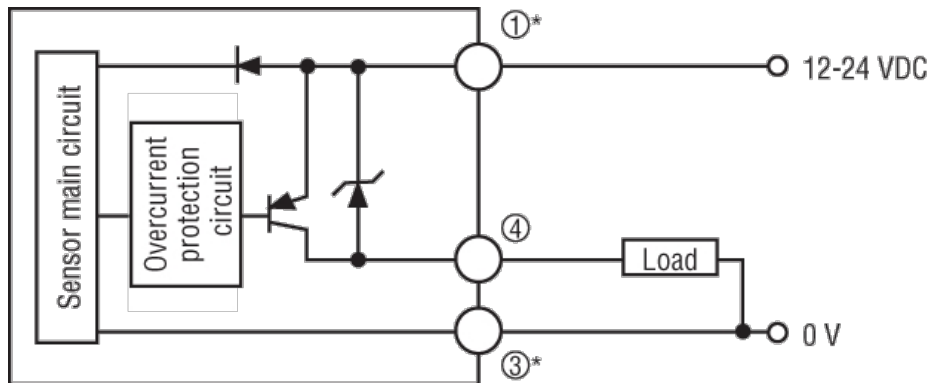
- *1 FS-N11N/N11MN/N13N only
- *2 FS-N11MN only
- *3 The FS-N13N/N14N has a white cable as separate output 2.

Output Circuit Diagram



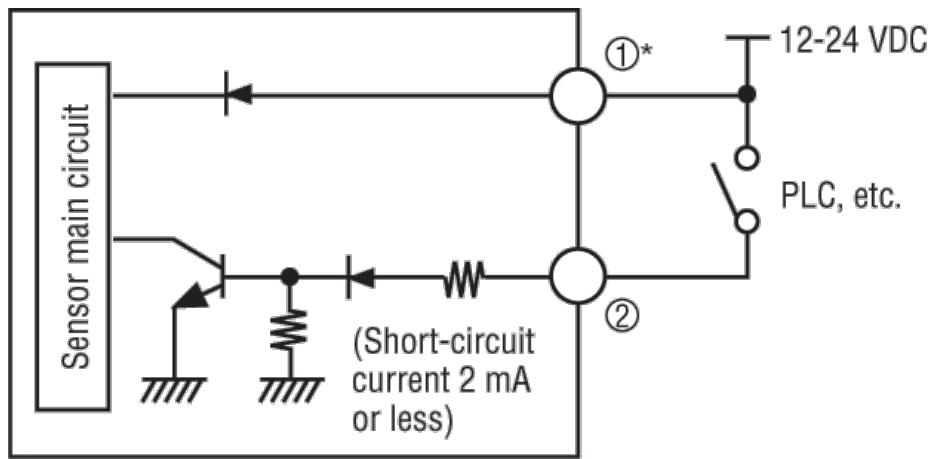
- *1 FS-N11P/N13P/N13CP only
- *2 The FS-N13P/N14P has a white cable as separate output The FS-N13CP/N14CP has pin 2 as separate output 2.

Output Circuit Diagram



* FS-N11CP only

Input Circuit Diagram



* FS-N11CP only