

## FRS923 Filter regulator



Control of instrument supply air pressure, and removal by filtration of dust particles and water content. Mounting brackets inclusive.

### FEATURES

#### Pressure reducer and supply air station:

- Minimal effect of upstream pressure fluctuation.
- Low inherent air consumption.
- With or without filter
- Ambient temperature range  $-40$  to  $+80$  °C
- Explosion protection II 2 G c IIC T4 -T6  
ATEX - Constructive design  
CU TR - Constructive design

**TECHNICAL DATA**

**Filter regulator**

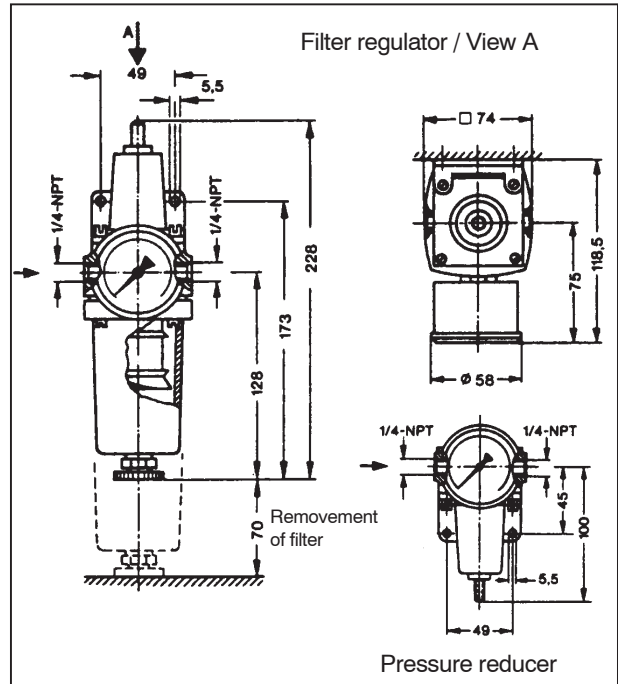
Pressure reducer, including mounting bracket and filter bowl

- Input . . . . . max. 15 bar / 1.5 MPa / 15 kg/cm<sup>2</sup> / 220 psi
- Control range . . . . . 0 to 2.5 bar/0 to 35 psi (Code -1)  
0 to 6 bar/0 to 90 psi (Code -2)
- Indicating range . . . . . 0 to 2.5 bar/0 to 35 psi (Code -1)  
0 to 10 bar/0 to 145 psi (Code -2)
- Error limit . . . . . Class 2.5
- Air throughput Qn . . . . . max. 24 m<sup>3</sup>/h \*
- Upstream press. dependency ≤ 1 mbar/0.1 bar
- Max.inherent air consumption ≤ 0.001 m<sup>3</sup>/h \*
- Location class . . . . . IP 54 acc. to IEC 529
- Area classification . . . . . D2 acc. to IEC 654/1
- Ambient temperature range . . -40 to +80 °C \*\*
- Mounting . . . . . Wall mounting/Pipe mounting
- Nominal position . . . . . NL 90
- Pneum. connections . . . . . internal thread 1/4 – 18 NPT

**Materials:**

- Filter: Sintered bronze, diffusion tinned, filter grade 30 μm
- Filter bowl: Diecast Aluminum
- Gauge: housing, plastic; measuring system, brass  
vers. without nonferrous metal, Mat. No. 1.4571
- Weight . . . . . approx. 1 kg

**DIMENSIONS**



\* Measured at 7 bar upstream pressure and 1.4 bar output pressure, based on standard reference conditions.  
 \*\* The supply air must be dry for operation at temperatures below 0 °C (observe dew point)

**MODEL CODES**

|  |               |        |
|--|---------------|--------|
| <b>Pressure Regulator without or with Filter</b>                                   | <b>FRS923</b> | 020715 |
| <b>Control range</b>   |               |        |
| 0 to 2.5 bar; 0 to 35 psi; 0 to 250 kPa . . . . .                                  | -1            |        |
| 0 to 6 bar; 0 to 90 psi; 0 to 600 kPa . . . . .                                    | -2            |        |
| <b>Version</b>   |               |        |
| Pressure Regulator without Filter . . . . .  | R             |        |
| Pressure Regulator with Filter . . . . .   | S             |        |
| <b>Gauges</b>  |               |        |
| Without . . . . . (a)  |               | W      |
| Gauge DN50 and 3 scales (kPa/bar/psi) . . . . . (b)                                |               | K      |
| SS Housing Gauge DN50 and 3 scales (kPa/bar/psi) . . (c)                           |               | V      |
| <b>Options</b>   |               |        |
| Indication Range In kg/cm <sup>2</sup> . . . . .                                   |               | -A     |
| Version Free Of Non Ferrous Metal. . . . .   |               | -C     |
| Protection Class IP65 . . . . .  |               | -F     |
| CU TR - EAC approved for Intrinsic safety . . . . .                                |               | -R     |
| Assembled free of oil and grease / Designed for Auxilliary Energy Oxygen . . . . . |               | -S     |
| Tag No. Labeling: Stamped With Weather Resistant Color . . . . .                   |               | -G     |
| Tag No. Labeling: Stainless Steel Label Fixed With Wire . . . . .                  |               | -L     |
| (a) Not available with Options -A (b) Not with Options -C (c) Not with Options -A  |               |        |

Subject to alterations – reprinting, copying and translation prohibited. Products and publications are normally quoted here without reference to existing patents, registered utility models or trademarks. The lack of any such reference does not justify the assumption that a product or symbol is free.