

Ferrule fuse-links 22x58 gG 500 to 690VAC

LOW VOLTAGE IEC FUSES

IEC CYLINDRICAL FUSE-LINKS



Mersen aM and gG fuse-links cover a wide range of physical sizes and ampere ratings for 400, 500, and 690VAC for protection in electrical distribution circuits and various industrial applications. Most ratings are available in size 8x31 and size 10x38 with an optional indicator, and in size 14x51 and 22x58 with an optional striker to activate an auxiliary contact. Size 10x38 is also available with striker. All cylindrical fuse-links have ceramic bodies and silver-plated contacts. Cylindrical fuse-links “gG” are used for the protection of cables, motors and LV-networks. They limit and cut off unacceptable overcurrents and short-circuit currents up to their nominal breaking capacity. Cylindrical fuse-links “gG” also protect electrical equipment and installations against the dynamic effect of high short-currents. Our technology and process was designed to ensure highly reliable technical performance.

TECHNICAL DATA OVERVIEW

Voltage Range AC	500 ... 690 VAC
Voltage DC	250 VDC
Ampere Range (A)	2 ... 125 A
Speed/Characteristic	gG
I.R. AC (IEC)	120 kA
I.R. DC (IEC)	100 kA
Body Material	Ceramic
Body Style	Cylindrical
Contact Materials	Silver plated copper
Product Size	22x58 mm

FEATURES & BENEFITS

- Reduced size
- Full range protection
- Striker version available for remote indication of fuse operation
- Safest and most reliable protection system

APPLICATIONS

- gG type for protection of line, cable against overload and short circuit in various industrial application and electrical distribution circuits.

STANDARDS

- IEC 60269-1 & -2
- Approved by Lloyd's Register of Shipping and Bureau Veritas



Ferrule fuse-links 22x58 gG 500 to 690VAC

PRODUCT RANGE



FR22GG69V2

Size 22x58 gG 500/690VAC without indicator

Catalog number	Item number	Rated voltage AC (IEC)	Rated voltage DC (IEC)	Rated current I _n	Rated breaking capacity AC	Rated breaking capacity DC	Power dissipation at I _n	Weight
FR22GG69V2	F219241	690 V	250 V	2 A	120 kA	100 kA	0.9 W	54 g
FR22GG69V4	H219772	690 V	250 V	4 A	120 kA	100 kA	1.25 W	54 g
FR22GG69V6	P222216	690 V	250 V	6 A	120 kA	100 kA	1.4 W	54 g
FR22GG69V8	L222972	690 V	250 V	8 A	120 kA	100 kA	1.6 W	54 g
FR22GG69V10	T200761	690 V	250 V	10 A	120 kA	100 kA	1.9 W	54 g
FR22GG69V12	J201304	690 V	250 V	12 A	120 kA	100 kA	2 W	54 g
FR22GG69V16	S201818	690 V	250 V	16 A	120 kA	100 kA	2.5 W	54 g
FR22GG69V20	P211038	690 V	250 V	20 A	120 kA	100 kA	3.4 W	54 g
FR22GG69V25	N212072	690 V	250 V	25 A	120 kA	100 kA	3.5 W	54 g
FR22GG69V32	F212594	690 V	250 V	32 A	120 kA	100 kA	3.7 W	54 g
FR22GG69V40	J213609	690 V	250 V	40 A	120 kA	100 kA	4.3 W	54 g
FR22GG69V50	P214626	690 V	250 V	50 A	120 kA	100 kA	5.3 W	54 g
FR22GG69V63	Y215646	690 V	250 V	63 A	120 kA	100 kA	6.3 W	54 g
FR22GG69V80	Q217180	690 V	250 V	80 A	120 kA	100 kA	7.4 W	54 g
FR22GG50V100	E218205	500 V	250 V	100 A	120 kA	100 kA	8.3 W	54 g
FR22GG50V125	J219773	500 V	250 V	125 A	120 kA	100 kA	11.3 W	54 g



FR22GG50V125P

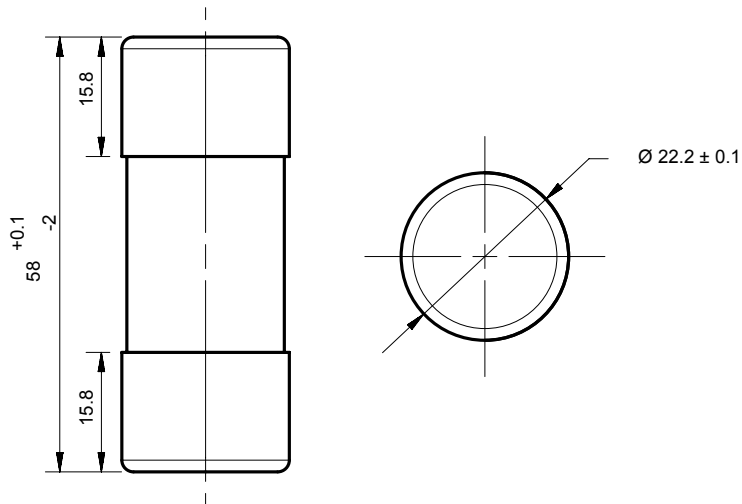
Size 22x58 gG 500/690VAC with striker

Catalog number	Item number	Rated voltage AC (IEC)	Rated voltage DC (IEC)	Rated current I _n	Rated breaking capacity AC	Rated breaking capacity DC	Power dissipation at I _n	Weight
FR22GG69V2P	N093760	690 V	250 V	2 A	120 kA	100 kA	0.9 W	54 g
FR22GG69V4P	R214628	690 V	250 V	4 A	120 kA	100 kA	1.25 W	54 g
FR22GG69V6P	A215648	690 V	250 V	6 A	120 kA	100 kA	1.4 W	54 g
FR22GG69V8P	F216665	690 V	250 V	8 A	120 kA	100 kA	1.6 W	54 g
FR22GG69V10P	W217691	690 V	250 V	10 A	120 kA	100 kA	1.9 W	54 g
FR22GG69V12P	W218726	690 V	250 V	12 A	120 kA	100 kA	2 W	54 g
FR22GG69V16P	L219775	690 V	250 V	16 A	120 kA	100 kA	2.5 W	54 g
FR22GG69V20P	P222975	690 V	250 V	20 A	120 kA	100 kA	3.4 W	54 g
FR22GG69V25P	M201307	690 V	250 V	25 A	120 kA	100 kA	3.5 W	54 g
FR22GG69V32P	S211041	690 V	250 V	32 A	120 kA	100 kA	3.7 W	54 g
FR22GG69V40P	R212075	690 V	250 V	40 A	120 kA	100 kA	4.3 W	54 g
FR22GG69V50P	M213612	690 V	250 V	50 A	120 kA	100 kA	5.3 W	54 g
FR22GG69V63P	T1022160	690 V	250 V	63 A	120 kA	100 kA	4.8 W	54 g
FR22GG69V80P	Z1022165	690 V	250 V	80 A	120 kA	100 kA	6.2 W	54 g
FR22GG50V63P	S214629	500 V	250 V	63 A	120 kA	100 kA	4.8 W	54 g
FR22GG50V80P	F216159	500 V	250 V	80 A	120 kA	100 kA	6.2 W	54 g
FR22GG50V100P	T217183	500 V	250 V	100 A	120 kA	100 kA	8.3 W	54 g
FR22GG50V125P	H218208	500 V	250 V	125 A	120 kA	100 kA	11.3 W	54 g

Ferrule fuse-links 22x58 gG 500 to 690VAC

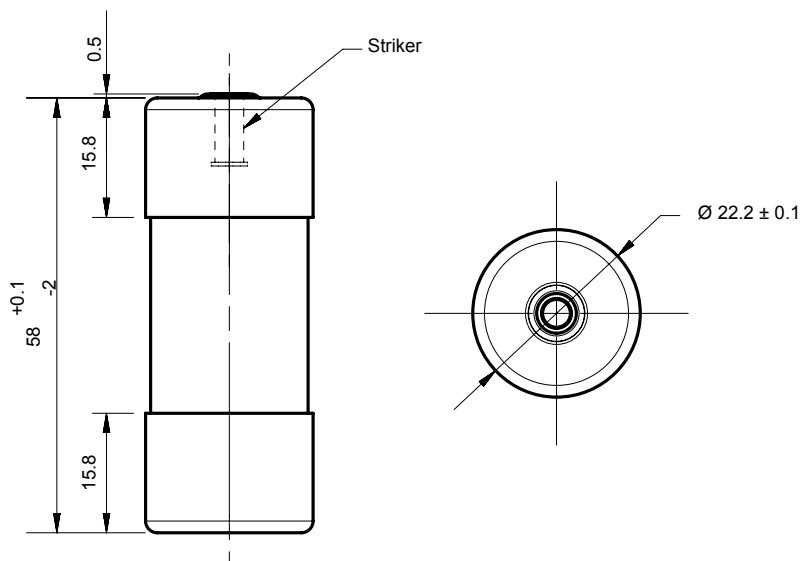
DIMENSIONS

Size 22x58 gG without indicator (10012114)



Dimensions in mm

Size 22x58 gG with striker (1001213)



Dimensions in mm