

FHDK 14P5104/S35A

Diffuse sensors with background suppression - standard

Article number: 11001171

Overview

- background suppression
- 30 ... 500 mm
- pulsed red LED
- PNP
- mechanical, 10 turn
- connector M8 4 pin
- -25 ... 65 °C
- IP 67



Picture similar



Technical data

General data

| | |
|-------------------------------------|--------------------------|
| Type | Background suppression |
| Light source | Pulsed red LED |
| Sensing distance T_w | 30 ... 500 mm |
| Sensing range T_b (at T_w max.) | 30 ... 500 mm |
| Sensing range T_b (at T_w min.) | 5 ... 30 mm |
| Alignment / soiled lens indicator | Flashing light indicator |
| Light indicator | LED yellow |
| Sensing distance adjustment | Mechanical, 10 turn |
| Wave length | 660 nm |
| Suppression of reciprocal influence | Yes |

Electrical data

| | |
|------------------------------------|---------------|
| Response time / release time | < 5 ms |
| Voltage supply range +Vs | 10 ... 30 VDC |
| Current consumption max. (no load) | 30 mA |

Electrical data

| | |
|-----------------------------|----------------------|
| Current consumption typ. | 25 mA |
| Voltage drop V_d | < 1.8 VDC |
| Output function | Light / dark operate |
| Output circuit | PNP |
| Output current | < 100 mA |
| Short circuit protection | Yes |
| Reverse polarity protection | Yes |

Mechanical data

| | |
|------------------|---------------------|
| Width / diameter | 14.8 mm |
| Height / length | 43 mm |
| Depth | 31 mm |
| Type | Rectangular |
| Housing material | Plastic (ASA, MABS) |
| Front (optics) | PMMA |
| Connection types | Connector M8 4 pin |

Ambient conditions

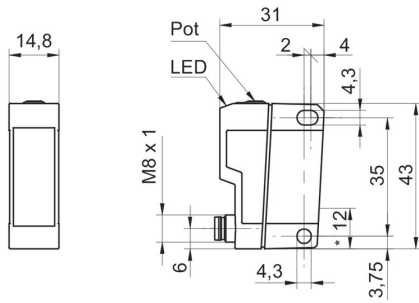
| | |
|-----------------------|----------------|
| Protection class | IP 67 |
| Operating temperature | -25 ... +65 °C |

FHDK 14P5104/S35A

Diffuse sensors with background suppression - standard

Article number: 11001171

Dimension drawing



- * emitter axis

Connection diagram

