

F64G - Olympian Plus Plug-In System

General purpose filter

- > Port size: 1/4" ... 3/4" (ISO G/PTF)
- > Effective liquid removal and positive solid filtration
- > Large filter element area for minimum pressure drop
- > Quick release bayonet bowl



Technical features

Medium:

Compressed air only

Maximum operating pressure:

17 bar (246 psi)

Filter element:

40 µm (standard) 5 µm (optional)

Flow:

See diagrams on page 2

Port sizes:

1/4", 3/8", 1/2" or 3/4"

Drain:

Manual or automatic

Automatic drain conditions:

Pressure to close drain:

> 0,3 bar (4.3 psi)

Pressure to open drain:

< 0,2 bar (2.9 psi)

Minimum air flow to close drain:

0,6 dm³/s (1.3 scfm)

Service life indicator:

Without (standard)

With on request

Bowl size:

0,2 litre (7 fluid oz)

Standard compliances:

II 2G Ex h IIC T6 Gb

II 2D Ex h IIIC T85° Db

Ambient/Media temperature:

-20° ... +80°C (-4° ... +176°F)

Air supply must be dry enough to avoid ice formation at temperatures below +2°C (+35°F).

Materials:

Body and yoke: Zinc alloy

Connection piece: Aluminium

Metal bowl: Aluminium

Prismatic liquid level indicator:

Grilamid

Filter element: Sintered plastic

Element: Sintered bronze or plastic

Elastomers: NBR

Technical data, standard models

Symbol	Port size	Size	Filter element (µm)	Flow * (dm ³ /s)	Bowl	Drain	Weight (kg)	Model
	G1/4	—	40	33	Metal	Manual	1,42	F64G-2GN-MD3
	G3/8	—	40	66	Metal	Manual	1,42	F64G-3GN-MD3
	G1/2	Basic	40	75	Metal	Manual	1,32	F64G-4GN-MD3
	G3/4	—	40	75	Metal	Manual	1,72	F64G-6GN-MD3
	Without yoke	—	40	—	Metal	Manual	0,92	F64G-NNN-MD3
	G1/4	—	40	33	Metal	Automatic	1,42	F64G-2GN-AD3
	G3/8	—	40	66	Metal	Automatic	1,4	F64G-3GN-AD3
	G1/2	Basic	40	75	Metal	Automatic	1,37	F64G-4GN-AD3
	G3/4	—	40	75	Metal	Automatic	1,73	F64G-6GN-AD3
	Without yoke	—	40	—	Metal	Automatic	0,94	F64G-NNN-AD3

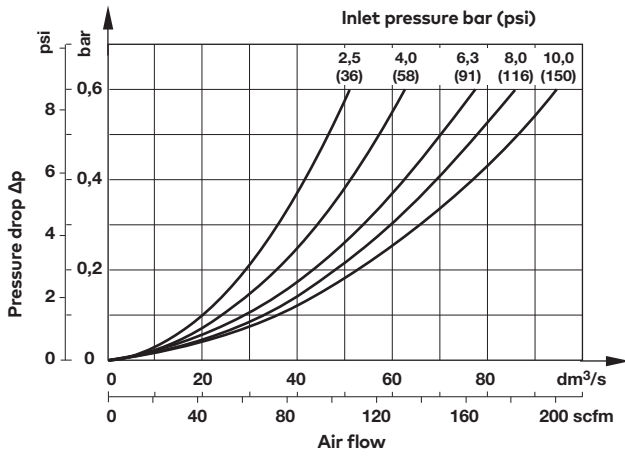
* Typical flow with 10 bar (145 psi) inlet pressure, and 6,3 bar (91 psi) set pressure and 0,5 bar (7.2 psi) drop from set.

Option selector

Port size	Substitute	F64G-★ ★ ★ -★ D★		Element	Substitute
1/4"	2			5 µm	1
3/8"	3			40 µm (standard)	3
1/2"	4			Drain	Substitute
3/4"	6			Automatic	A
Without yoke (standard)	N			Manual	M
Threads form	Substitute			Service life indicator	Substitute
PTF	A			Mechanical	D
ISO G (standard)	G			Without (standard)	N
Without yoke (standard)	N				

Flow characteristics


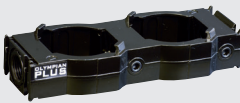




Port size: 1/2"; Filter element 40 µm



Accessories and service kit



Accessories

	Models with G-thread Single yoke	Double yoke	3/2 Shut-off valve Threaded inlet only	Threaded outlet only	End connector kit	Rear entry bracket kit
						
Thread	5				2	8
G1/4	Y64A-2GA-N1N	Y64A-2GA-N2N	T64T-2GB-P1N	T64T-2GC-P1N	—	—
G3/8	Y64A-3GA-N1N	Y64A-3GA-N2N	T64T-3GB-P1N	T64T-3GC-P1N	—	—
G1/2	Y64A-4GA-N1N	Y64A-4GA-N2N	T64T-4GB-P1N	T64T-4GC-P1N	74505-50	—
G3/4	Y64A-6GA-N1N*	Y64A-6GA-N2N*	T64T-6GB-P1N	T64T-6GC-P1N	74505-53	18-026-981
1/4 PTF	Y64A-2AA-N1N	Y64A-2AA-N2N	T64T-2AB-P1N	T64T-2AC-P1N	—	—
3/8 PTF	Y64A-3AA-N1N	Y64A-3AA-N2N	T64T-3AB-P1N	T64T-3AC-P1N	—	—
1/2 PTF	Y64A-4AA-N1N	Y64A-4AA-N2N	T64T-4AB-P1N	T64T-4AC-P1N	74505-52	—
3/4 PTF	Y64A-6AA-N1N*	Y64A-6AA-N2N*	T64T-6AB-P1N	T64T-6AC-P1N	74505-55	—

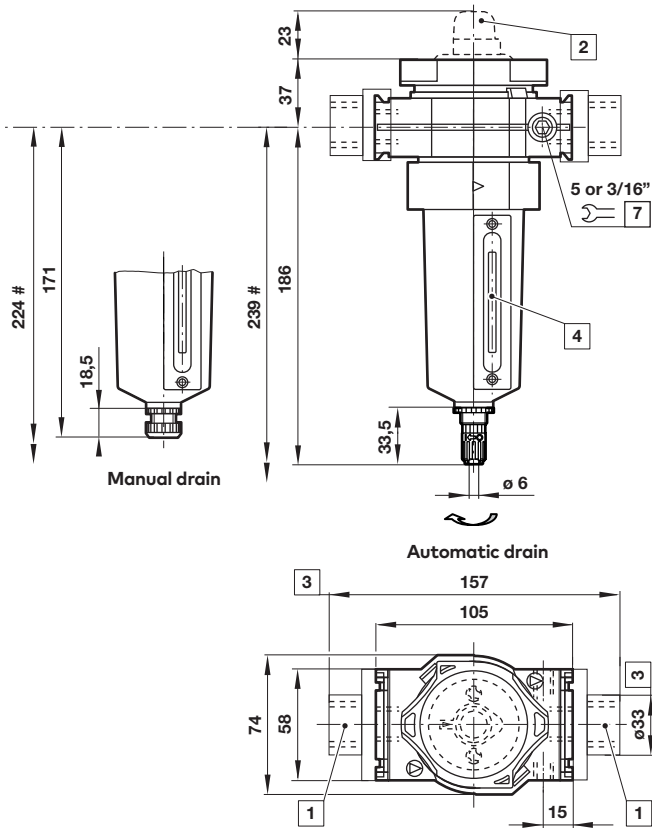
*These yokes are supplied with two end connector kits as standard.

Bracket mounting	Nut	Yoke connector kit	Porting block	Padlock with two keys
				
1	4	9		
74504-50	74502-89	74503-51	74507-50	0613633 (brass)

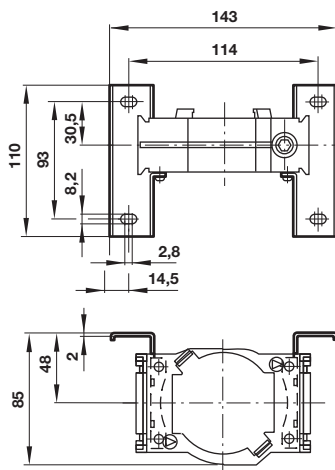
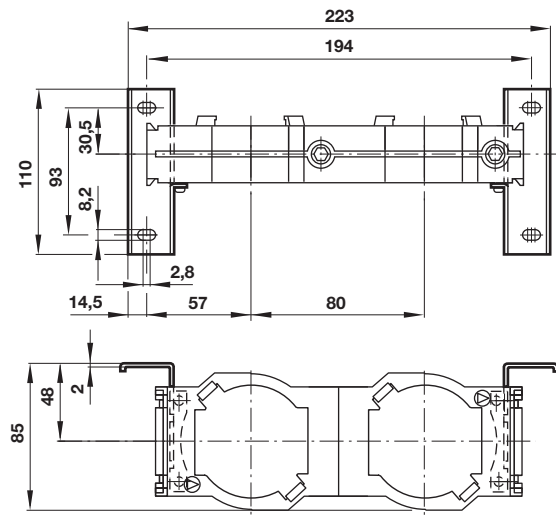
Service kit

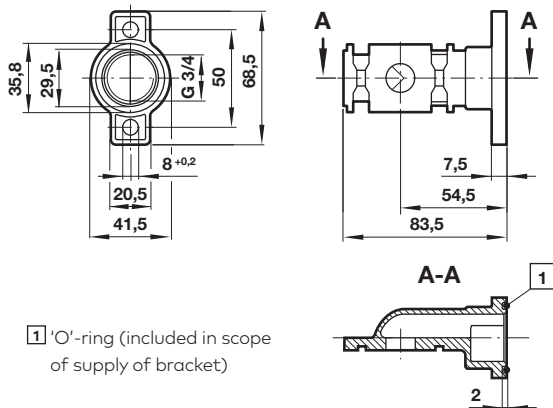
Service kit Automatic drain	Service kit Manual drain
	
F64G-KITA40	F64G-KITM40

Basic dimensions

 Dimensions in mm
 Projection/First angle


- # Minimum clearance required to remove bowl
- 1 Main ports 1/4", 3/8", 1/2" or 3/4"
 - 2 Service indicator optional
 - 3 For main ports 3/4" only
 - 4 Sight glass
 - 7 Gauge port 1/8"

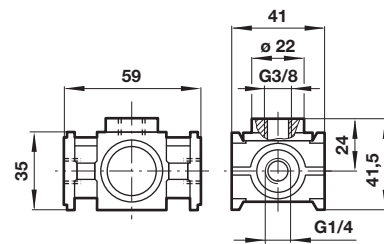
Single yoke with bracket mounting

Double yoke with bracket mounting


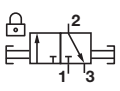
**Rear entry bracket
18-026-981**


1 O'-ring (included in scope of supply of bracket)

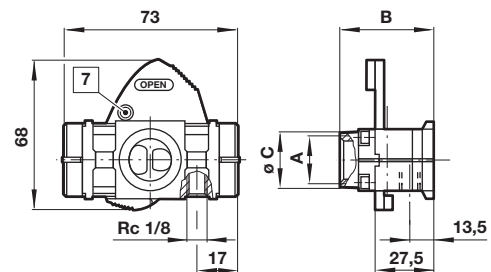
**Porting block
74507-50**

Dimensions in mm
Projection/First angle


3/2 Shut-off valve

Symbol	A	B	ø C	Model
	G1/4	48	27	T64T-2G*-P1N
	G3/8	48	27	T64T-3G*-P1N
	G1/2	48	27	T64T-4G*-P1N
	G3/4	51	33	T64T-6G*-P1N

* B = Threaded inlet only, C = Threaded outlet only



7 Padlock hole ø7,5 mm

Warning

These products are intended for use in industrial compressed air systems only. Do not use these products where pressures and temperatures can exceed those listed under

»Technical features/data«.

Before using these products with fluids other than those specified, for non-industrial applications, life-support systems or other applications not within published specifications, consult IMI Precision Engineering.

Through misuse, age, or malfunction, components used in fluid power systems can fail in various modes.

The system designer is warned to consider the failure modes of all component parts used in fluid power systems and to provide adequate safeguards to prevent personal injury or damage to equipment in the event of such failure.

System designers must provide a warning to end users in the system instructional manual if protection against a failure mode cannot be adequately provided.

System designers and end users are cautioned to review specific warnings found in instruction sheets packed and shipped with these products.