



Ex-TX490

Ex - TX

Protection class with immersion tube:

⊕ II 2G Ex d e IIC T6 Gb

⊕ II 1/2D Ex ta/tb IIC T80 °C Da/Db

Rod thermostats are suitable for direct installation in tanks, pipelines and air ducts. The immersion wells can be fitted in advance.



SIL 2 according IEC 61508-2

Technical data

Housing Diecast aluminium GD Al Si 12 according to DIN 1725.

Mounting position vertically upright

Permitted ambient temperature at switching device -20...+60°C

Permitted temperature at sensor See Product Summary

Contact arrangement Single pole changeover switch

Switching capacity 8 (5) A 250 VAC

Degree of protection IP 65 according to DIN EN60529 (with vertical installation)

Calibration Scale value corresponds to the lower switching point (with falling temperature), the upper switching point is higher by the amount of the switching differential

Switching temperature Adjustable from outside with screwdriver

Switching Not adjustable

Product Summary

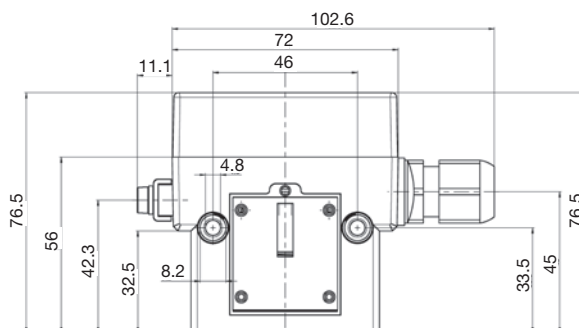
Type	Setting range	Switching differential (Tolerance)	Max. permissible temperature
Immersion depth 135 mm			
Ex-TX023	-20 to + 30 °C	0,5 ... 1,0 K	110 °C
Ex-TX150	+10 to + 50 °C	0,4 ... 1,5 K	110 °C
Ex-TX490	+40 to + 90 °C	0,2 ... 3,0 K	125 °C
Immersion depth 220 mm			
Ex-TXB023	-20 to + 30 °C	0,5 ... 1,0 K	110 °C
Ex-TXB150	+10 to + 50 °C	0,4 ... 1,5 K	110 °C
Ex-TXB490	+40 to + 90 °C	0,2 ... 3,0 K	125 °C

+ Accessories

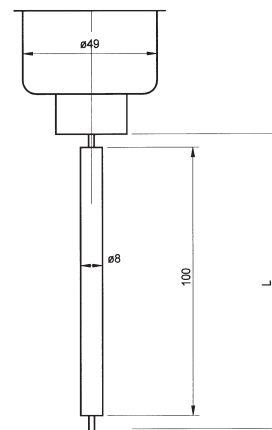
Immersion tube type R10/MS, R20/MS, R10/NST, R20/NST, RN20/MS, RN10/NST, RN20/NST, R6, R7 see page 148.

Dimensioned drawings (mm)

Switching housing 700 (terminal connection, Ex-d)



Switching housing



Temperature sensor