

3 Port Solenoid Valve Direct Operated Poppet Type

New

CE

[Option]

RoHS

Power consumption

Standard type
4 W

(Existing product: 4.8 W)

Energy-saving type
1.8 W

(Existing product: 2 W)

Vacuum applications

-101.2
kPa

A single valve with
various valve functions

(Universal porting type)

N.C. valve

N.O. valve

Divider valve

Selector valve

etc.

Low concentration ozone resistant

Rubber seal material: HNBR for main valve

Mounting dimensions are

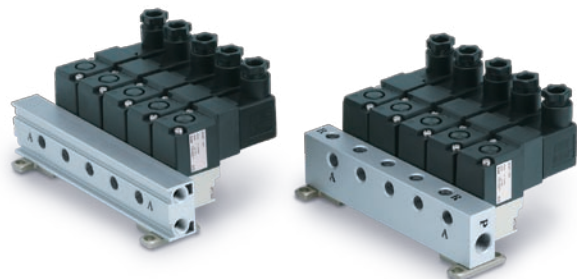
interchangeable with existing product



Body ported type



Manifold type



Series **VT307**

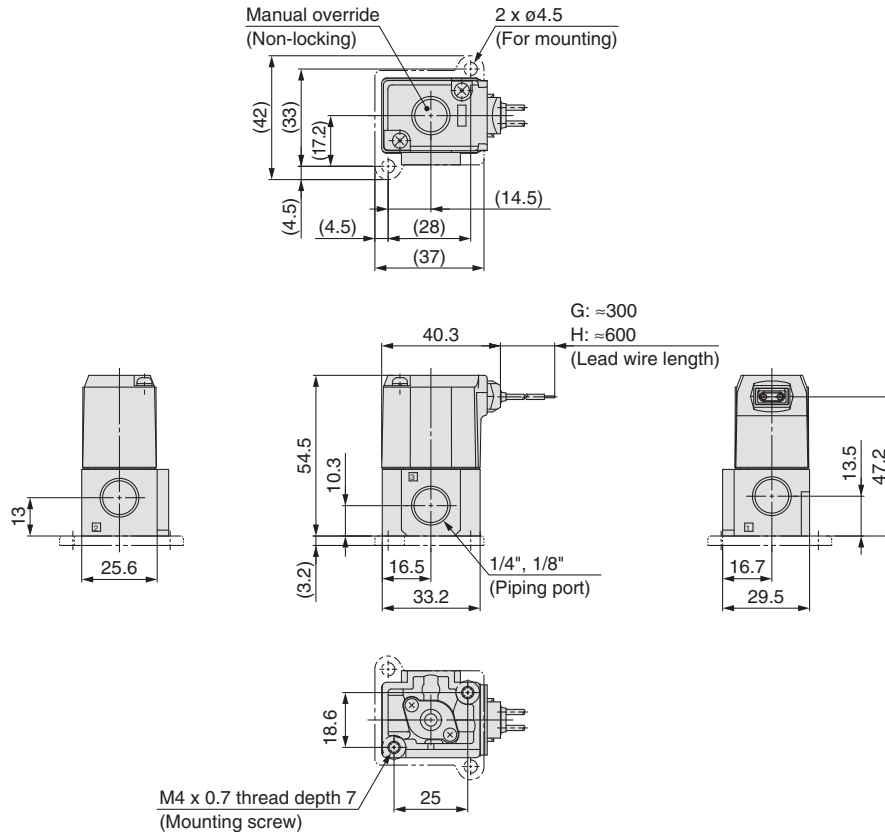
SMC

CAT.ES11-107A

Series VT307

Dimensions

Grommet: VT307-□G1



Note) There is also "VT307-□H1" (lead wire length: 600 mm).

DIN terminal: VT307-□D1

