

Bulletin 800T/H  
**30.5 mm Push Buttons**  
 Custom-Built Stations/Enclosures

**Custom-Built Stations (800H only)**



**Cat. No.**

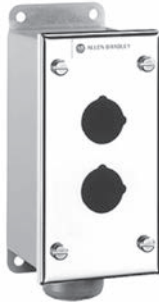
The cat. no. used to identify custom-built Bulletin 800H push button stations will be cat. no. listed for enclosure only. The letter **W** is substituted for the letter **Z** and a station serial no. will be added.

**Ordering Information**

The following information is required when ordering custom-built push button stations:

1. Cat. no. of enclosure.
2. Cat. no. of control units.
3. Legend plate cat. no. and/or marking for each unit.
4. Specify vertical/horizontal mounting.
5. Specify operator mounting sequence that you want. Including a sketch is recommended. If information not given, standard configuration will be used.

**Enclosures (800H only)**



*Stainless Steel*  
**Cat. No. 800H-2HZ4**



*Rosite Glass Polyester*  
**Cat. No. 800H-2HZ4R**



*Fiberglass*  
**Cat. No. 800H-2HZ4Y**



*Thermoplastic Polyester*  
**Cat. No. 800H-2HZ4C**

No. of Operator Openings	Conduit Hubs		Stainless Steel (#304) Type 4/4X/13*	Rosite Glass Polyester Type 4/4X/13	No. of Operator Openings	Conduit Openings		Fiberglass* Type 4/4X/13	Thermoplastic Polyester* Type 4/4X
	No.	Dia. [in.]	Cat. No.	Cat. No.		No.	Dia. [in.]‡	Cat. No.	Cat. No.
0§	1	3/4	800H-0HZ4	—	1	1	3/4	<b>800H-1HZ4Y</b>	<b>800H-1HZ4C</b>
1	1	3/4	<b>800H-1HZ4</b>	<b>800H-1HZ4R</b>	2	1	1	<b>800H-2HZ4Y</b>	800H-2HZ4C
1	2	3/4	—	800H-1HZ4RM1	3	1	1	<b>800H-3HZ4Y</b>	800H-3HZ4C
1	1	1	—	800H-1HZ4RM2	4	—	—	—	800H-4HZ4C
2	1	3/4	<b>800H-2HZ4</b>	<b>800H-2HZ4R</b>	—	—	—	—	—
2	2	3/4	800H-2HZ4M1	800H-2HZ4RM1	—	—	—	—	—
2	1	1	800H-2HZ4M2	800H-2HZ4RM2	—	—	—	—	—
3	1	3/4	<b>800H-3HZ4</b>	<b>800H-3HZ4R</b>	—	—	—	—	—
3	2	3/4	800H-3HZ4M1	800H-3HZ4RM1	—	—	—	—	—
4	1	3/4	<b>800H-4HZ4</b>	<b>800H-4HZ4R</b>	—	—	—	—	—
4	2	3/4	800H-4HZ4M1	800H-4HZ4RM1	—	—	—	—	—
5	1	1	<b>800H-5HZ4</b>	—	—	—	—	—	—
6	1	1	800H-6HZ4	800H-6HZ4R	—	—	—	—	—
7	1	1	800H-7HZ4	—	—	—	—	—	—
8	1	1	800H-8HZ4	—	—	—	—	—	—

**Note:** Other combinations of conduit hub sizes are available upon request. Enclosure and conduit dimensions are detailed on page 10-61.

\* Grounding screw provided with stainless steel enclosure.

⊗ Extra deep. Accommodates two levels of stackable sealed switch contact blocks.

‡ Conduit hubs must be ordered separately. For 3/4 in. hub, order **Cat. No. 1490-N9**. For 1 in. hub, order **Cat. No. 1490-N10**.

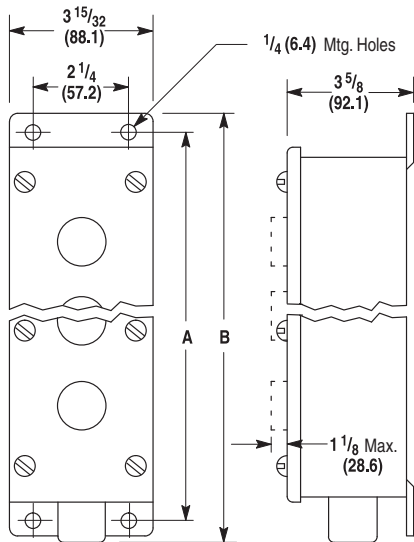
§ Identical to **Cat. No. 800H-1HZ4** but without mounting holes.

♣ No conduit openings provided.

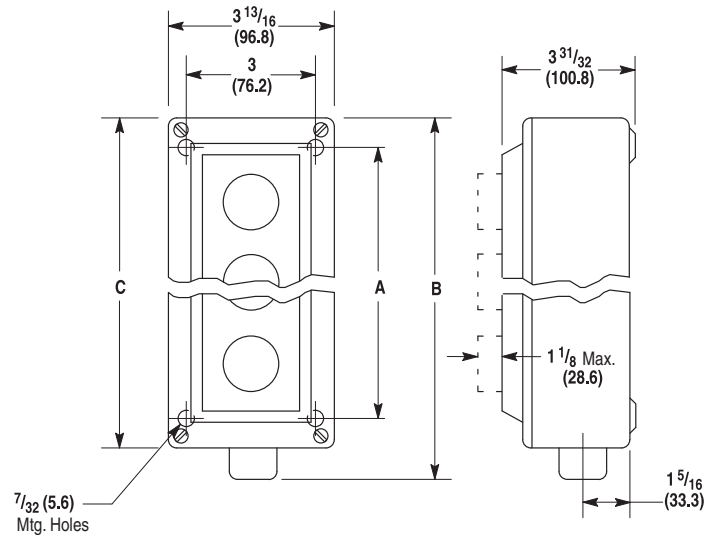
➤ Yellow thermoplastic enclosures may be ordered by adding a **Y** to the cat. no. Example: **Cat. No. 800H-1HZ4C** becomes **Cat. No. 800H-1HZ4CY**.

Dimensions in inches (millimeters). Dimensions are not intended to be used for manufacturing purposes.

**Enclosures (Bul. 800H Only)**



**Type 4/4X/13 Stainless Steel**  
 Watertight, Oiltight, Corrosion Resistant Enclosure



**Type 4/4X/13 Rosite Glass Polyester**  
 Watertight, Oiltight, Corrosion Resistant Enclosure

Dimension	Type 4/4X/13 Stainless Steel							
	Number of Units							
	1	2	3	4	5	6	7	8
A	5-5/32 (131)	7 (177.8)	8-27/32 (224.6)	10-11/16 (271.5)	12-17/32 (318.3)	14-3/8 (365.1)	16-7/32 (412)	18-1/16 (458.8)
B	6-13/32 (162.7)	8-1/4 (209.6)	10-1/8 (257.2)	11-31/32 (304)	14-1/32 (356.4)	15-7/8 (403.2)	17-3/4 (450.8)	19-19/32 (497.7)
C	—				—			
Conduit Knockout Size	—				—			
Pipe Tap Size	3/4 (19.1)				1 (25.4)			
Approximate Shipping Wt. [lbs (kg)]	2-3/4 (1.3)	3-3/4 (1.7)	4-3/4 (2.2)	5-3/4 (2.6)	6-3/4 (3.1)	7-3/4 (3.5)	8-3/4 (4)	9-3/4 (4.4)

Dimension	Type 4/4X/13 Rosite					
	Number of Units					
	1	2	3	4	5	6
A	4-1/2 (114.3)	4-1/2 (114.3)	6-1/4 (158.8)	8 (203.2)	12-1/8 (308)	12-1/8 (308)
B	7-1/32 (178.6)	7-1/32 (178.6)	8-23/32 (221.5)	10-21/32 (270.7)	14-7/8 (377.8)	14-7/8 (377.8)
C	5-7/8 (149.2)	5-7/8 (149.2)	7-9/16 (192)	9-1/2 (241.8)	13-1/2 (342.9)	13-1/2 (342.9)
Conduit Knockout Size	—			—		
Pipe Tap Size	3/4 (19.1)			1 (25.4)		
Approximate Shipping Wt. [lbs (kg)]	2 (0.9)	2 (0.9)	2-1/2 (1.1)	3 (1.4)	4 (1.8)	4 (1.8)