

**5.9.15 PROFINET® STO**

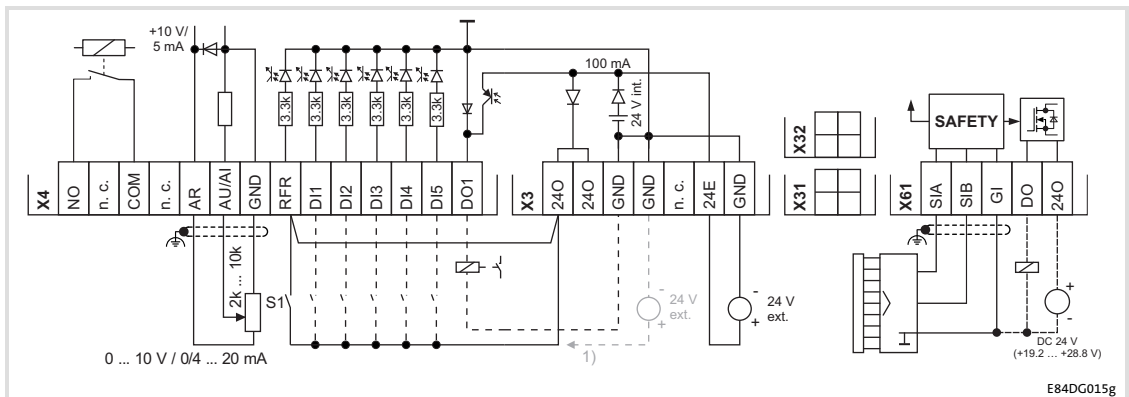
**Terminals**

Mode	Features			Position of M12 plug
<b>PROFINET STO</b> E84DGFCRFJP	Controller enable	RFR	1	
	Digital inputs	DI	5	
	Digital outputs	DO	1	
	Analog inputs	AI	1	
	Relay	NO	1	
	STO safety function	STO	1	
	External 24 V supply	24E	1	

E84DG126f

Mode	Features			Position of M12 plug
<b>PROFINET STO Enhanced</b> E84DGFCREJP	Controller enable	RFR	1	
	Digital inputs	DI	5	
	Digital outputs	DO	1	
	Analog inputs	AI	1	
	Relay	NO	1	
	STO safety function	STO	1	
	External 24 V supply	24E	1	

E84DG126b



- 1) External alternative voltage supply
- 2) Wire jumper for permanent controller enable (delivery state)

**Assignment of M12 plug**

A2	Assignment	A3	Assignment
<p>M12 female socket D-coding</p>	1 TX+	<p>M12 female socket D-coding</p>	1 TX+
	2 Rx+		2 Rx+
	3 Tx -		3 Tx -
	4 RX-		4 RX-
	5 Contact plate		5 Contact plate