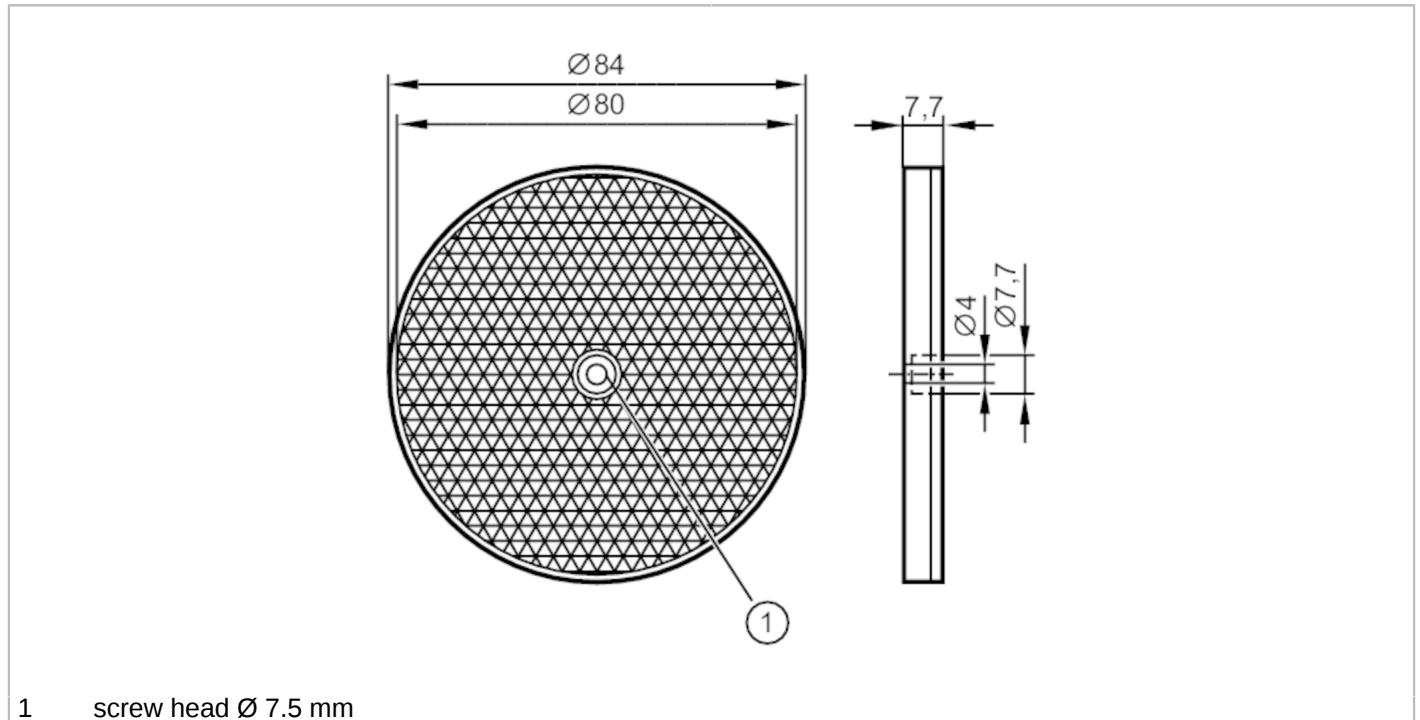


E20005



Reflector for retro-reflective sensors

REFLECTOR TS-80



Application		
Design		round, for red light and infrared light retro-reflective sensors
Operating conditions		
Ambient temperature	[°C]	-10...60
Mechanical data		
Weight	[g]	30.9
Dimensions	[mm]	\varnothing 84 / L = 7.7
Reflector surface	[mm]	\varnothing 80
Material		plastics
Remarks		
Pack quantity		1 pcs.