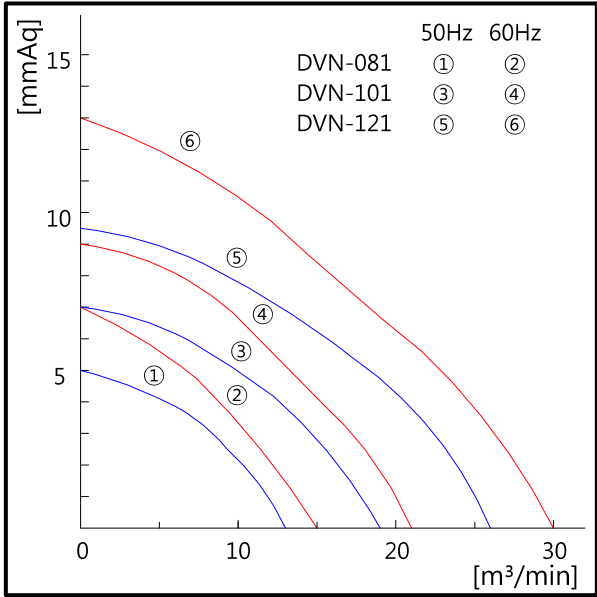
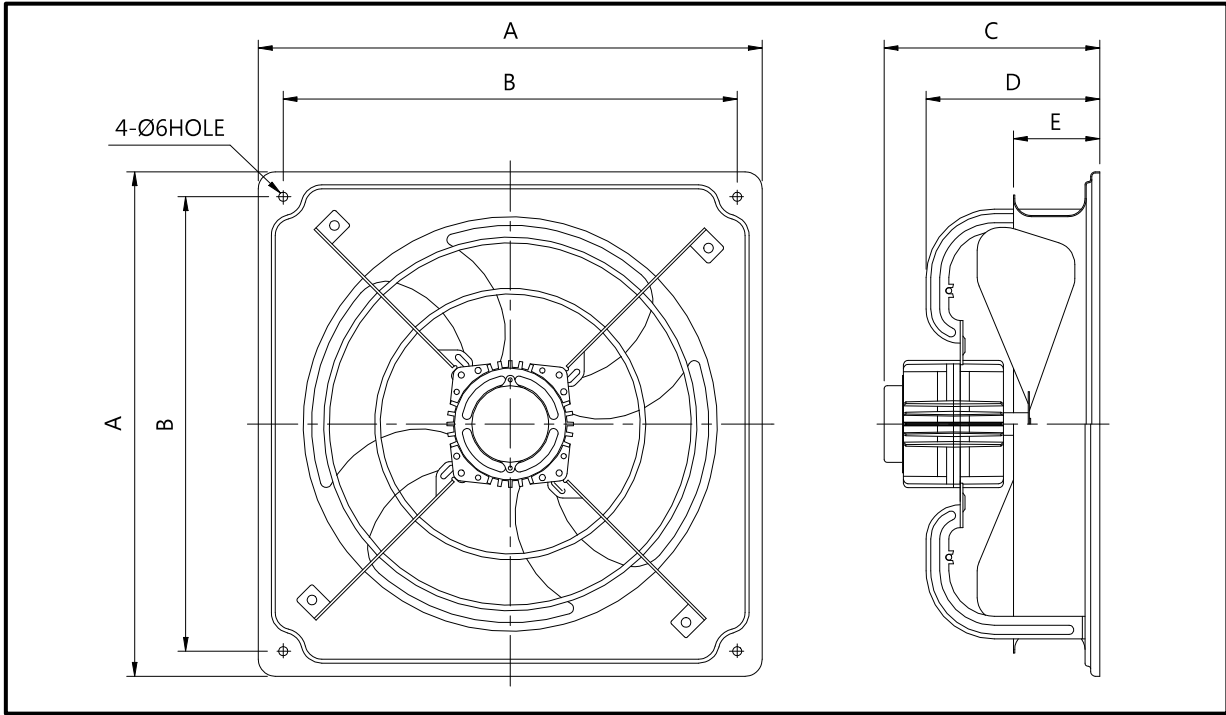


(High Pressure Ventilator)

Model	Source (V)	Blade Size (cm)	Fre- quency (Hz)	Currenct (A)	Power Input (W)	Revolution per minute (RPM)	Motor Output (KW)	Pole (P)	Air Volume		Air Pressure		Weight (kg)
									(CMM)	(CFM)	(mmAq)	(pa)	
DVN-081	1Ø 220V	20	50	0.20	43	1,425	0.01	4	13	460	5	50	2.5
			60	0.20	43	1,680			15	530	7	70	
DVN-101	1Ø 220V	25	50	0.22	47	1,320	0.02	4	19	670	7	70	3
			60	0.24	53	1,520			21	740	9	90	
DVN-121	1Ø 220V	30	50	0.23	50	1,280	0.02	4	26	920	9.5	95	3.4
			60	0.25	55	1,495			30	1,060	13	125	



Dimension

Model	(mm)				
	A	B	C	D	E
DVN-081	300	275	135	131	55
DVN-101	350	325	151	147	70
DVN-121	400	370	151	147	70



◆ Feature

- Enhance ventilating and blow with bell mouthed type.
- Enhance the durability. High air volume, Low noise oil pressure system ventilator.
- Blade is possible to be detached from motor after installation. Easy for inspection or repair.
- Low consumption electric power and the greatest efficiency compare to other products.
- hermetic motor. Long longevity.
- Enhance the cooling ability with aluminum die casting motor case.
- Possible to apply auto shutter.

◆ Available place

- Ventilating and exhausting of factory, warehouse, store.
- Ventilation and exhausting of cattle shed, green house
- Refrigeration and cooling system : Ventilation, Blowing, Exhausting in the building, apartment, underground arcade, factory, warehouse
- Assembling and cooling : Transformer, drying machine, rectifier, etc.