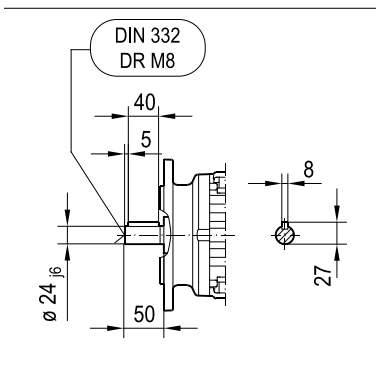
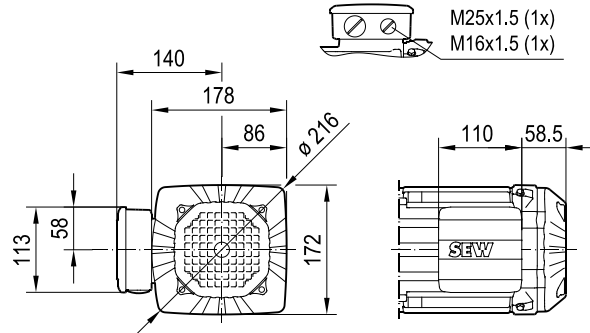


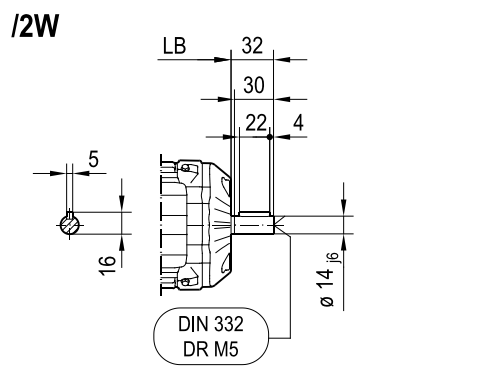
DRN..DRN..[mm]

DRN90S 2,4,6,8
 DRN90SR 6
 DRN90L 2,4,6,8

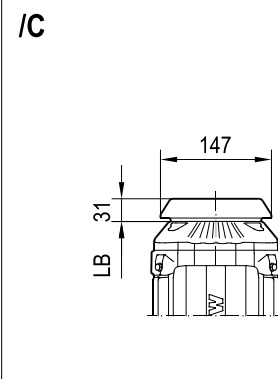
08 567 02 14
 1(2)



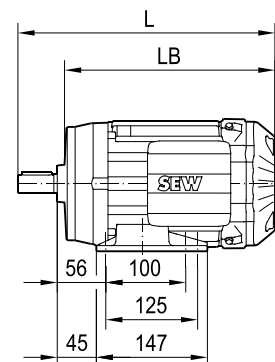
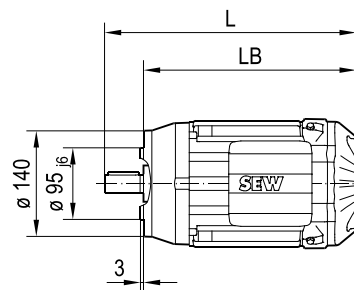
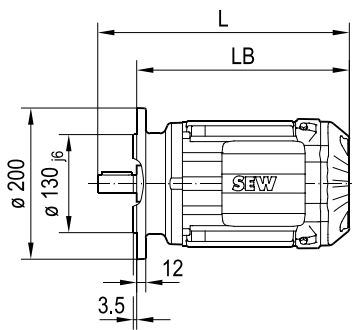
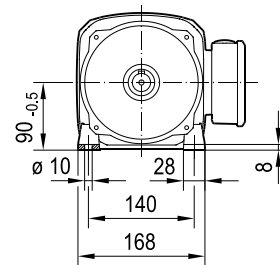
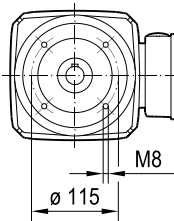
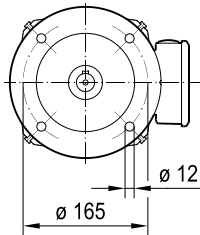
/FF (B5) FF165D200



/2W (B14) FT115D140

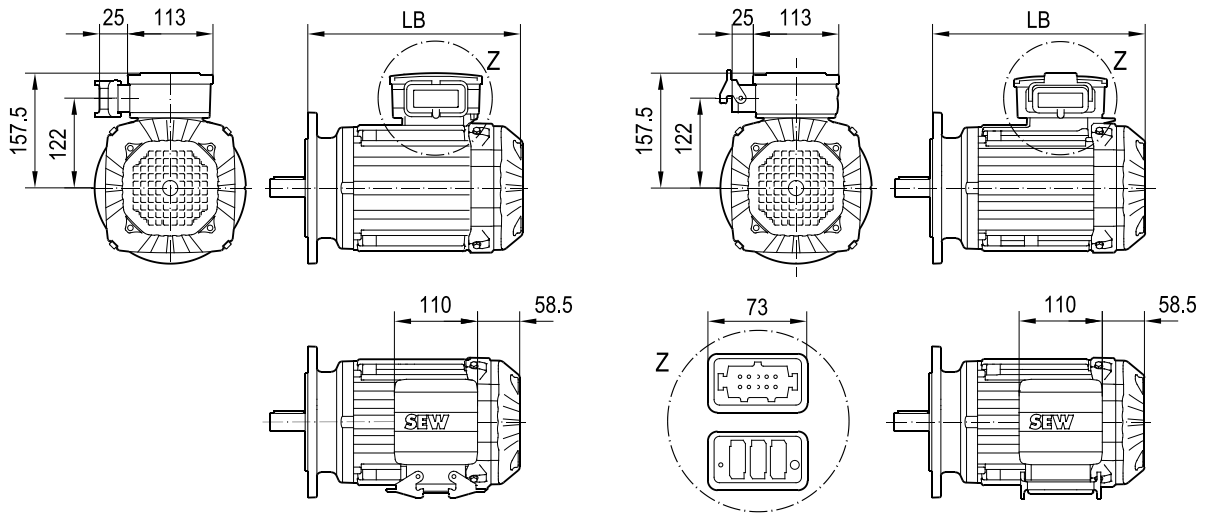


/IC (B3)

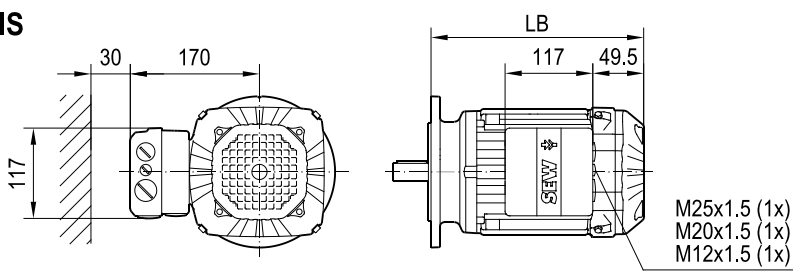


(→)	90S(R)	90L					
L	331	363					
LB (B5/B14)	281	313					
LB (B3)	279	311					

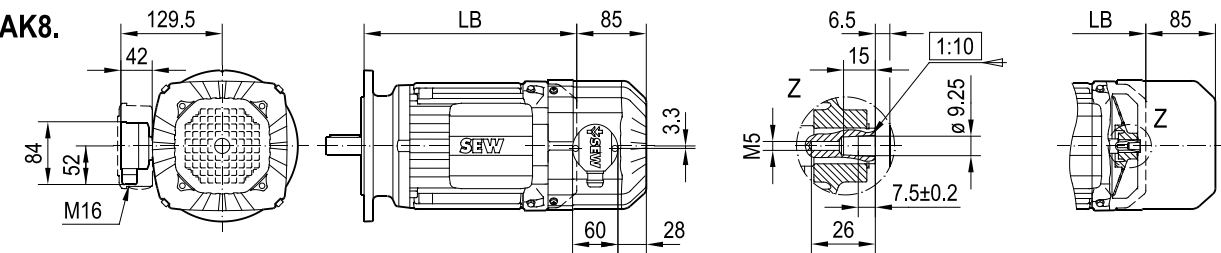
/IV



/IS

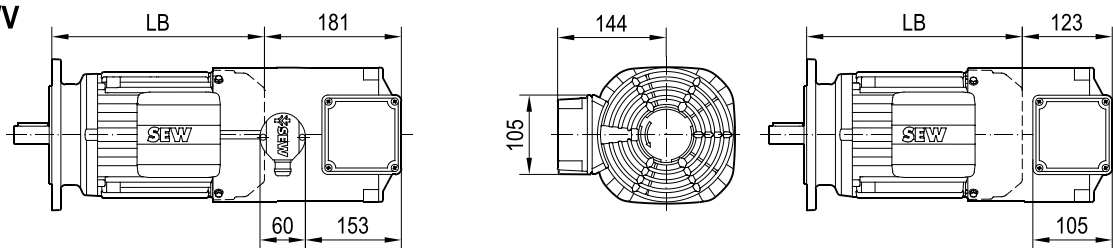


/EK8.
/AK8.



/EK8./V
/AK8./V

/V



(→ □)	90S(R)	90L						
L	331	363						
LB (B5/B14)	281	313						
LB (B3)	279	311						