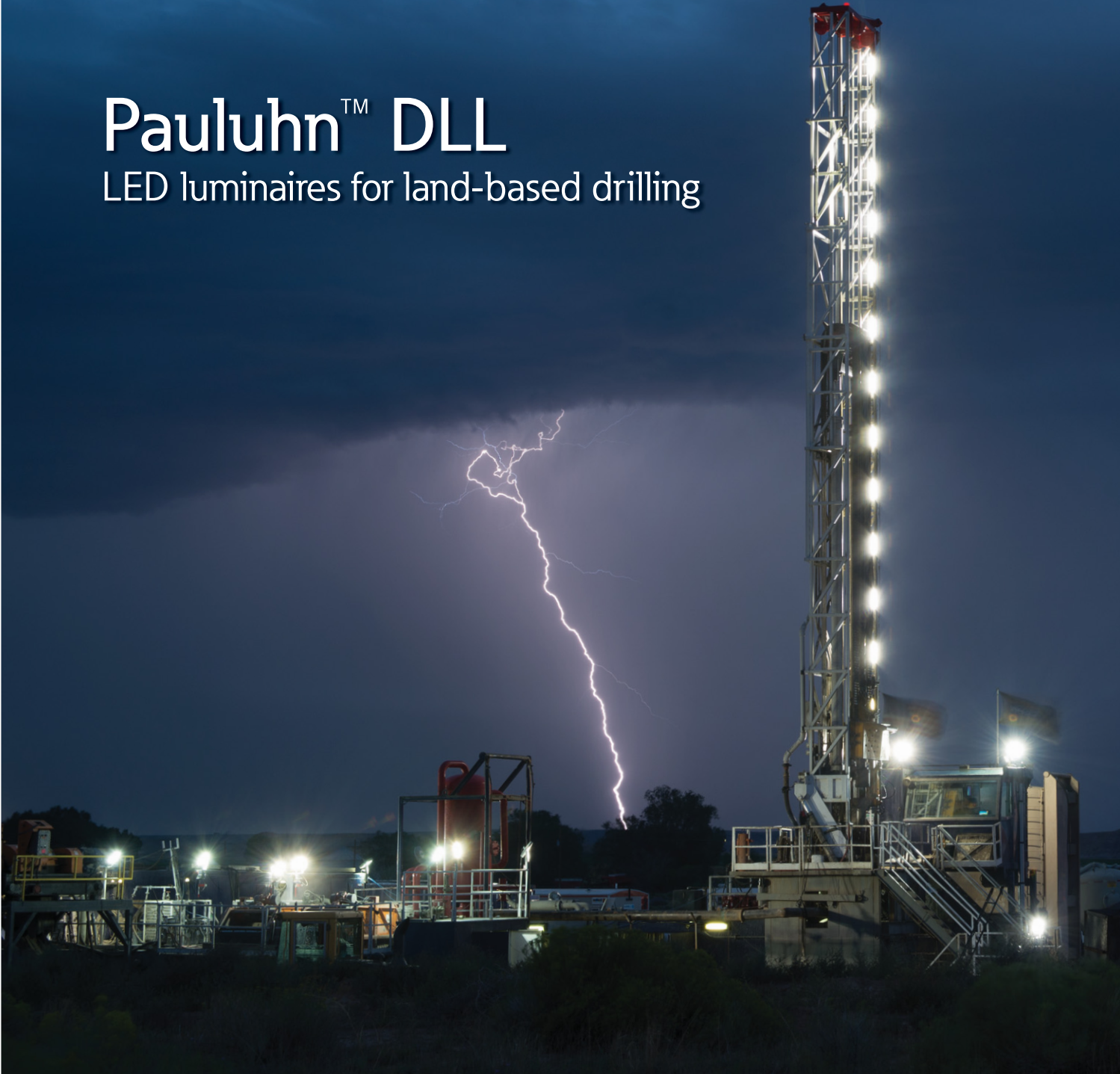


LED lighting for land-based rigs
Pauluhn™ DLL LED Luminaires

CROUSE-HINDS
SERIES

Pauluhn™ DLL

LED luminaires for land-based drilling



EATON

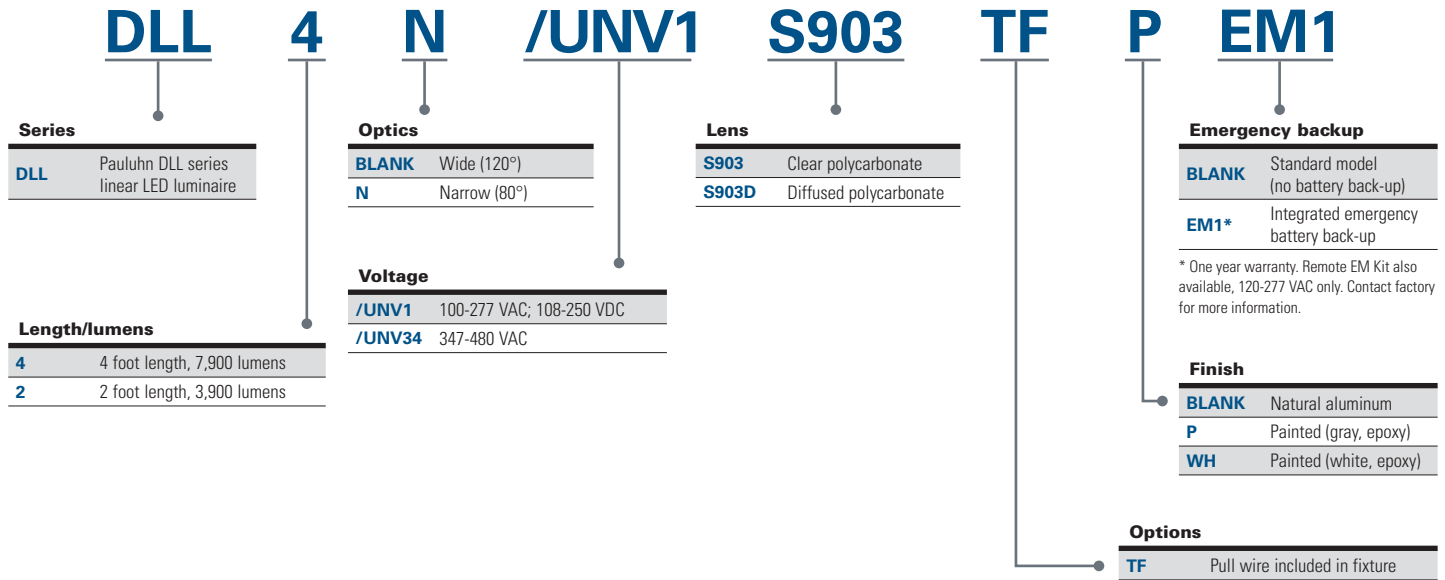
Powering Business Worldwide

Ordering information

Part number example

DLL4N/UNV1 S903 TF P EM1

DLL series linear LED, cool white, 4 foot, ½" hubs, 80° narrow light pattern, 100-277 VAC driver, polycarbonate lens, through feed hubs, painted, battery back-up



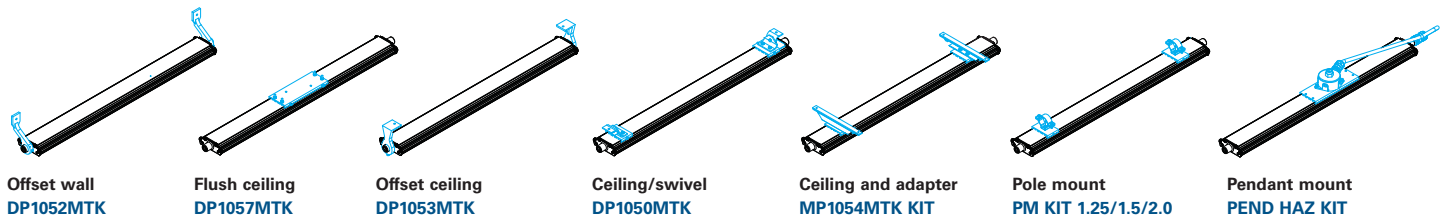
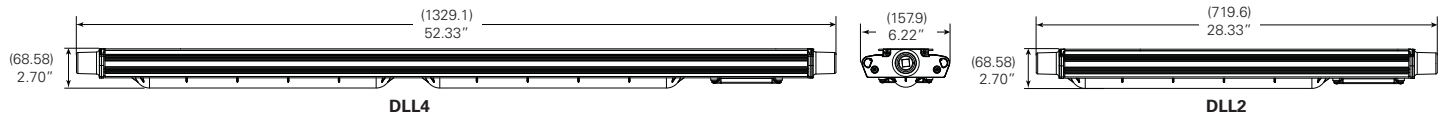
Accessories (ordered separately)

DP1057MTK	Flush/back mount back plate (compatible with DuraPro)
DP1050MTK	Ceiling/swivel mount (compatible with DuraPro)
DP1053MTK	Ceiling/wall mount offset (compatible with DuraPro)
MP1054MTK KIT	Ceiling mount bracket and adapter kit (compatible with MagnaPro)
DP1052MTK	Offset wall mount (compatible with DuraPro)
PM KIT 1.25	Pole mount kit, 1.25" conduit
PM KIT 1.5	Pole mount kit, 1.50" conduit
PM KIT 2.0	Pole mount kit, 2.00" conduit

Accessories (ordered separately)

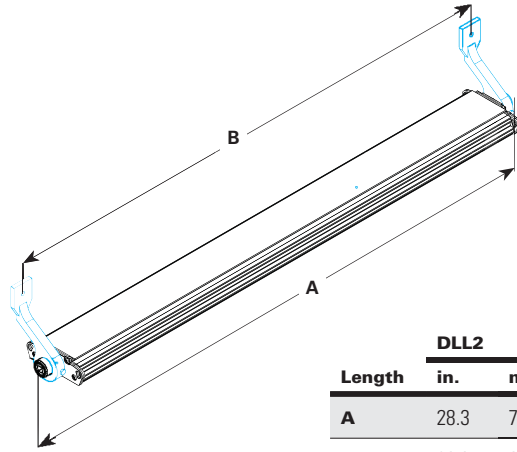
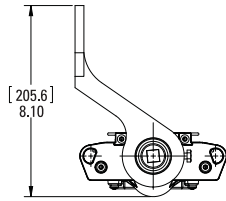
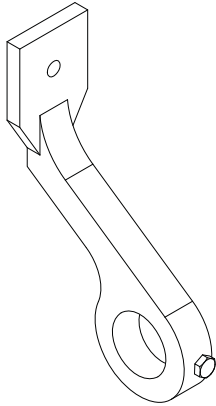
PEND HAZ KIT	Pendant mount kit
SS KIT	Safety chain kit
VMVL/UNV1 80W 1A KIT	1 amp driver replacement kit 100-277 VAC for 4 ft. linear
VMVL/UNV34 80W 1A KIT	1 amp driver replacement kit 347-480 VAC for 4 ft. linear
VMVL/UNV1 80W 0.5A KIT	0.5 amp driver replacement kit 100-277 VAC for 2 ft. linear
VMVL/UNV34 80W 0.5A KIT	0.5 amp driver replacement kit 347-480 VAC for 2 ft. linear

Dimensions & mounting options:



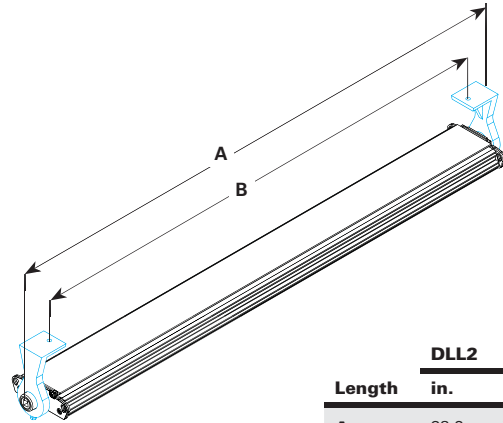
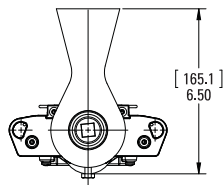
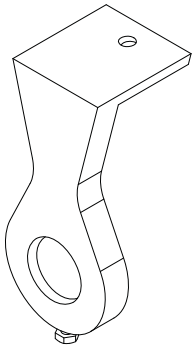
Mounting options

Offset wall DP1052MTK



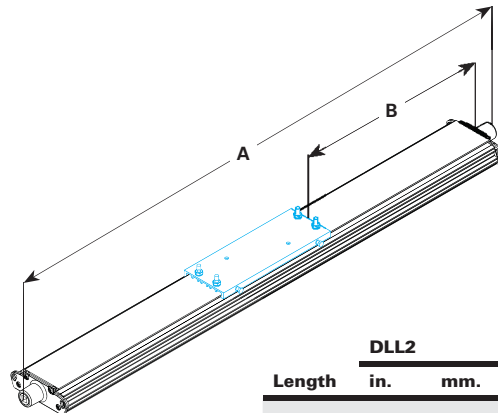
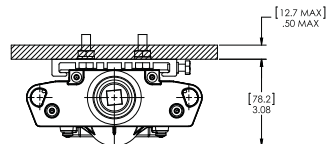
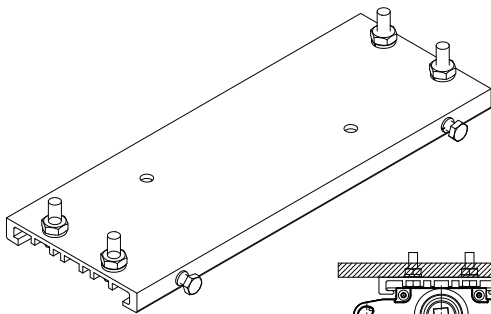
Length	DLL2		DLL4	
	in.	mm.	in.	mm.
A	28.3	720	52.3	1329
B	26.3	669	50.3	1278

Offset ceiling/wall mount DP1053MTK



Length	DLL2		DLL4	
	in.	mm.	in.	mm.
A	28.3	720	52.3	1329
B	26.3	584	47.0	1194

Flush ceiling DP1057MTK



Length	DLL2		DLL4	
	in.	mm.	in.	mm.
A	28.3	720	52.3	1329
B	6.2	157.5	18.2	462