

[Home](#) / [Products](#) / [Transfer press](#) / [Gear brackets](#) / DM

Fixed male gear bracket

DM

Download datasheet

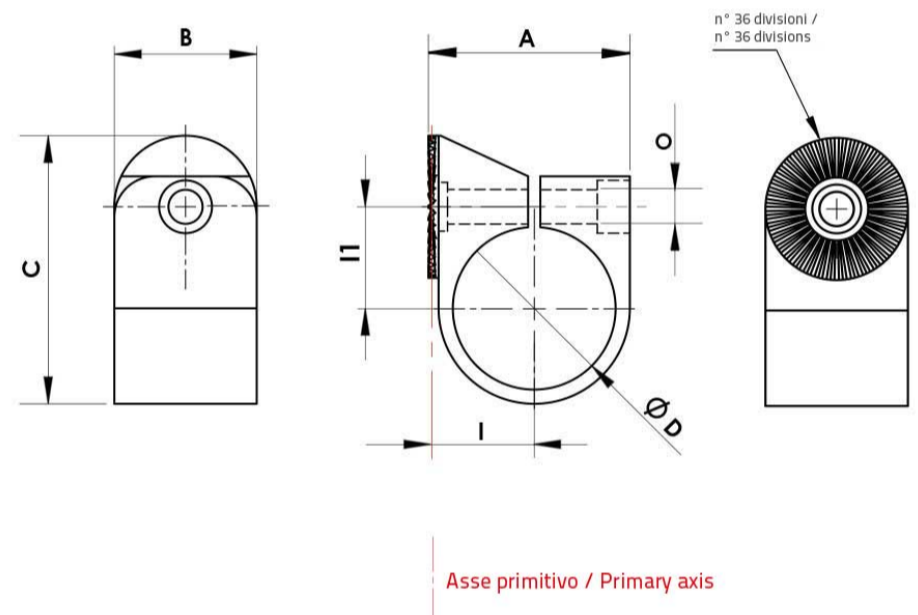
3D download

[To download, please login >>](#)

Product image



Technical drawing



Material: Aluminium 6082

Treatment: Gunmetal anodizing

Bolts: excluded

Spring's Code **D12000**: to be ordered separately

Technical data

COD.	A	B	C	ØD	I	I1	O	Weight (kg)
DM25	39,5	35	56	25	21	20	8,5	0,100
DM28	39,5	35	56	28	21	20	8,5	0,090
DM30	39,5	35	56	30	21	20	8,5	0,080
DM40	49,5	35	66	40	25,5	25	8,5	0,105