



IT



[Home](#) / [Products](#) / [Transfer press](#) / [Gear brackets](#) / DMxxDF

Combinations

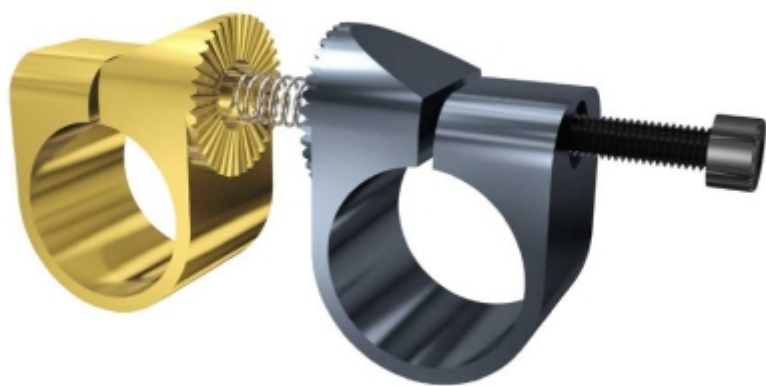
DMxxDF

[Download datasheet](#)

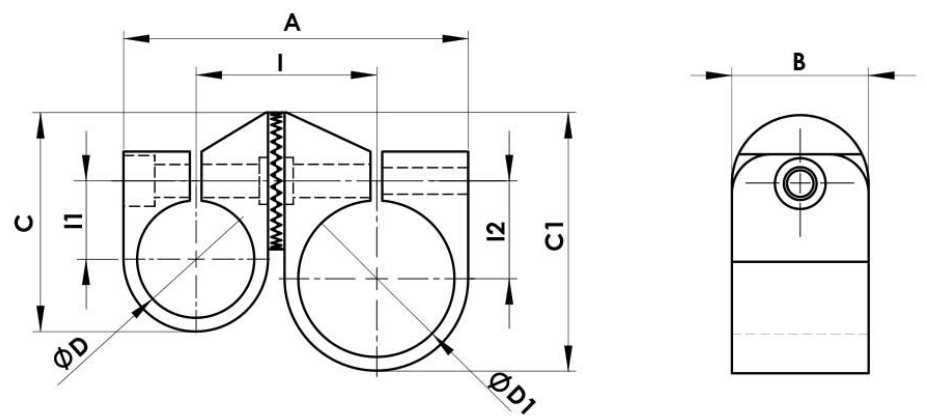
[3D download](#)

[To download, please login >>](#)

Product image



Technical drawing



Material: Aluminium 6082

Treatment: Gold and gunmetal anodizing

Bolts: included

Technical data

DM25DF25	78	35	56	56	25	28	41	20	20	0,190
	78	35	56	56	25	28	41	20	20	0,190
	78	35	56	56	25	30	41	20	20	0,180
	78	35	56	56	28	30	41	20	20	0,170
	78	35	56	56	30	30	41	20	20	0,160
	88	35	66	56	40	25	46	25	20	0,205
	88	35	66	56	40	28	46	25	20	0,195