

COUNTER /TIMER

| | | |
|---------------|------------------------------|---------------|
| DHC10J | DIGITAL COUNTER/TIMER | DHC10J |
|---------------|------------------------------|---------------|

Specifications

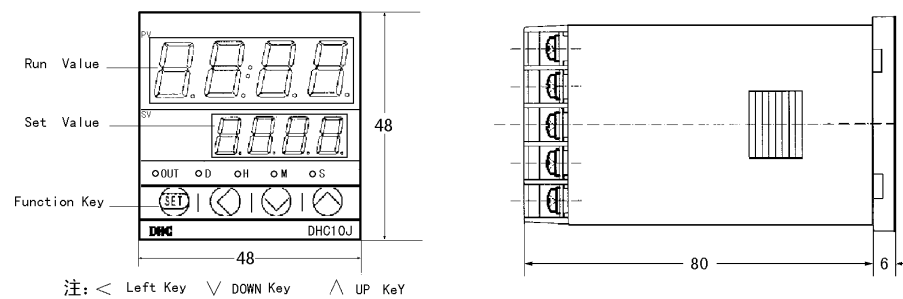
| | | | |
|------------------------|---|-----------------|------------|
| Power supply | AC/DC100~240V | Memory backup : | ≥ 10 years |
| Contacts output | 3A AC250V (COSφ=1) | Panel cutout: | 45×45mm |
| Mechanically life: | ≥10 ⁷ | Weight: | ABT0.12Kg |
| Reset : | MIN. pulse width for external reset;1~20ms, Manual reset, power reset: 2s | Temperature: | -5~+40℃ |
| | | Humidity: | 35~85%RH |
| External power supply: | DC12V 50mA(max) | | |

| TIMER SPECIFICATIONS | | COUNTER SPECIFICATIONS | |
|----------------------|--------------|------------------------|-------------------------------|
| Timer rang : | 0.01S~99h59m | Count rang: | 0~9999 |
| Error: | ≤ 0.01%+0.s | Counting speed: | 16.7mS (30cps) |
| Reset by power off: | 1s | | 1mS (500cps) |
| MODE | A3 MODE | Input signal: | No voltage input: 4.7KΩ MAX |
| | E3 MODE | | Volt INPUT: L=0~2V H=4~30V |

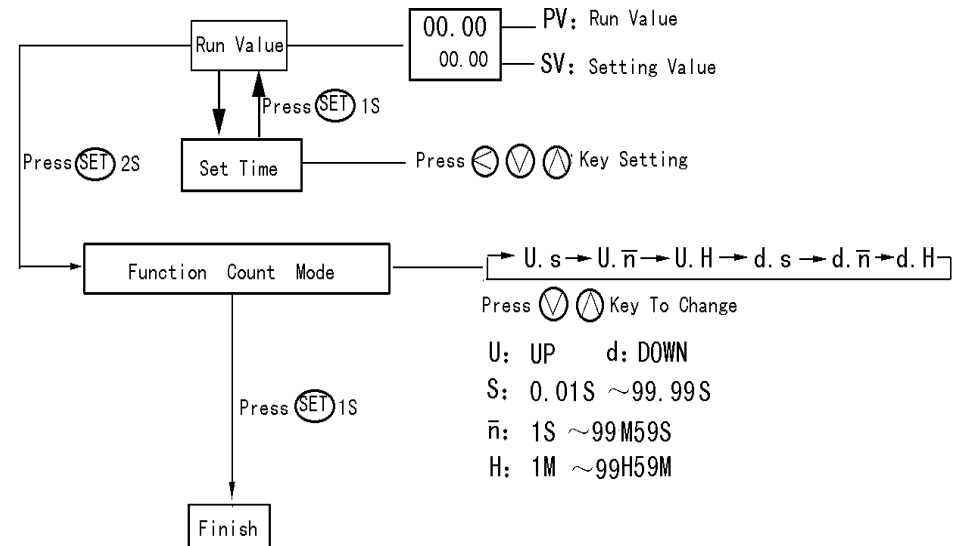
Counter/Timer Functions

| Switch | ON | OFF |
|-----------|-------------------------|-------------------------|
| K1 | TIMER E3 MODE, PHOTO(1) | TIMER A3 MODE, PHOTO(2) |
| K2 | Counter | Timer |

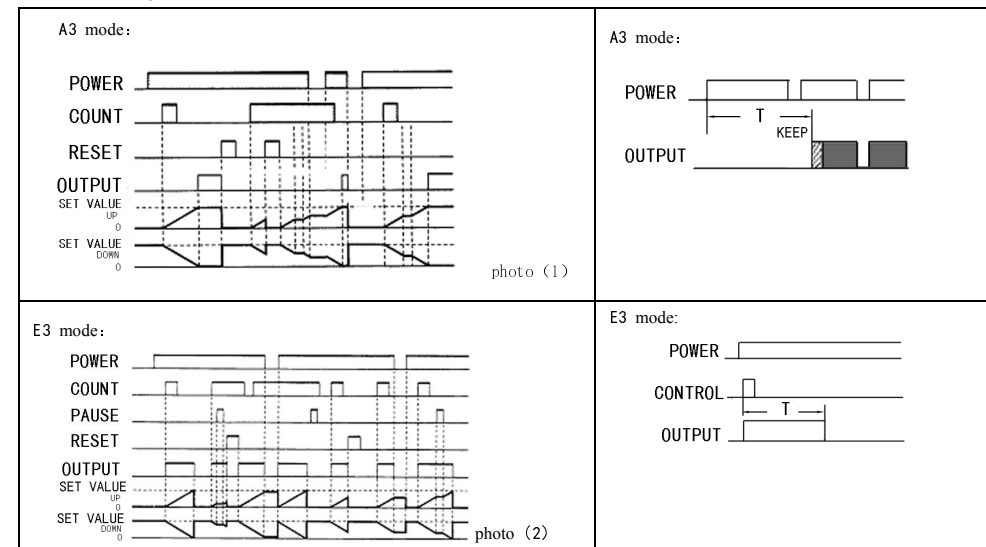
Dimension



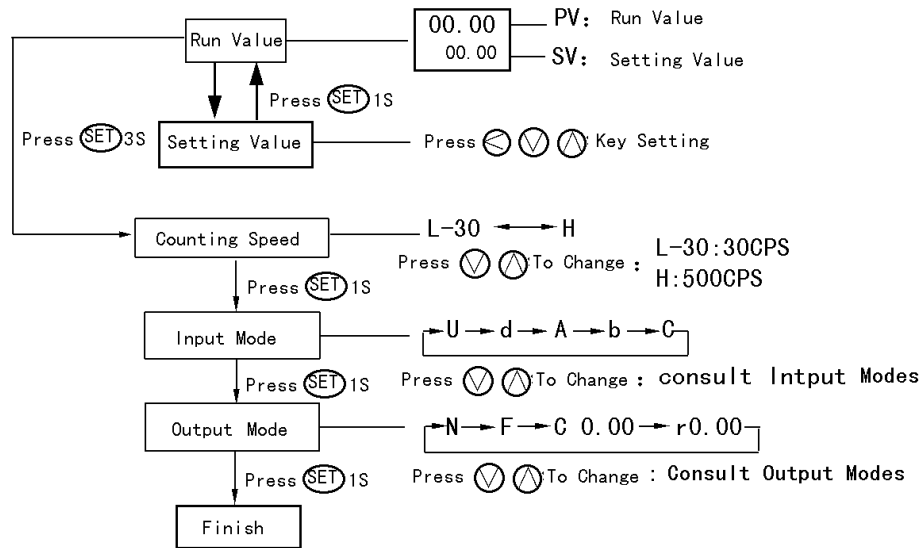
Timer setting (K2 OFF)



Timer operation modes



Counter setting (K2 ON)

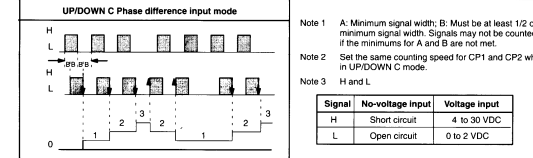
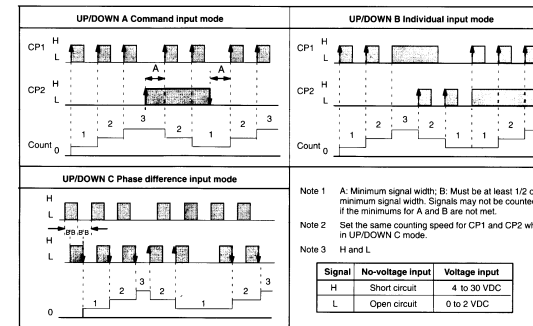
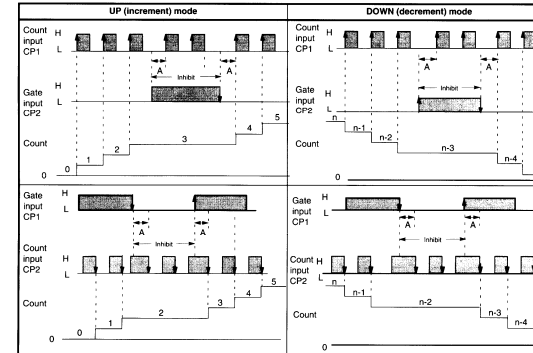


Count output mode

| | |
|--|---|
| N MODE: Outputs and present value display are maintained until reset. | F MODE: Present value display runs continuously. Outputs are maintained until reset. |
| | |
| C MODE: Present value is placed in reset status as soon as count up is reached. The count up is not displayed. Outputs are 1-shot and operate repeatedly. | R MODE: Present value is placed in reset status as soon as count up is reached. Outputs are 1-shot and operate repeatedly. |
| | |

Count input mode

Input Modes and Count Value



Note 1: A: Minimum signal width; B: Must be at least 1/2 of minimum signal width. Signals may not be counted if the minimums for A and B are not met.

Note 2: Set the same counting speed for CP1 and CP2 when in UP/DOWN C mode.

Note 3: H and L

| Signal | No-voltage input | Voltage input |
|--------|------------------|---------------|
| H | Short circuit | 4 to 30 VDC |
| L | Open circuit | 0 to 2 VDC |

Connections

