

Solid State Auto Switch Direct Mounting Style D-F8N/D-F8P/D-F8B



Refer to SMC website for the details of the products conforming to the international standards.

Auto Switch Specifications

PLC: Programmable Logic Controller

D-F8□ (With indicator light)			
Auto switch model	D-F8N	D-F8P	D-F8B
Electrical entry direction	Perpendicular	Perpendicular	Perpendicular
Wiring type	3-wire		2-wire
Output type	NPN	PNP	—
Applicable load	IC circuit, 24 VDC Relay, PLC		24 VDC relay, PLC
Power supply voltage	5, 12, 24 VDC (4.5 to 28 VDC)		
Current consumption	10 mA or less		
Load voltage	28 VDC or less	—	24 VDC (10 to 28 VDC)
Load current	40 mA or less	80 mA or less	2.5 to 40 mA
Internal voltage drop	1.5 V or less (0.8 V or less at 10 mA load current)	0.8 V or less	4 V or less
Leakage current	100 μA or less at 24 VDC		0.8 mA or less at 24 VDC
Indicator light	Red LED illuminates when turned ON.		
Standard	CE marking		

- Lead wires — Oilproof heavy-duty vinyl cord, $\phi 2.7$
D-F8N, D-F8P 0.15 mm² x 3 cores (Brown, Black, Blue)
D-F8B 0.18 mm² x 2 cores (Brown, Blue)

Note 1) Refer to page 1272 for solid state auto switch common specifications.

Note 2) Refer to page 1272 for lead wire lengths.

Grommet

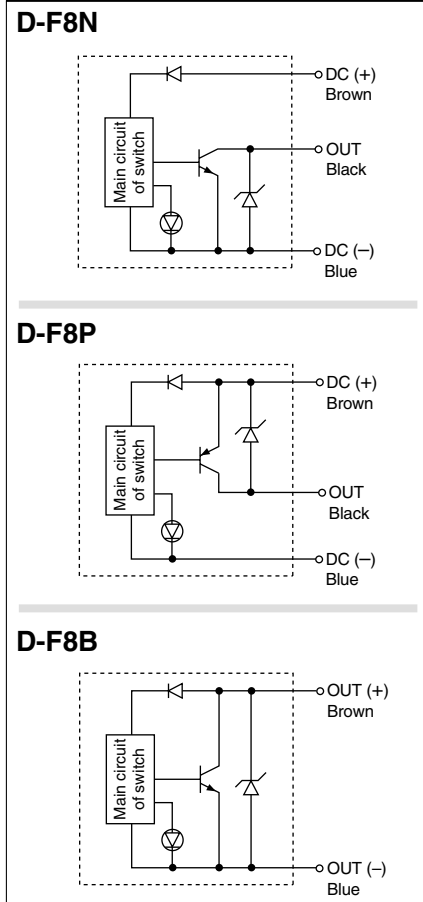


Caution

Precautions

Fix the auto switch with the existing screw installed on the auto switch body. The auto switch may be damaged if a screw other than the one supplied is used.

Auto Switch Internal Circuit



Mass

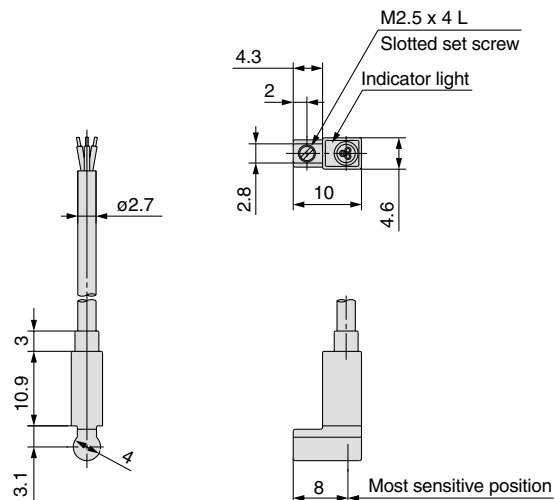
(g)

Auto switch model	D-F8N	D-F8P	D-F8B
Lead wire length (m)	0.5	7	7
	3	32	32
	5	52	52

Dimensions

(mm)

D-F8N/D-F8P/D-F8B



D-□