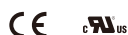




## CZ-V21AP

Amplifier Unit, Main Unit, PNP



## Specifications

Model	CZ-V21AP*1	
Output	PNP output	
Main unit/expansion unit	Main unit	
Response time	200 $\mu$ s (HIGH SPEED) /1 ms (FINE) /4 ms (TURBO) /8 ms (SUPER)	
Control output	PNP open-collector x 4 channels, 30 VDC max., Up to 100 mA for one output, Up to 200 mA in total of 4 outputs, Residual voltage: 1.0 V max.*2	
Protection circuit	Reverse-polarity protection, overcurrent protection, surge absorber	
External tuning input, external bank switch input (C/C + I-mode), external shift input (super I-mode)	Input time: 20 ms min.	
Timer function	Timer OFF/OFF-delay/ON-delay/One-shot, Timer time: 1 to 1000 ms adjustable (for each bank respectively)	
Unit expansion	Up to 3 units (4 units total including the main unit)	
Number of interference prevention units	0 for HIGH SPEED; 2 for FINE/TURBO/SUPER	
Rating	Power voltage	24 VDC, Ripple (P-P) 10 % or less
	Power consumption	Normal mode: 1.5 W (62.5 mA or less), Eco-mode: 1 W (42.0 mA or less)
Environmental resistance	Ambient temperature	-10 to +55 °C <b>14 to 131 °F</b> (No freezing)*3
	Vibration resistance	10 to 55 Hz, Double amplitude 1.5 mm <b>0.06"</b> , 2 hours in each of the X, Y, and Z axis
Material	Housing, cover: Polycarbonate	
Accessories	Mounting Fittings	
Weight	Approx. 110 g	

\*1 The expansion unit of the FS-V20 Series cannot be connected to the main unit of the CZ-V20 Series. To connect the FS and CZ Series units, connect the expansion unit of the CZ-V20 Series to the main unit of the FS-V20 Series.

To connect two or more expansion units, connect the CZ-V20 Series units on the right of the FS-V20 Series units.

\*2 20 mA max. when several units are connected.

\*3 When several units are connected, the acceptable ambient temperature varies depending on the conditions given below. To connect several units, be sure to mount them to a DIN rail and to limit the output current to a maximum of 20 mA.

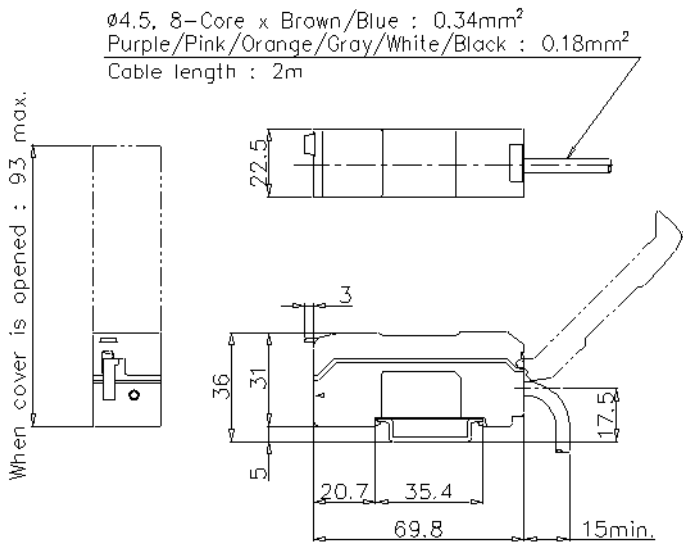
When 1 or 2 units are connected: -10 to +50 °C **14 to 122 °F**

When 3 units are connected: -10 to +45 °C **14 to 113 °F**

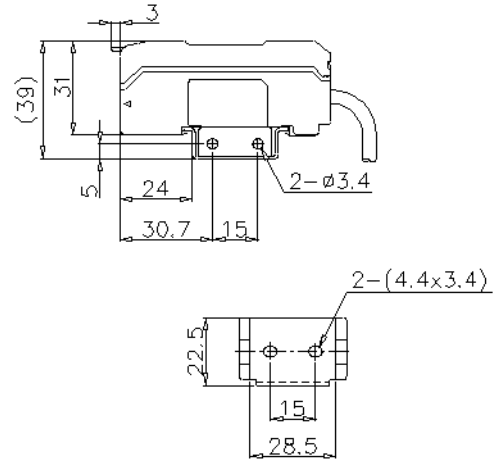
# Dimensions

\* Download CAD file or product manual for larger image/text and more detail.

CZ-V21



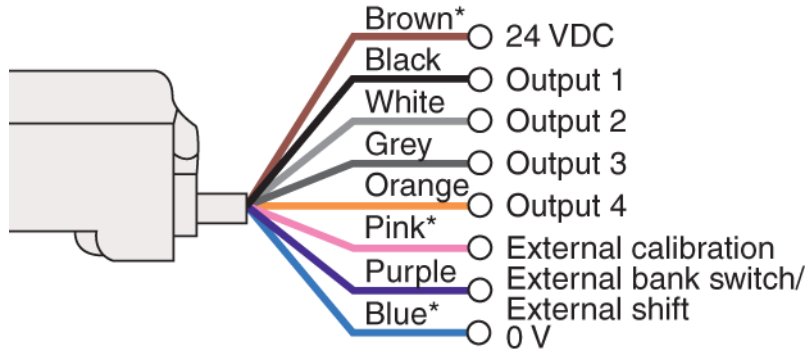
When mounting bracket is attached  
(Included in CZ-V21A,CZ-V21AP)



# I/O Circuit Connection diagram

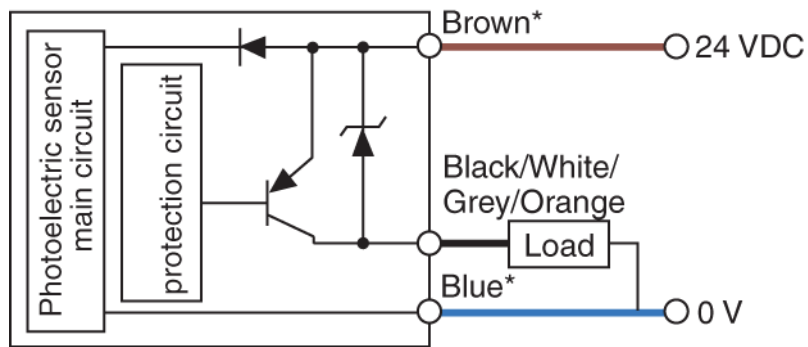
\* Download CAD file or product manual for larger image/text and more detail.

## Connection



\* Only for CZ-V21A/V21AP

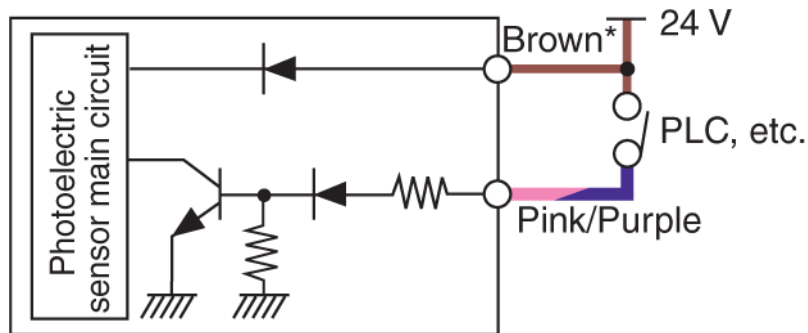
## Output circuit PNP



\* Only for CZ-V21AP

## Input circuit

• External calibration (Pink) • External bank switch/External shift (Purple) PNP



\* Only for CZ-V21AP