



CZ-H37S

Reflective Sensor Head with Shine Cancellation, Small Spot



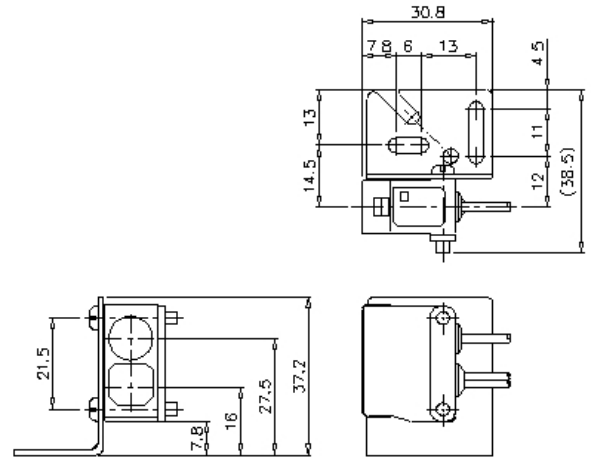
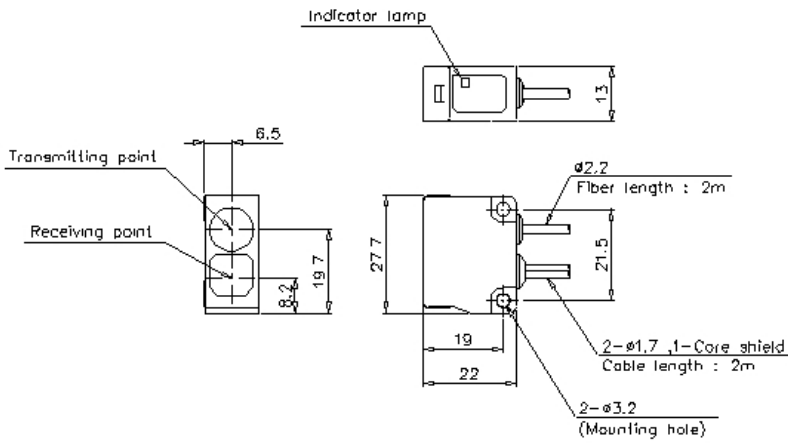
SPECIFICATIONS

Model	CZ-H37S	
Type	Luster-cancel, small beam spot	
Detecting area	11 to 20 mm 0.43" to 0.79" (Recommended: 15 mm 0.59")	
Smallest spot diameter	1 mm 0.04" dia. at reference distance of 16 mm 0.63"	
Light source	Red LED (665 nm)/Green LED (520 nm)/Blue LED (465 nm)	
Minimum bend radius of fiber	15 mm 0.59"	
Environmental resistance	Enclosure rating	IP40
	Ambient light	Incandescent lamp: 10,000 lux max., Sunlight: 20,000 lux max.
	Ambient temperature	-10 to +55 °C 14 to 131 °F (No freezing)
	Vibration resistance	10 to 55 Hz, Double amplitude 1.5 mm 0.06", 2 hours in each of the X, Y, and Z axis
Material	Housing: Triacetate, Polyarylate (Metal section: TYPE 304 stainless steel) , Lens cover: Fiberglass reinforced plastic	
Weight	Approx. 45 g	

Dimensions

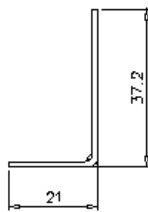
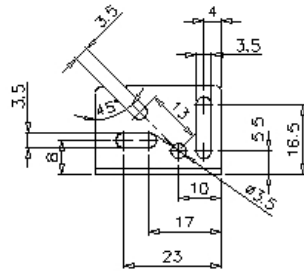
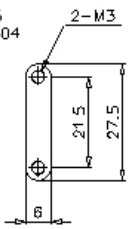
CZ-H37S

When mounting bracket is attached



Mounting bracket

1=1.5
SUS304



1=1.2
SUS304

