



CZ-H35S

Reflective Sensor Head with Shine Cancellation

CE

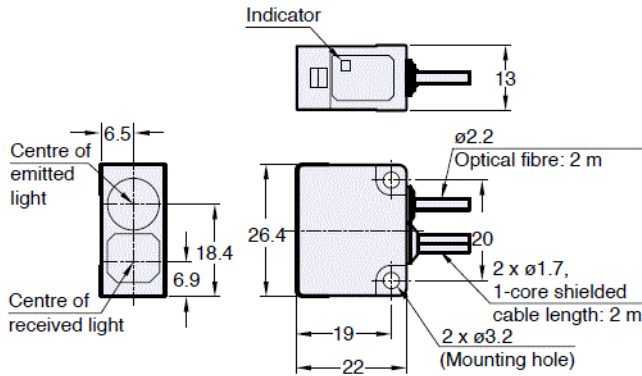
Specifications

Model	CZ-H35S	
Type	Luster cancel	
Detecting area	28 to 52 mm 1.10" to 2.05" (Recommended: 40 mm 1.57")	
Smallest spot diameter	4.5 mm 0.18" dia. at reference distance of 40 mm 1.57"	
Light source	Red LED (665 nm)/Green LED (520 nm)/Blue LED (465 nm)	
Minimum bend radius of fiber	25 mm 0.98"	
Environmental resistance	Enclosure rating	IP40
	Ambient light	Incandescent lamp: 10,000 lux max., Sunlight: 20,000 lux max.
	Ambient temperature	-10 to +55 °C 14 to 131 °F (No freezing)
	Vibration resistance	10 to 55 Hz, Double amplitude 1.5 mm 0.06", 2 hours in each of the X, Y, and Z axis
Material	Housing : Triacetate, Polyarylate (Metal section: TYPE 304 stainless steel) , Lens cover : Fiberglass reinforced plastic	
Weight	Approx. 40 g	

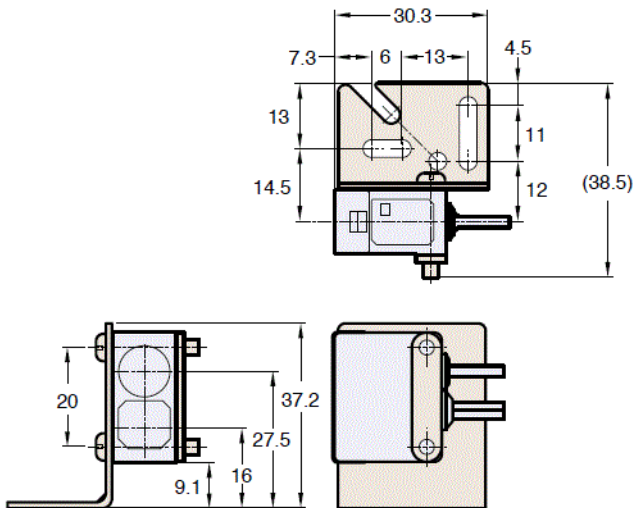
Dimensions

* Download CAD file or product manual for larger image/text and more detail.

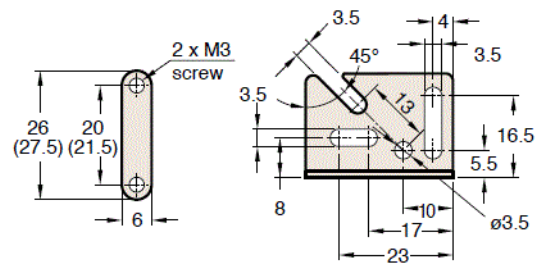
CZ-H35S



When a mounting bracket is attached

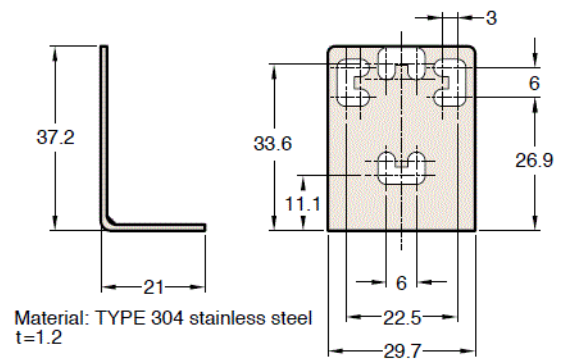


Mounting bracket
(Supplied with the CZ-H32, H35S, and H37S)



Material: TYPE 304 stainless steel
t=1.5

The figures in parentheses apply to CZ-H37S only.



Material: TYPE 304 stainless steel
t=1.2

Supplied screw: 20 x M3 screws (2)