



CZ-H32

Reflective Sensor Head, Variable Spot



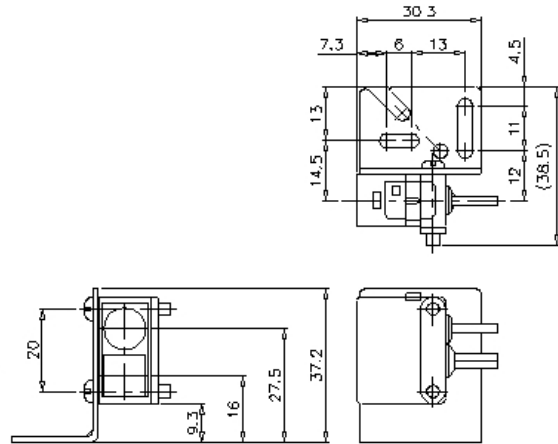
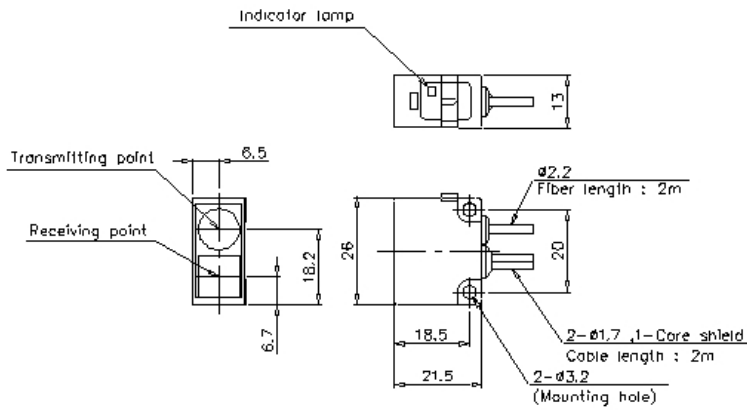
SPECIFICATIONS

Model	CZ-H32	
Type	Adjustable spot	
Detecting area	50 to 95 mm 1.97" to 3.74" (Recommended: 70 mm 2.76")	
Smallest spot diameter	Small: 3 mm 0.12" dia. Medium: 4.5 mm 0.18" dia. Large: 5.5 mm 0.22" dia. at respective reference distance ^{*1}	
Light source	Red LED (665 nm)/Green LED (520 nm)/Blue LED (465 nm)	
Minimum bend radius of fiber	25 mm 0.98"	
Environmental resistance	Enclosure rating	IP40
	Ambient light	Incandescent lamp: 10,000 lux max., Sunlight: 20,000 lux max.
	Ambient temperature	-10 to +55 °C 14 to 131 °F (No freezing)
	Vibration resistance	10 to 55 Hz, Double amplitude 1.5 mm 0.06", 2 hours in each of the X, Y, and Z axis
Material	Housing: Fiberglass reinforced plastic, Lens cover: Polyarylate	
Weight	Approx. 40 g	
*1 Reference distance: 65 mm 2.56" for Small, 60 mm 2.36" for Medium, and 50 mm 1.97" for Large		

Dimensions

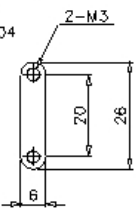
CZ-H32

When mounting bracket is attached



Mounting bracket

t=1.5
SUS304



t=1.2
SUS304

